

Indirect™ – INDF

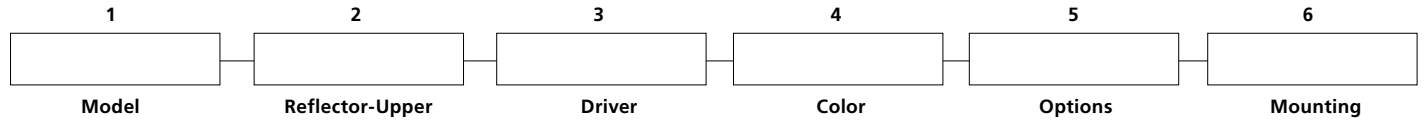
TYPE

- Available with highly efficient LEDs
- Lightweight aluminum upper reflector minimizes pole stress
- Stainless steel vertical struts
- Round or square upper reflectors available
- Reflector tilts and locks at 0, 15 or 30 degrees
- Powder coat finish in 13 standard colors with a polymer primer sealer



INDF

ORDERING CODE



1. LUMINAIRE

Slips over a 5"/127mm O.D. pole.
INDF (Fixed head)

2. REFLECTOR - UPPER (30 inch upper reflector)

RD (Round) SQ (Square)

3. LED

LED (30 LEDs, 33 watts, Warm white (3000K), Neutral white (4000K), Bright white (5000K), 120 thru 277 volt)
30LED-WWW (Warm white)
30LED-NW (Neutral white)
30LED-BW (Bright white)

4. COLOR

BLS	Black Gloss Smooth	
BLT	Black Matte Textured	
DBS	Dark Bronze Gloss Smooth	
DBT	Dark Bronze Matte Textured	
GTT	Graphite Matte Textured	
LGS	Light Grey Gloss Smooth	
LGT	Light Grey Matte Textured	
PSS	Platinum Silver Gloss Smooth	
VGT	Verde Green Matte Textured	
WHS	White Gloss Smooth	1 Consult factory for custom color, marine and corrosive finish options
WHT	White Matte Textured	
CC 1	Custom Color	

5. OPTIONS

SCP (Sensor Control Programmable) pole accessory is available to provide occupancy detection for outdoor applications meeting California Title 24. For complete spec sheet and ordering information, visit www.aal.net/products/sensor_control_programmable/

6. MOUNTING

WALL MOUNT
WMA (10 lbs. EPA: 0.68)
POLE MOUNT
PMAT (Twin pole mount arm, slips over a 4"/100mm O.D. pole or tenon, 14 lbs. EPA: 0.83)

SPECIFICATIONS

UPPER REFLECTOR

The upper reflector shall be a light weight aluminum. The reflector shall be finished in a white, fluoropolymer finish. The reflector shall be attached to the cast aluminum pivot joints and secured with four stainless steel bolts. Two cast aluminum, adjustable knuckles shall connect the reflector assembly to the vertical, stainless steel struts. The struts are #304 stainless steel with a minimum .250" wall thickness. The struts shall have threaded connections for attachment to the upper reflector and the lamp module.

REFLECTOR ADJUSTMENT

The Indirect upper reflector can be tilted 15 or 30 degrees for an asymmetrical light distribution. The locking clamp design ensures a consistent tilt angle on all fixtures.

LED MODULE

The optical system shall be enclosed in cast aluminum housing. The front cover is secured with four cap screws for relamping and internal access. The front glass element is clear, tempered glass. The front cover and electrical module are sealed with memory retentive, molded silicone gaskets.

HOUSING

The INDF post top models shall slip over a 5"/127mm O.D. pole.

See next page



ARCHITECTURAL AREA LIGHTING
17760 Rowland Street | City of Industry | CA 91748
P 626.968.5666 | F 626.369.2695 | www.aal.net
Copyright © 2014 November 10, 2020 3:49 PM

JOB	_____
TYPE	_____
NOTES	_____

ELECTRICAL MODULE

The driver assembly is mounted on a prewired plate with a quick disconnect plug.

CONTROLS

SCP shall have an integral surge protection device with a current rating of 10,000 Amps using the industry standard 8/20uSec wave and surge rating of 372J. Sensor not intended for use with additional photo-control, wireless control or dimming systems.

FINISH

Fixture finish consists of a five stage pretreatment regimen with a polymer primer sealer, oven dry off and top coated with a thermoset super TGIC polyester powder coat finish. The finish shall meet the AAMA 605.2 performance specification which includes passing a 3000 hour salt spray test for corrosion resistance.

The reflector shall be painted white. The vertical struts are stainless steel. All other fixture parts shall be finished in the same specified color.

CERTIFICATION

The fixture shall be listed with ETL and U.L. for outdoor, wet location use, UL1598 and Canadian CSA Std. C22.2 NO.250.

This product qualifies as a "designated country construction material" per FAR 52.225-11 Buy American-Construction Materials under Trade Agreements effective 6/06/2020. [See Buy American Solutions.](#)

EPA: INDF

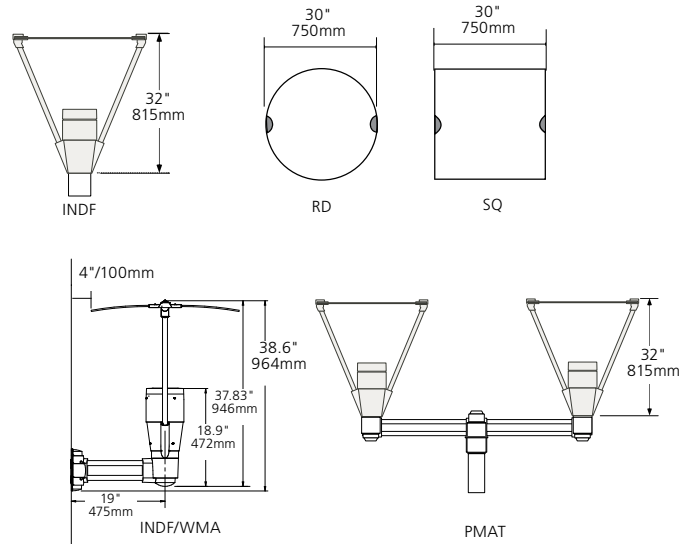
- round upper reflector/ 0° tilt: 3.65
- square upper reflector/ 0° tilt: 4.40
- round upper reflector/ 30° tilt: 6.52
- square upper reflector/ 30° tilt: 6.62

WARRANTY / TERMS AND CONDITIONS OF SALE

Download: <http://www.hubbellighting.com/resources/warranty/>

AAL reserves the right to change product specifications without notice.

DIMENSION



INDF 30LED BW

WATTAGE: 33 LUMEN OUTPUT: 1153 EFFICACY: 34.9 Lm/W

B1 U2 G1

FORWARD LIGHT LUMEN

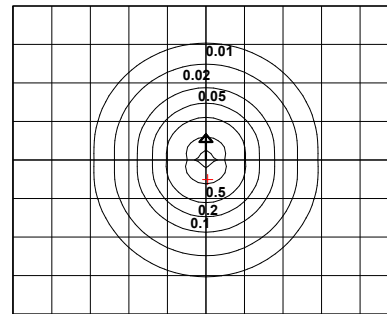
FL	30°	9.6%	111
FM	60°	25.4%	293
FH	80°	11.9%	138
FVH	90°	1.9%	22

BACK LIGHT

BL	30°	10.2%	118
BM	60°	25.6%	296
BH	80°	11.9%	138
BVH	90°	1.9%	22

UPLIGHT

UL	100°	0.3%	4
UH	180°	1.0%	12



UPLIGHT 1.3%
DOWNLIGHT 98.7%

14' MOUNTING HEIGHT

[IES files can be found at www.aal.net](http://www.aal.net)

INDF

WT: 31.5 lbs

EPA:

INDF-SQ Sail:

0° = 0.93

15° = 2.50

30° = 4.24

INDF-RD Sail:

0° = .69

15° = 2.12

30° = 3.51



ARCHITECTURAL AREA LIGHTING
17760 Rowland Street | City of Industry | CA 91748
P 626.968.5666 | F 626.369.2695 | www.aal.net
Copyright © 2014 November 10, 2020 3:49 PM

JOB _____
TYPE _____
NOTES _____