

FEATURES

- Integral Motion Sensor
- Staggered twin mounting
- ANSI C136.31-2010 4G Rated
- IES Type II, III and IV distributions
- 3000K , 4000K, 5000K CCT
- Integral thermal protection



3000K and warmer CCTs only

See Certification Specifications

SPECIFICATIONS

CONSTRUCTION

- Housing shroud is made of fabricated 5052-H32 aluminum alloy with a rear mounting interface that is made of fabricated 304 stainless steel
- Housing mounting interface is a stamped silicone gasket
- Luminaire housing is free of any visible heat fins, hardware or fasteners
- Bracketry and hardware is made of stainless steel
- Base is made of cast aluminum #356 alloy and heat treated to a T-6 condition
- Shaft is extruded aluminum 6061 alloy and heat treated to a T-6 condition
- Anchor bolts are hot dip galvanized steel. Eight galvanized hex nuts and flat washers, and a bolt circle template are provided. Anchor bolt for poles are 3/4" x 24" x 3"
- Luminaire finish consist of a five stage pretreatment regimen with a polymer primer sealer, oven dry off, and top coated with a thermoset super TGIC polyester powder coat finish
- Luminaire finish meets the AAMA 605.2 performance specification which includes passing a 3000 hour salt spray test for corrosion resistance

LED/OPTICS

- LEDs are mounted to a metal printed circuit board assembly (MCPCB) with a uniform conformal coating over the panel surface and electrical features
- Optical lenses is made of clear injection molded PMMA acrylic
- Each MCPCB and optic are sealed to an extruded 6063-T6 aluminum alloy heat spreader and sealed with a continuous one piece injection molded silicone rubber gasket. IP66

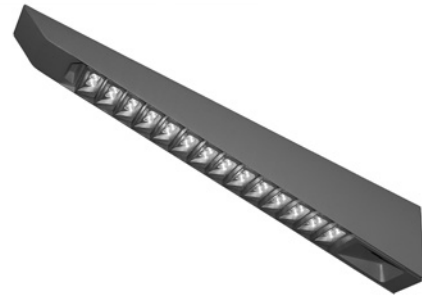
LED/OPTICS (CONTINUED)

- Patent Pending design of optical array is independently shielding each LED optic across the length of the aperture
- Optical surfaces are painted white unless the optional fixture finish (FO) or matte black finish (MO) is selected
- Optional matte black finish optics (MO) are required to meet UO classification with zero percent uplight
- Optional fixture finish optical surfaces (FO) do not exceed BUG ratings of the standard white finish and will be greater than or equal to the delivered lumens of the optional matte black optical surface finish (MO)

INSTALLATION

- Integral pole mount luminaires require assembly of fixture(s) to the pole, mounting hardware, anchor bolts and anchor bolt template is included. See page 6 for additional considerations specific to the integral pole
- Tenon mount luminaires require assembly of fixture(s) to the tenon adapter, mounting hardware is included. Tenon adapter secures to the tenon with eight 5/16-18 stainless steel set screws
- Side mount luminaires are supplied with hardware compatible with AAL mountings.
- Twin mounted staggered height fixtures are configured separately
- Service access to the optical array and driver assembly is via a tool-less internal latch and have an audible click.
- Optical array has to hang freely in an open service position for inspection of internal wire connections. Once in service position, the optical array is able to be removed for service by lifting the assembly up off the rear hinge and disconnecting the wiring plugs.
- Driver assembly is mounted to a prewired internal tray with quick disconnects for removal

KICK™



Kick Small

RELATED PRODUCTS

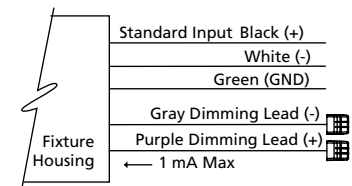
[ØK5](#)

[ØKM5](#)

[ØKB6](#)

ELECTRICAL

- Drivers are in direct contact with the aluminum housing across the entire surface area of the widest face for maximum thermal transfer
- Luminaires have integral surge protection that is U.L. recognized and have a surge current rating of 10,000 Amps using the industry standard 8/20uSec wave and surge rating of 372J. Surge protection device is wired in series
- Drivers are U.L. recognized
- Drivers are not compatible with current sourcing dimmers, consult factory for current list of known compatible dimming systems approved dimmers include Lutron Diva AVTV, Lutron Nova NFTV and NTFTV
- Luminaire are capable of operating at 100% brightness in a 40°C environment. Both driver and optical array have integral thermal protection that will dim the luminaire upon detection of temperatures in excess of 85°C
- Luminaires not configured with a control system or ANSI C136 receptacle option are provided with 0-10 purple and gray dimming leads



continued on page 3

KEY DATA	
LUMEN RANGE	3,820–7,691
WATTAGE RANGE	46–64
EFFICACY RANGE (LPW)	79–120
WEIGHT	15 lbs 6.8 kg
EPA	1.03

ORDERING GUIDE

Example: K41-T2-FO-5040-MCPCR-SF-347-PS412-125-SBC-BLT

CATALOG #

Model (4" wide luminaire)	Optics (Distribution)	Optics Finish	Light Engine ¹	Control
K41 Single Fixture	T2 IES Type II	WO Standard White Finish	5030 3000K CCT, CRI 70, 46 Watts	MCPCR Multi-Channel 7-Pin Photocell Receptacle
K42 Two Fixtures 180° Apart	T3 IES Type III	FO Optics in Fixture Finish	5040 4000K CCT, CRI 70, 46 Watts	WIR wiScape Connectivity Ready
K43 Three Fixtures 90° Apart	T4 IES Type IV	MO Optics in Matte Black Finish	5050 5000K CCT, CRI 70, 46 Watts	WIRSC wiScape + Motion Sensor
K44 Four Fixtures 90° Apart			7030 3000K CCT, CRI 70, 64 Watts	SCP Motion Sensor + Photocell ²
			7040 4000K CCT, CRI 70, 64 Watts	SWP SiteSync Pre-commissioned ³
			7050 5000K CCT, CRI 70, 64 Watts	SWF SiteSync Field Commission ³
				SWPM SiteSync Pre-commissioned + Motion Sensor ³
				SWFM SiteSync Field Commission + Sensor ³
				SCPREMOTE Handheld Commissioning Tool ²
				SWUSB SiteSync loaded on USB flash drive (Windows® operating system only ⁴
				SWTAB SiteSync Window® based Tablet ⁴
				SWBRG SiteSync Wireless Bridge Node ⁴
				SW7PR SiteSync 7 Pin on fixture module On/Off/Dim, Daylight Sensor 120-480VAC

Fuse (may choose one)	Voltage	Mounting	Mounting Options	Fixture Finish
SF 120, 277, 347 Volt Input	120-277V 120-277V	Integral Pole	Twin mount at staggered heights	Standard Color
DF 208, 240, 480 Volt Input	347 347V	PS410-125 10' Luminaire Height	Mounting holes for a fixture at 180°, K41-...PS4... only, may choose one	BLS Black Gloss Smooth
	480 480V	PS412-125 12' Luminaire Height	TS8 8' from bottom	BLT Black Matte Textured
		PS414-125 14' Luminaire Height	TS10 10' from bottom	DBS Dark Bronze Gloss Smooth
		PS416-125 16' Luminaire Height	TS10 10' from bottom	DBT Dark Bronze Matte Textured
		PS418-125 18' Luminaire Height	TS12 12' from bottom	GTT Graphite Matte Texture
		PS420-125 20' Luminaire Height	TS14 14' from bottom	LGS Light Grey Gloss Smooth
		Tenon Mount	TS16 16' from bottom	LGT Light Grey Matte Textured
		TA23 Slips over a 2 3/8" / 60mm Ø x 4" / 102mm tall tenon	TS18 18' from bottom	PSS Platinum Silver Gloss Smooth
		Side Mount	Base Options	VGT Verde Green Matte Textured
		SMK Mounts to the side of a square pole, K41 only	SBC Standard Base Cover	WHS White Gloss Smooth
		Wall Mount	Pole Accessories(may choose one)	WHT White Matte Textured
		WMK K41 only	GFI GFCI receptacle, 24" from top of pole	CC Custom Color ⁵
			RBC Duplex receptacle box with clear cover, wiring device(s) not included	

Notes:

- 595nm monochromatic amber and or custom lumen package available by request
- Handheld commissioning tool is required to separately configure or adjust any number of SCP sensors
- Specify group and zone at time of order. See www.hubbellighting.com/sitesync for more details. Order at least one SiteSync interface accessory SWUSB or SWTAB. Each option contains SiteSync License, GUI, and Bridge Node
- When ordering with SiteSync, one of the following interface options must be chosen and ordered separately. Each option contains the SiteSync License, GUI and Bridge Node
- Consult factory for custom color, marine and corrosive finish

DATE:	LOCATION:
TYPE:	PROJECT:
CATALOG #:	

SPECIFICATIONS (CONTINUED)

MODEL	HEIGHT OVERALL	POLE	SHAFT SECTION	WT	MAXIMUM ALLOWABLE EPA (MPH)							
					85	90	100	110	120	130	140	150
K4X-PS410-125	10' 7.5" / 3.24m	10'	4" SQ x .125"	28 lbs	15.4	13.5	10.4	8.1	6.4	5.0	4.0	3.1
K4X-PS412-125	12' 7.5" / 3.85m	12'	4" SQ x .125"45	32 lbs	11.8	10.2	7.6	5.7	4.3	3.2	2.3	1.6
K4X-PS414-125	14' 7.5" / 4.46m	14'	4" SQ x .125"	37 lbs	9.1	7.7	5.5	3.9	2.6	1.7	0.95	0.33
K4X-PS416-125	16' 7.5" / 5.07m	16'	4" SQ x .125"	42 lbs	6.9	5.7	3.8	2.3	1.3	0.46	-	-
K4X-PS418-125	18' 7.5" / 5.68m	18'	4" SQ x .125"	48 lbs	4.9	3.9	2.2	0.95	0.01	-	-	-
K4X-PS420-125	20' 7.5" / 6.29m	20'	4" SQ x .125"	53 lbs	3.2	2.2	0.75	-	-	-	-	-

* - Consult factory for thicker shaft profiles and or custom heights not shown above.

CONTROLS

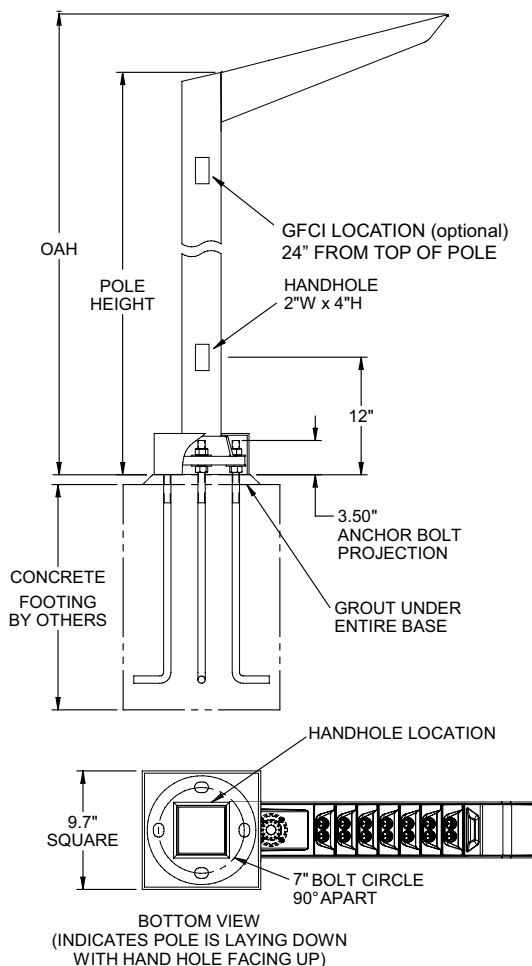
- Wireless enabled fixtures shall support bi-directional radio frequency (RF) communications utilizing IEEE 802.15.4 operating in the 2.4GHZ ISM band.
- Up to 1000' wireless range may be reduced by physical obstructions between lighting fixtures.
- Motion Sensor shall use passive infrared (PIR) sensing technology that reacts to changes in infrared energy (moving body heat) within the coverage area. Careful consideration must be given to obstructions that may block the sensor's line of sight.
- Factory default settings for SCP option shall be:
 - High mode: 10V
 - Low mode: 1V
 - Ramp-up rate: disabled
 - Fade-down rate: disabled
 - Photocell: Off
 - Sensitivity: Full
 - Time Delay: Fade to low: 5 minutes
 - Time Delay: Fade to off: 1 hour

CERTIFICATIONS

- Luminaire is listed with UL for outdoor, wet location use, UL1598, UL 8750 and Canadian CSA Std. C22.2 no.250
- ANSI C136.31-2010 4G Vibration tested and compliant
- IEC 66262 Mechanical Impact Code IK10
- IDA approved, 3000K and warmer CCTs only
- This product qualifies as a "designated country construction material" per FAR 52.225-11 Buy American-Construction Materials under Trade Agreements effective 6/06/2020. [See Buy American Solutions](#)

WARRANTY

- See [HLI Standard Warranty](#) for additional information



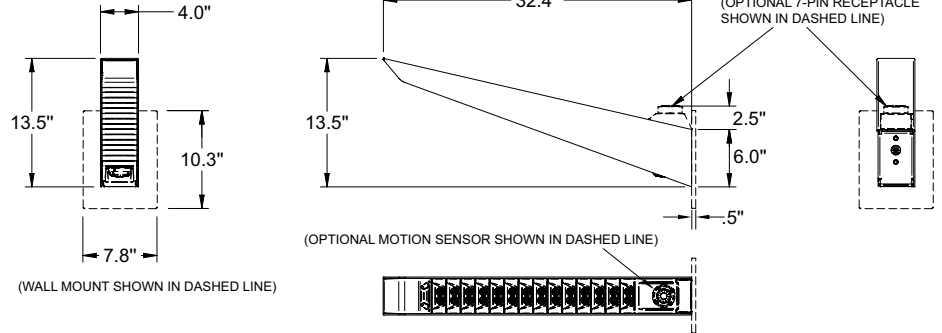
DELIVERED LUMENS

System Watts	Optical Finish	Distribution	Ordering Code	3000K 70CRI					4000K 70CRI					5000K 70CRI				
				Lumen	Bug Rating			Efficacy (Lm/W)	Lumen	Bug Rating			Efficacy (Lm/W)	Lumen	Bug Rating			Efficacy (Lm/W)
					B	U	G			B	U	G			B	U	G	
46	Standard White	Type 2	T2	4999	1	2	1	108	5234	2	2	1	114	5239	1	2	1	113
		Type 3	T3	4895	1	2	1	106	5125	1	2	1	112	5130	1	2	1	111
		Type 4	T4	5207	1	2	1	113	5451	1	2	1	118	5456	1	2	1	118
	Fixture Match	Type 2	T2-FO	3820	1	2	1	83	4010	2	2	1	87	4003	1	2	1	87
		Type 3	T3-FO	3863	1	2	1	84	4044	1	2	1	88	4048	1	2	1	88
		Type 4	T4-FO	4297	1	2	1	93	4524	1	2	1	98	4503	1	2	1	98
	Matte Black	Type 2	T2-MO	3820	1	0	1	83	4000	1	0	1	87	4003	1	0	1	87
		Type 3	T3-MO	3863	1	0	1	84	4045	1	0	1	88	4048	1	0	1	88
		Type 4	T4-MO	4297	1	0	1	93	4499	1	0	1	98	4503	1	0	1	98
64	Standard White	Type 2	T2	6536	2	2	2	102	6775	2	2	2	106	6932	2	2	2	108
		Type 3	T3	6554	1	2	1	102	6795	1	2	1	106	6952	1	2	1	108
		Type 4	T4	7250	2	2	1	113	7516	2	2	2	117	7691	2	2	2	120
	Fixture Match	Type 2	T2-FO	5292	2	2	2	83	5486	2	2	2	85	5614	2	2	2	87
		Type 3	T3-FO	5456	1	2	1	79	5646	1	2	1	82	5788	1	2	1	84
		Type 4	T4-FO	5780	2	2	1	90	5992	2	2	2	94	6131	2	2	2	96
	Matte Black	Type 2	T2-MO	5281	1	0	1	83	5475	2	0	1	86	5602	2	0	1	88
		Type 3	T3-MO	5442	1	0	1	85	5656	1	0	1	88	5773	1	0	1	90
		Type 4	T4-MO	5767	2	0	1	90	5979	2	0	1	93	6117	2	0	1	96

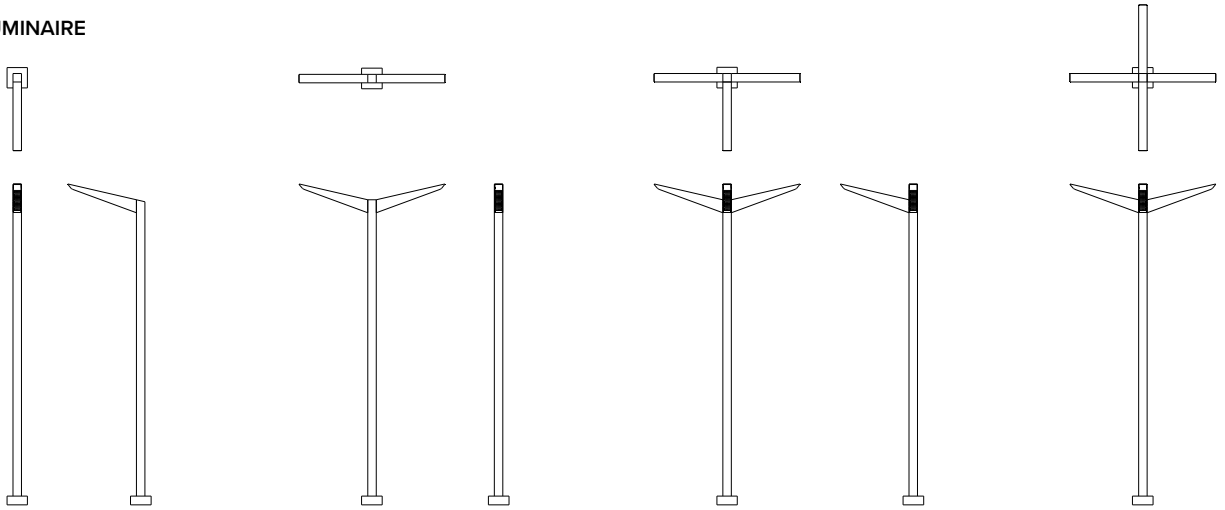
DIMENSIONS

SIDE MOUNTED LUMINAIRE
Mounts to the side of 4"/102mm square pole.

MODEL	K41-...-SMK
OVERALL HEIGHT	13.5" / 343mm
OVERALL LENGTH	32.4" / 823mm
OVERALL WIDTH	4" / 102mm
WEIGHT	15 lbs.
EPA	1.03

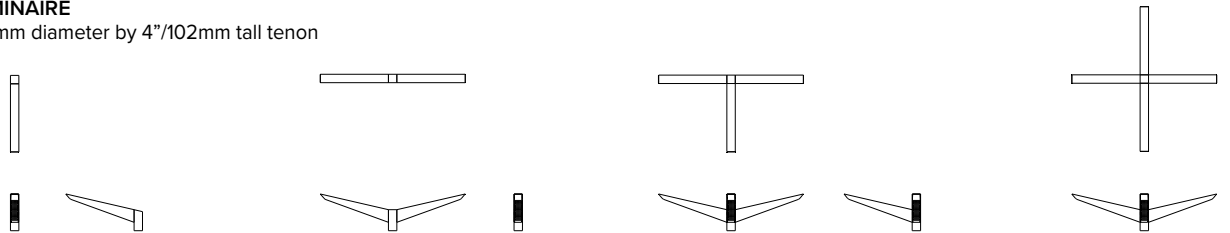


INTEGRAL POLE LUMINAIRE



MODEL	K41-...-PS4XX-125	K42-...-PS4XX-125	K43-...-PS4XX-125	K44-...-PS4XX-125
OVERALL LENGTH	36.4" / 925MM	10" / 254MM	36.4" / 925MM	68.9" / 1750MM
OVERALL WIDTH	10" / 254MM	68.9" / 1750MM	68.9" / 1750MM	68.9" / 1750MM
WEIGHT	15 LBS.	30 LBS.	45 LBS.	60 LBS.
EPA*	1.03	2.06	2.61	2.61

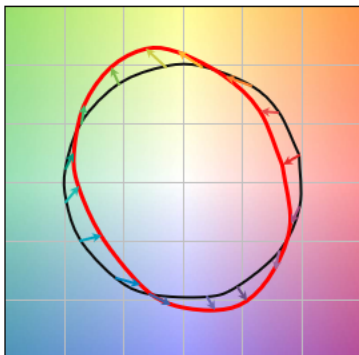
TENON MOUNT LUMINAIRE
Slips over a 2 3/8"/60mm diameter by 4"/102mm tall tenon



MODEL	K41-...-TA23	K42-...-TA23	K43-...-TA23	K44-...-TA23
OVERALL HEIGHT	17.5" / 445MM	17.5" / 445MM	17.5" / 445MM	17.5" / 445MM
OVERALL LENGTH	36.4" / 925MM	10" / 254MM	36.4" / 925MM	68.9" / 1750MM
OVERALL WIDTH	4" / 102MM	68.9" / 1750MM	68.9" / 1750MM	68.9" / 1750MM
WEIGHT	18.5 LBS.	33.5 LBS.	48.5 LBS.	63.5 LBS.
EPA*	1.33	2.42	2.61	2.61

TM-30 DATA

COLOR VECTOR GRAPHIC

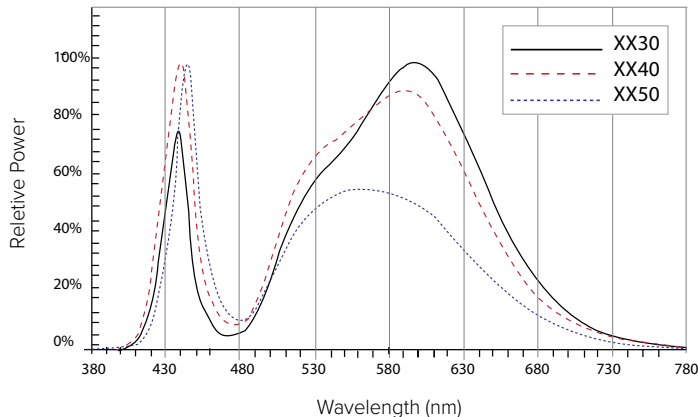


— Reference Illuminant — Test Source

TEST SOURCE

VALUE	ORDERING CODE		
	XX30	XX40	XX50
Rf	69	69	71
Rg	99	99	98
CCT(K)	3122	3852	5020
Duv	0.001	0.0004	0.0005
CIE Ra	74	73	74

SPECTRAL POWER DISTRIBUTION COMPARISON



ELECTRICAL CHARACTERISTICS

ORDERING CODE	LED CURRENT (MA)	SYSTEM WATTAGE (W)	INPUT				MIN. POWER FACTOR	MAX THD (%)	DIMMING RANGE (V)	SOURCE/SINK CURRENT (MA)	INRUSH CURRENT PEAK								
			AMPS AC								HZ	(A)				T@50% (MS)			
			120	277	347	480						120	277	347	480	120	277	347	480
50XX	500	46	0.4	0.17	0.1	0.10	50/60	>0.9	20	0-10	1	15	32	41	63	50	155		
70XX	700	64	0.5	0.23	0.2	0.13						50	155						

TM-21 LIFETIME CALCULATION (500MA)

LUMEN PACKAGE	AMBIENT ENVIRONMENT °C	PROJECTED LUMEN MAINTENANCE (KHRS)					REPORTED L70
		25	50	60 (TM-21)	75	100	
2,500	25	98%	95%	94%	92%	90%	>60Khrs.
	40	98%	96%	95%	93%	91%	

SENSOR DETECTION RANGE

COVERAGE	SCP	SENSOR MOUNTING HEIGHT							RATIO
		8'	10'	12'	14'	16'	18'	20'	
DIAMETER	WIRSC	20'	25'	30'	35'	40'	45'	50'	1:2.5
		16'	20'	24'	28'	32'	36'	40'	1:2

