

Kick™ – K5 Medium Scale

TYPE



FEATURES

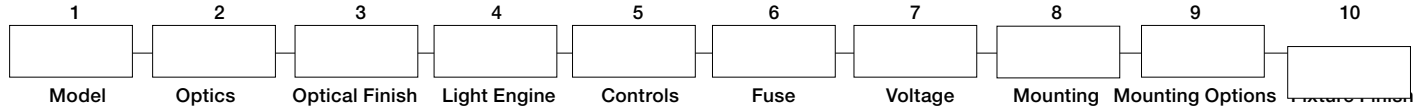
- Integral Motion Sensor
- wiScape enabled
- IDA approved
- 20kV/10kA surge protection
- ANSI C136.41 receptacle
- IES Type II, III and IV distributions
- 3000K, 4000K, 5000K CCT
- Integral thermal protection
- 0-10V dimming ready
- IP66 optical system
- 120-277, 347 and 480VAC input
- Staggered twin mounting
- ANSI C136.31-2010 4G Rated



3000K and warmer CCTs only
M0-XX30 configurations only

See QPL

ORDERING CODE



1. MODEL

5" wide luminaire

- K51 Single fixture
- K52 Two fixtures 180° apart
- K53 Three fixtures 90° apart
- K54 Four fixtures 90° apart

2. OPTICS

Distribution Type, see "Luminaire Performance" on page 3

- T2 IES Type II
- T3 IES Type III
- T4 IES Type IV

3. OPTICAL FINISH

Standard white or may choose one. See

'Luminaire Performance' on page 3 for detail.

- MO Optics in Matte Black finish^{DS}
- FO Optics in fixture finish

4. LIGHT ENGINE

See 'Luminaire Performance' on page 3 for detail, 70 CRI

- 18050 18,000 nominal lumens, 5000K CCT, 174 watts
- 18040 18,000 nominal lumens, 4000K CCT, 174 watts
- 18030 18,000 nominal lumens, 3000K CCT, 174 watts
- 12050 12,000 nominal lumens, 5000K CCT, 122 watts
- 12040 12,000 nominal lumens, 4000K CCT, 122 watts
- 12030 12,000 nominal lumens, 3000K CCT, 122 watts
- 9050 9,000 nominal lumens, 5000K CCT, 87 watts
- 9040 9,000 nominal lumens, 4000K CCT, 87 watts
- 9030 9,000 nominal lumens, 3000K CCT, 87 watts

560nm monochromatic amber and or custom lumen package available by request. ¹

5. CONTROL

Options

- MCP CR 7-pin Receptacle
- WIR wiScape connectivity
- WIR SC wiScape + motion sensor
- SCP Motion sensor + Photocell ⁴
- SWP SiteSync Pre-commissioned ⁵
- SWPM SiteSync Pre-commissioned + Motion Sensor⁶

Accessories:

- SCP REMOTE Handheld commissioning tool ⁴
- SWUSB SiteSync loaded on USB flash drive (Windows® operating system only) ⁶
- SWTAB SiteSync Windows® based Tablet ⁶
- SWBRG SiteSync Wireless Bridge Node ⁶
- SW7PR SiteSync 7-Pin Module
- NXOFM-1R1D-UNV NX 7-pin Module

6. FUSE

May choose one

- SF 120, 277, 347 Volt input
- DF 208, 240, 480 Volt input

7. VOLTAGE

120-277VAC input standard or may choose one

- 347 347VAC input
- 480 480VAC input

8. MOUNTING

Integral Aluminum Pole

- PS510-188 10' luminaire height
- PS512-188 12' luminaire height
- PS514-188 14' luminaire height
- PS516-188 16' luminaire height
- PS518-188 18' luminaire height
- PS520-188 20' luminaire height

Integral Steel Pole

- PS525-250 25' luminaire height
- PS530-250 30' luminaire height

Tenon Mount

- TA23 Slips over a 2 3/8" / 60mm
Ø x 4" / 102mm tall tenon

Side Mount

- SMK Mounts to the side of a square pole, K51 only

Wall Mount

- WMK K51 only

9. MOUNTING OPTIONS

Twin mount at staggered heights

Mounting holes for a fixture at 180°, K51-... PS5... only, may choose one

- TS8 8' from bottom
- TS10 10' from bottom
- TS12 12' from bottom
- TS14 14' from bottom
- TS16 16' from bottom
- TS18 18' from bottom

Pole Accessories

May choose one

- GFI GFCI receptacle, 24" from top of pole
- RBC Duplex receptacle box with clear cover, wiring device(s) not included

10. FIXTURE FINISH

Standard Color

- AGN Antique Green
- BL Black
- BLT Matte Black
- CRT Corten
- DB Dark Bronze
- DGN Dark Green
- GT Graphite
- LG Light Grey
- MAL Matte Aluminum
- MDB Bronze Metallic
- MG Medium Grey
- TT Titanium
- WH Arctic White
- WDB Weathered Bronze
- VBU Verde Blue

Premium Color

- SHK Shamrock
- SPP Salt and Pepper
- SFM Seafoam
- WCP Weathered Copper
- RAL RAL 4 digit Color
- CUSTOM Custom Color

¹ Contact factory

⁴ Handheld commissioning tool is required to separately configure or adjust any number of SCP sensors

⁵ Specify group and zone at time of order. See www.hubbellighting.com/sitesync for more details. Order at least one SiteSync interface accessory SWUSB or SWTAB. Each option contains SiteSync License, GUI, and Bridge Node.

⁶ When ordering with SiteSync, one of the following interface options must be chosen and ordered separately. Each option contains the SiteSync License, GUI and Bridge Node.



ARCHITECTURAL AREA LIGHTING
17760 Rowland Street | City of Industry | CA 91748
P 626.968.5666 | F 626.369.2695 | www.aal.net
Copyright © 2014 September 18, 2018 12:59 PM

JOB _____
TYPE _____
NOTES _____

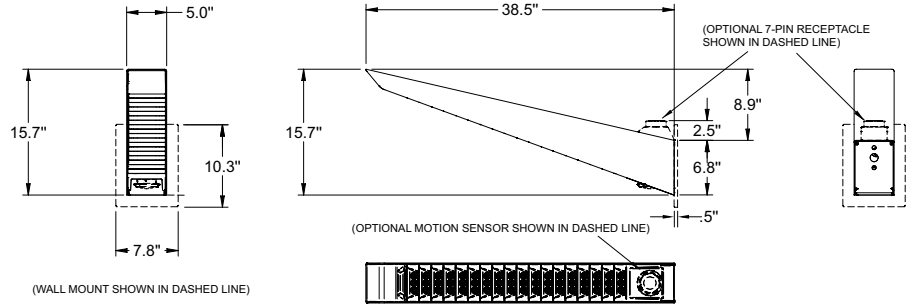
Kick™ – K5 Medium Scale

TYPE

Side Mounted Luminaire

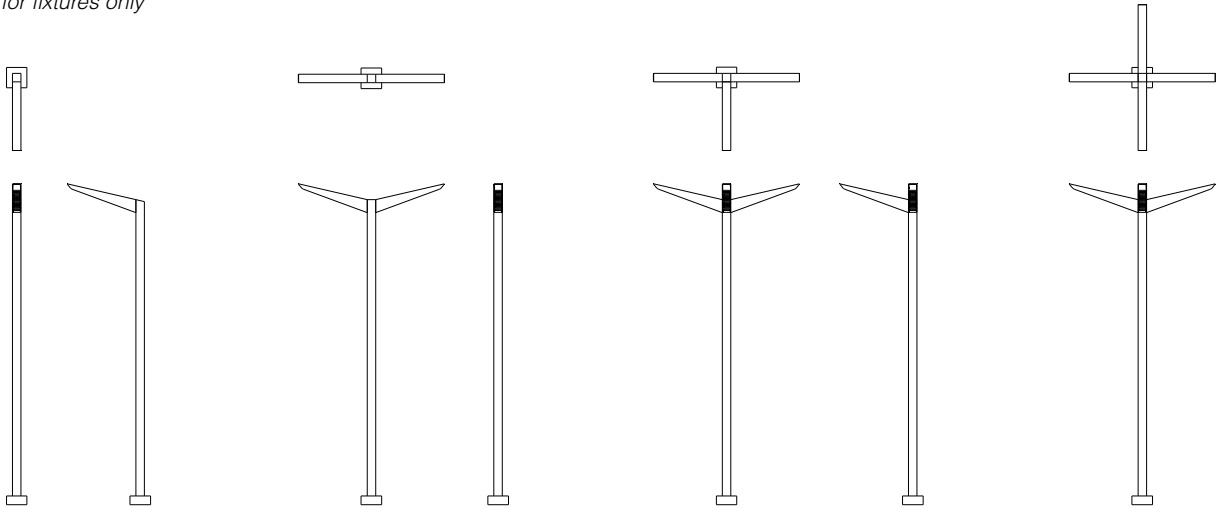
Mounts to the side of 5"/127mm square pole.

MODEL	K51-...-SMK
OVERALL HEIGHT	15.7" / 399mm
OVERALL LENGTH	38.6" / 980mm
OVERALL WIDTH	5" / 127mm
WEIGHT	20 lbs.
EPA	1.4



Integral Pole Luminaire

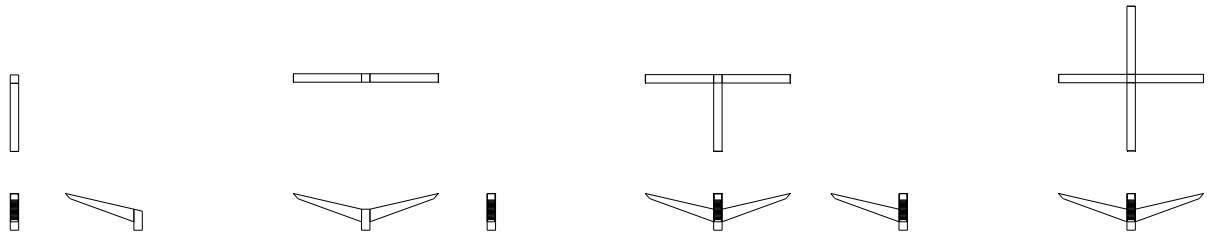
See page 6 for height and mounting detail
* Weight and EPA for fixtures only



MODEL	K51-...-PS5XX-188	K52-...-PS5XX-188	K53-...-PS5XX-188	K54-...-PS5XX-188
OVERALL LENGTH	43.5" / 1106mm	15.5" / 390mm	49" / 1238mm	82" / 2083mm
OVERALL WIDTH	15.5" / 390mm	82" / 2083mm	82" / 2083mm	82" / 2083mm
WEIGHT	20 lbs.	40 lbs.	60 lbs.	80 lbs.
EPA*	1.4	2.7	3.1	3.1

Tenon Mount Luminaire

Slips over a 2 3/8"/60mm diameter by 4"/102mm tall tenon



MODEL	K51-...-TA23	K52-...-TA23	K53-...-TA23	K54-...-TA23
OVERALL HEIGHT	19" / 483mm	19" / 483mm	19" / 483mm	19" / 483mm
OVERALL LENGTH	43.5" / 1106mm	5" / 127mm	43.5" / 1106mm	82" / 2083mm
OVERALL WIDTH	5" / 127mm	82" / 2083mm	82" / 2083mm	82" / 2083mm
WEIGHT	25 lbs.	40 lbs.	55 lbs.	70 lbs.
EPA	1.8	3.2	3.5	3.5



ARCHITECTURAL AREA LIGHTING
17760 Rowland Street | City of Industry | CA 91748
P 626.968.5666 | F 626.369.2695 | www.aal.net
Copyright © 2014 September 18, 2018 12:59 PM

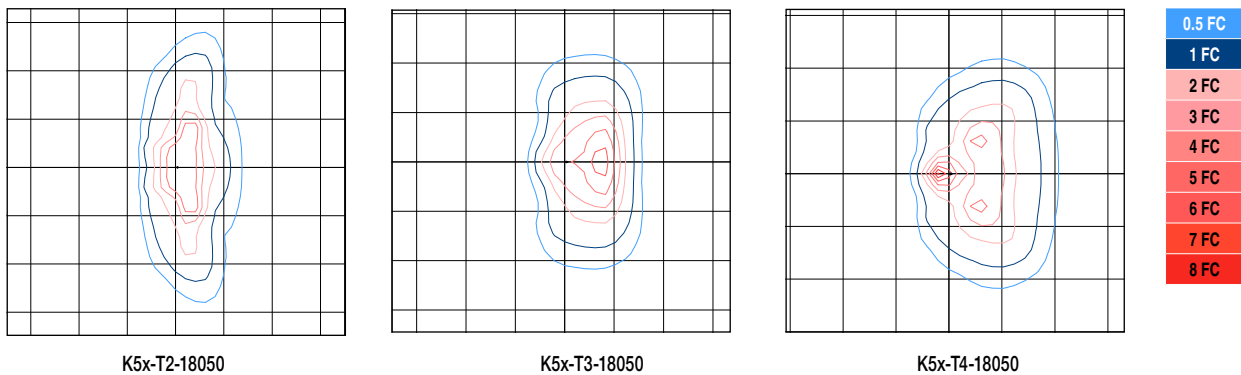
JOB	_____
TYPE	_____
NOTES	_____

LUMINAIRE PERFORMANCE

Configuration				Ordering Code													Average System Watts				
Light Engine	Optical Finish	Distribution	Ordering Code	Bright White (5000K)					Neutral White (4000K)					Warm White (3000K)							
				Delivered Lumens	Efficacy (Lm/W)	BUG Rating			Delivered Lumens	Efficacy (Lm/W)	BUG Rating			Delivered Lumens	Efficacy (Lm/W)	BUG Rating					
				18050					18040					18030							
18000 series	Standard White	Type 2	T2	17910	103	3	3	3	17532	101	3	3	3	17006	98	3	3	3	174		
		Type 3	T3	17721	102	3	3	3	17347	100	3	3	3	16826	97	3	3	3			
		Type 4	T4	18763	108	3	3	2	18080	104	3	3	2	17537	101	3	3	2			
		Type 2	T2-FO	14593	84	3	3	3	14286	82	3	3	3	13856	80	3	3	3			
	Fixture Matched	Type 3	T3-FO	14497	84	2	3	2	14191	82	2	3	2	13765	79	2	3	2			
		Type 4	T4-FO	15794	91	3	3	2	15460	89	2	3	2	14996	86	2	3	2			
		Type 2	T2-MO	15315	88	3	0	2	14787	85	3	0	2	14343	83	3	0	2			
		Type 3	T3-MO	15153	87	2	0	2	14631	84	2	0	2	14192	82	2	0	2			
	Matte Black	Type 4	T4-MO	15794	91	3	0	2	15249	88	3	0	2	14791	85	3	0	2			
						12050					12040					12030					
		Standard White	Type 2	T2	13369	109	3	3	3	13087	107	3	3	3	12694	104	3	3		3	122
			Type 3	T3	13228	108	2	3	2	12949	106	2	3	2	12560	103	2	3		2	
Type 4	T4		13787	112	3	3	2	13496	110	2	3	2	13091	107	2	3	2				
Type 2	T2-FO		10893	90	3	3	3	10664	88	3	3	3	10344	85	3	3	3				
Fixture Matched	Type 3	T3-FO	10821	89	2	3	2	10593	87	2	3	2	10275	84	2	3	2				
	Type 4	T4-FO	11789	97	3	3	2	11541	95	2	3	2	11194	92	2	3	2				
	Type 2	T2-MO	10893	90	3	0	2	10664	88	3	0	2	10343	85	3	0	2				
	Type 3	T3-MO	10821	89	2	0	2	10593	87	2	0	2	10275	84	2	0	2				
Matte Black	Type 4	T4-MO	11789	97	2	0	2	11541	95	2	0	2	11194	92	2	0	2				
					9050					9040					9030						
	Standard White	Type 2	T2	10103	117	2	3	2	9895	114	2	3	2	9692	111	2	3	2	87		
		Type 3	T3	9920	115	2	2	2	9715	112	2	2	2	9462	109	2	2	2			
Type 4		T4	10437	119	2	3	2	10223	117	2	3	2	9957	114	2	3	2				
Type 2		T2-FO	8171	94	2	3	2	8003	92	2	3	2	7794	90	2	3	2				
Fixture Matched	Type 3	T3-FO	8118	94	2	2	2	7951	92	2	2	2	7744	89	2	2	2				
	Type 4	T4-FO	8927	103	2	3	2	8744	100	2	3	2	8516	98	2	3	2				
	Type 2	T2-MO	8171	94	2	0	1	8003	92	2	0	1	7794	90	2	0	1				
	Type 3	T3-MO	8118	94	1	0	1	7951	92	1	0	1	7744	89	1	0	1				
Matte Black	Type 4	T4-MO	8927	103	2	0	2	8744	101	2	0	2	8516	98	2	0	2				

-MO.ies files should be used for -FO configurations in application layouts.

ISOLINE TEMPLATES 30' Mounting Height



ELECTRICAL CHARACTERISTICS

Ordering Code	LED Current (mA)	System Wattage (W)	Input				Min. Power Factor	Max THD (%)	Dimming Range (V)	Source/Sink Current (mA)	Inrush Current Peak											
			Amps AC								HZ	(A)				T@50% (µs)						
			120	277	347	480						120	277	347	480	120	277	347	480			
180XX	1000	173	1.4	0.6	0.5	0.4	50/60	>0.9	20	0-10	1	44	131	48	127	190	400	140				
120XX	700	122	1.0	0.4	0.4	0.3																
90XX	500	87	0.7	0.3	0.3	0.2																

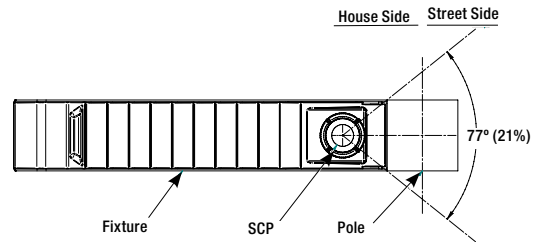


ARCHITECTURAL AREA LIGHTING
17760 Rowland Street | City of Industry | CA 91748
P 626.968.5666 | F 626.369.2695 | www.aal.net
Copyright © 2014 September 18, 2018 12:59 PM

JOB _____
TYPE _____
NOTES _____

SENSOR DETECTION RANGE

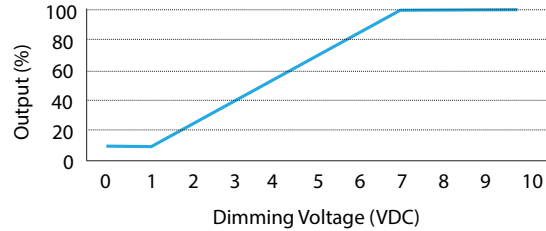
		SENSOR MOUNTING HEIGHT							RATIO
		8'	10'	12'	14'	16'	18'	20'	
COVERAGE	SCP	20'	25'	30'	35'	40'	45'	50'	1:2.5
DIAMETER	WIRSC	16'	20'	24'	28'	32'	36'	40'	1:2



TM-21 LIFETIME CALCULATION

Ambient Environment °C	Projected Lumen Maintenance (Khrs)					Reported L70
	25	50	60 (TM-21)	75	100	
25	98%	97%	96%	95%	94%	>60Khrs.
40	97%	96%	95%	94%	93%	

DIMMING CURVE



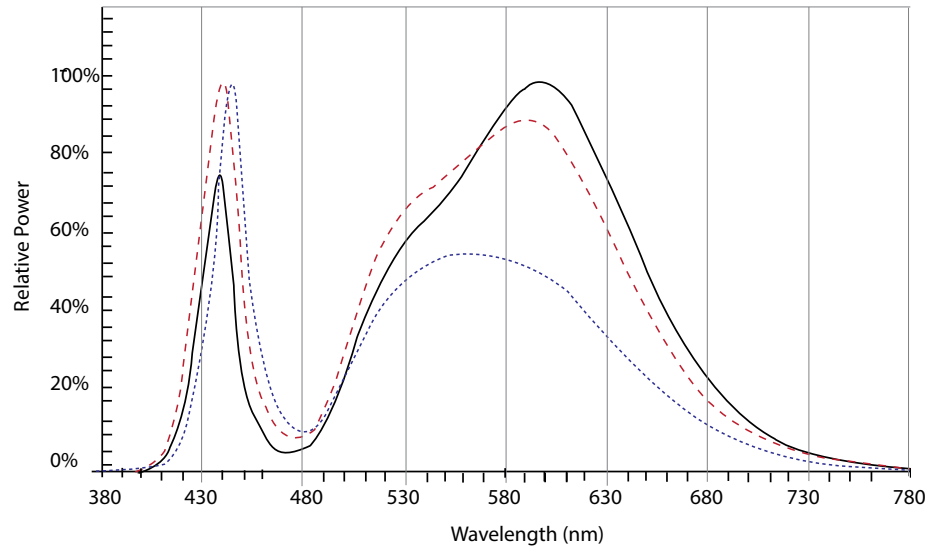
Note: Fixture does not dim to off, fixture dims to 10% minimum output.

COLOR CHARACTERISTICS

Value	Ordering Code		
	XX30	XX40	XX50
Rf	69	69	71
Rg	99	99	98
CCT(K)	3122	3852	5020
Duv	0.001	0.0004	0.0005
CIE Ra	74	73	74

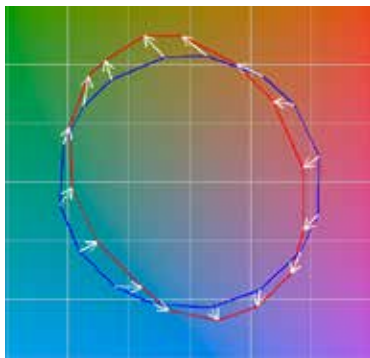
Note: TM-30 reported at the discrete LED level, not fixture level.

SPECTRAL POWER DISTRIBUTION COMPARISON



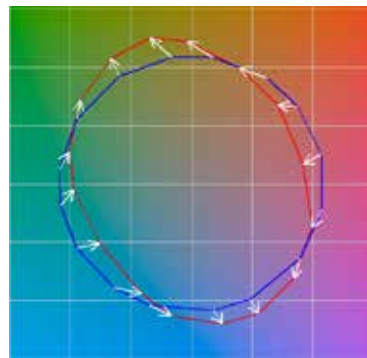
— XX30
- - - XX40
... XX50

COLOR VECTOR GRAPHIC



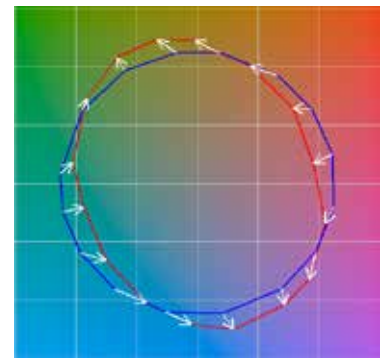
— Reference Illuminant — Test Source — Series1 — Series2
— Series3 — Series4 — Series5 — Series6
— Series7 — Series8 — Series9 — Series10

XX30



— Reference Illuminant — Test Source — Series1 — Series2
— Series3 — Series4 — Series5 — Series6
— Series7 — Series8 — Series9 — Series10

XX40



— Reference Illuminant — Test Source — Series1 — Series2
— Series3 — Series4 — Series5 — Series6
— Series7 — Series8 — Series9 — Series10

XX50

SPECIFICATIONS

HOUSING

- Housing shroud shall be of fabricated 5052-H32 aluminum alloy with a rear mounting interface that shall be of fabricated 304 stainless steel.
- Housing mounting interface shall have a stamped silicone gasket.
- Luminaire housing shall be free of any visible heat fins, hardware or fasteners.
- Bracketry and hardware shall be stainless steel.

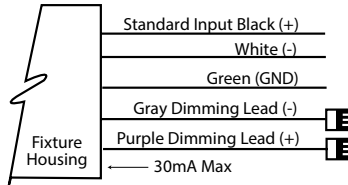
OPTICAL ARRAY

- LEDs shall be mounted to a metal printed circuit board assembly (MCPCB) with a uniform conformal coating over the panel surface and electrical features.
- Optical lenses shall be clear injection molded PMMA acrylic.
- Each MCPCB and optic shall be sealed to an extruded 6063-T6 aluminum alloy heat spreader and sealed with a continuous one piece injection molded silicone rubber gasket. IP66.
- Patent Pending design of optical array shall independently shield each LED optic across the length of the aperture.
- Optical surfaces shall be painted white unless the optional fixture finish (FO) or matte black finish (MO) is selected.
- Optional matte black finish optics (MO) are required to meet UO classification with zero percent uplight.
- Optional fixture finish optical surfaces (FO) shall not exceed BUG ratings of the standard white finish and shall be greater than or equal to the delivered lumens of the optional matte black optical surface finish (MO).

ELECTRICAL

- Drivers shall be in direct contact with the aluminum housing across the entire surface area of the widest face for maximum thermal transfer.
- Luminaires shall have integral surge protection that shall be U.L. recognized and have a surge current rating of 10,000 Amps using the industry standard 8/20uSec wave and surge rating of 372J. Surge protection device shall be wired in series.
- Drivers shall be U.L recognized.
- Drivers shall not be compatible with current sourcing dimmers, consult factory for current list of known compatible dimming systems approved dimmers include Lutron Diva AVTV, Lutron Nova NFTV and NTFTV.

- Luminaire shall be capable of operating at 100% brightness in a 40°C environment. Both driver and optical array shall have integral thermal protection that will dim the luminaire upon detection of temperatures in excess of 85°C.
- Luminaires not configured with a control system or ANSI C136 receptacle option shall be provided with 0-10 purple and gray dimming leads.



CONTROLS

- Wireless enabled fixtures shall support bi-directional radio frequency (RF) communications utilizing IEEE 802.15.4 operating in the 2.4GHZ ISM band.
- Up to 1000' wireless range may be reduced by physical obstructions between lighting fixtures.
- Motion Sensor shall use passive infrared (PIR) sensing technology that reacts to changes in infrared energy (moving body heat) within the coverage area. Careful consideration must be given to obstructions that may block the sensor's line of sight.
- Factory default settings for SCP option shall be:
 - High mode: 10V
 - Low mode: 1V
 - Ramp-up rate: disabled
 - Fade-down rate: disabled
 - Photocell: Off
 - Sensitivity: Full
 - Time Delay: Fade to low: 5 minutes
 - Time Delay: Fade to off: 1 hour

MOUNTING AND INSTALLATION

- Integral pole mount luminaires shall require assembly of fixture(s) to the pole, mounting hardware, anchor bolts and anchor bolt template shall be included. See page 6 for additional considerations specific to the integral pole.
- Tenon mount luminaires shall require assembly of fixture(s) to the tenon adapter, mounting hardware shall be included. Tenon adapter shall be secured to the tenon with eight 5/16-18 stainless steel set screws.

- Side mount luminaires shall be supplied with hardware compatible with AAL mountings.
- Twin mounted staggered height fixtures shall be configured separately.

SERVICING

- Service access to the optical array and driver assembly shall be via a tool-less internal latch and have an audible click.
- Optical array shall be able to hang freely in an open service position for inspection of internal wire connections. Once in service position, the optical array shall be able to be removed for service by lifting the assembly up off the rear hinge and disconnecting the wiring plugs.
- Driver assembly shall be mounted to a prewired internal tray with quick disconnects for removal.

FINISH

- Luminaire finish shall consist of a five stage pretreatment regimen with a polymer primer sealer, oven dry off, and top coated with a thermoset super TGIC polyester powder coat finish.
- Luminaire finish shall meet the AAMA 605.2 performance specification which includes passing a 3000 hour salt spray test for corrosion resistance.

CERTIFICATION

- Luminaire shall be listed with UL for outdoor, wet location use, UL1598, UL 8750 and Canadian CSA Std. C22.2 no.250.
- ANSI C136.31-2010 4G Vibration tested and compliant.
- IEC 66262 Mechanical Impact Code IK10
- IDA approved, 3000K and warmer CCTs only.

WARRANTY / TERMS AND CONDITIONS OF SALE

Download: <http://www.hubbellingighting.com/resources/warranty/>



JOB	_____
TYPE	_____
NOTES	_____

SPECIFICATIONS

Integral Pole

MODEL	HEIGHT		SHAFT		MATERIAL	WT	MAXIMUM ALLOWABLE EPA (MPH)									
	OVERALL	POLE	SECTION				85	90	100	105	110	120	130	140	145	150
K5X-PS510-188	10'9" / 3.28m	10'	5"SQ x .188"		ALUMINUM	61	25	25	23	20.5	18.5	15	12.3	10.1	9.1	8.3
K5X-PS512-188	12'9"/3.89m	12'	5"SQ x .188"		ALUMINUM	69	25	22.5	17.8	15.7	14	11	8.7	6.9	6.1	5.4
K5X-PS514-188	14'9"/4.50m	14'	5"SQ x .188"		ALUMINUM	78	20.6	17.9	13.7	11.9	10.4	7.9	6	4.4	3.7	3.1
K5X-PS516-188	16'9"/5.10m	16'	5"SQ x .188"		ALUMINUM	86	16.5	14.1	10.4	8.9	7.6	5.4	3.7	2.3	1.7	1.1
K5X-PS518-188	18'9"/5.71m	18'	5"SQ x .188"		ALUMINUM	95	12.9	10.9	7.6	6.3	5.1	3.2	1.7	0.5	-	-
K5X-PS520-188	20'9"/6.32m	20'	5"SQ x .188"		ALUMINUM	103	9.8	8.1	5.2	4	3	1.3	-	-	-	-
K5X-PS525-250	25'9"/7.85m	25'	5"SQ x .25"		STEEL	427	25	25	19.4	17.1	15.1	11.7	9	6.9	6	5.1
K5X-PS530-250	30'9"/9.38m	30'	5"SQ x .25"		STEEL	507	20.1	17.3	12.7	10.9	9.3	6.6	4.5	2.8	2.1	1.4

CONSTRUCTION

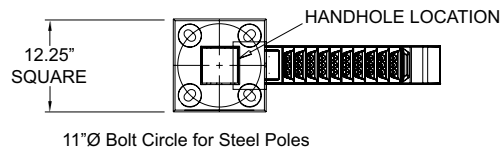
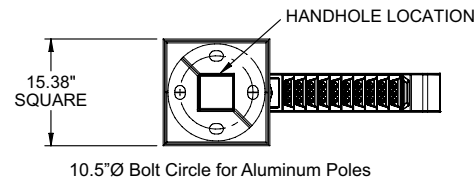
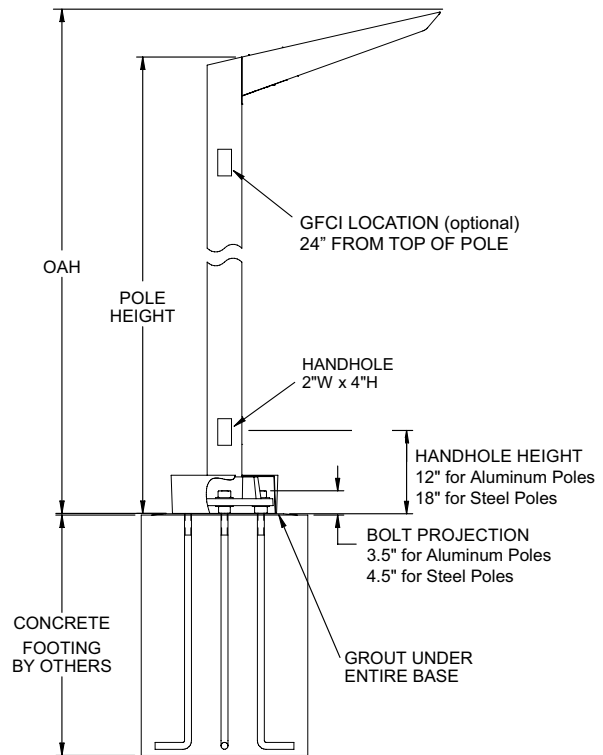
- Aluminum pole bases shall be cast aluminum #356 alloy and be heat treated to a T-6 condition.
- Aluminum pole shafts shall be extruded aluminum 6061 alloy and heat treated to a T-6 condition.
- Aluminum poles shall have a one-piece base cover included standard.
- Steel poles shall be one-piece straight steel with square cross section, flat sides and minimum 0.238" radius on all corners; Minimum yield of 46,000 psi (ASTM-A500, Grade B); Longitudinal weld seam to appear flush with shaft side wall; Steel base plate with axial bolt circle slots welded flush to pole shaft having minimum yield of 36,000 psi (ASTM A36).
- Steel poles shall have a two-piece square aluminum base cover included standard.
- All poles shall be supplied with removable top cap.
- All poles shall have a hand hole with mounting provisions for grounding lug located behind a gasket lined cover.
- Anchor bolts shall be 1" x 36" x 4" hot dip galvanized steel, with two galvanized washers and two galvanized nuts per bolt.
- Bolt circle template shall be provided.

WARNINGS

- Caution must be exercised in the selection of a design wind speed when the pole is to be installed in a special wind region (as indicated by the wind map) or in an area where wind speed is unpredictable.
- AAL recommends consulting a local engineer when the pole is to be installed in an area that may be subject to vibration, oscillations, and other fatigue effects which are not covered by the AAL warranty.
- The use of banners or other appendages can severely affect the loading of a pole. No banner or other appendage may be attached to an AAL pole unless approved by AAL.
- If the products are to be used on an existing foundation or on other structures, the customer assumes all responsibility for the structural integrity of the existing foundation, anchorage or structures and all the consequences arising there from.

CAUTION

- Poles should never be erected without the luminaire installed. Warranty is voided if the pole is erected without the luminaire.



BOTTOM VIEW