

Updated 01/2010



- Available in contemporary or traditional styles
- Rotable 360 degrees, enabling the photocell to be aimed away from light sources
- Accepts a standard twist-lock photocell (provided by others)
- Features an acrylic window to protect the photocell from the elements and premature failure
- Designed to slip over a 4" O.D. pole
- Powder coat finish in 13 standard colors with a polymer primer sealer



PCA-C



PCA-T

---

## Architectural Area Lighting

16555 East Gale Ave. | City of Industry | CA 91745  
P 626.968.5666 | F 626.369.2695 | [www.aal.net](http://www.aal.net)  
Copyright © 2010 Rev 01/2010

1. Photocell

2. Color

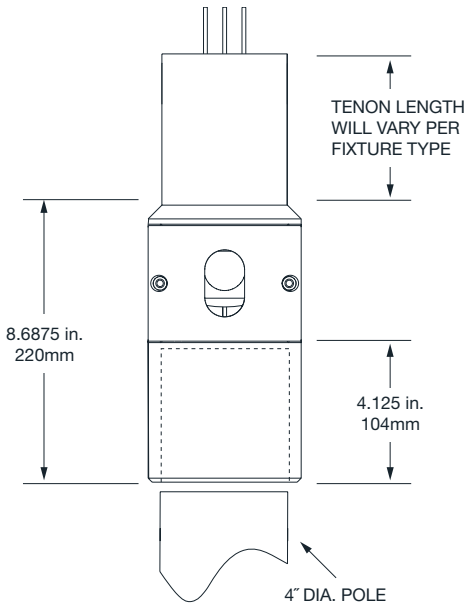
PCA-C

MAL

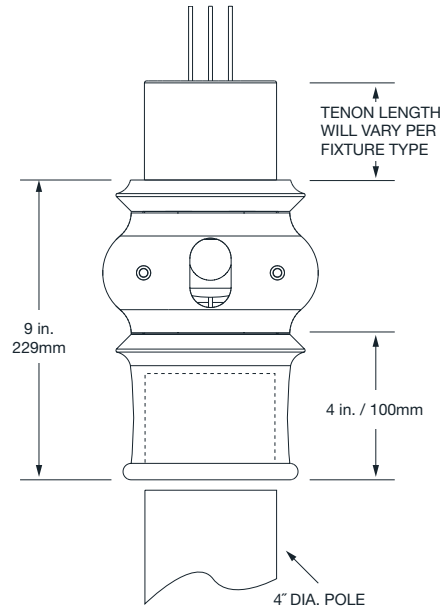
1. PHOTOCELL

PCA-C Photocell Module – Contemporary, slips over a 4"/100mm O.D. pole

PCA-T Photocell Module – Traditional, slips over a 4"/100mm O.D. pole



Contemporary Photocell Adapter—PCA-C



Traditional Photocell Adapter—PCA-T

2. COLOR

- AWT Arctic White
- LGY Light Grey
- MAL Matte Aluminum
- MDG Medium Grey
- ATG Antique Green
- VBL Verde Blue
- WRZ Weathered Bronze
- DGN Dark Green

- CRT Corten
- BRM Metallic Bronze
- DBZ Dark Bronze
- BLK Black
- MTB Matte Black
- RAL#
- CUSTOM

SOLD TO

PO #

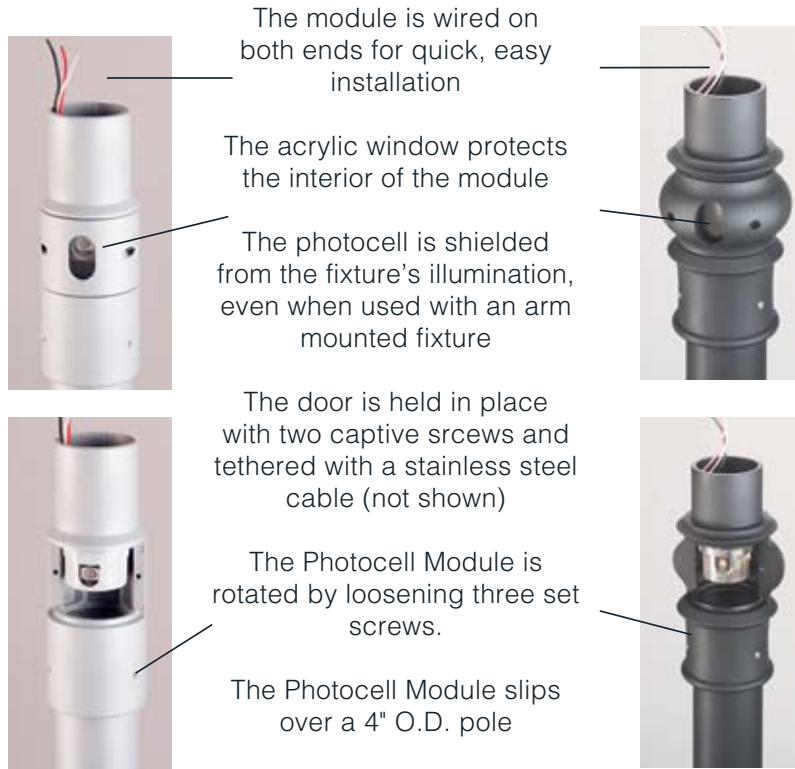
JOB NAME

Approvals

**Architectural Area Lighting**

16555 East Gale Ave. | City of Industry | CA 91745  
 P 626.968.5666 | F 626.369.2695 | www.aal.net  
 Copyright © 2010 Rev 01/2010

Specifications



The module is wired on both ends for quick, easy installation

The acrylic window protects the interior of the module

The photocell is shielded from the fixture's illumination, even when used with an arm mounted fixture

The door is held in place with two captive screws and tethered with a stainless steel cable (not shown)

The Photocell Module is rotated by loosening three set screws.

The Photocell Module slips over a 4" O.D. pole

**HOUSING**

The rotatable photocell housing can be rotated 360 degrees so the photocell can be aimed away from stray light sources for an accurate setting. The photocell is also shielded from light emissions from the fixture. The housing slips over a 4"/100mm O.D. pole. A fixture or arm slips over the 4"/100mm O.D. tenon. Includes an internal twist-lock receptacle, and an access cover with integral lens and stainless steel tether. The module has a glass window to protect the photocell from the elements and premature failure. PCA-C model adds 4.5"/114mm to the overall height of the pole/fixture assembly. PCA-T model adds 5"/127mm to the overall height of the pole/fixture assembly. Prewired on the load side and line side for easy installation.

**FINISH**

The finish consists of a five stage pretreatment regimen with a polymer primer sealer, oven dry off, and top coated with a thermoset super TGIC polyester powder coat finish. The finish shall meet the AAMA 605.2 performance specification which includes passing a 3000 hour salt spray test for corrosion resistance.

**CERTIFICATION**

Applicable accessories shall be listed with ETL suitable for outdoor, wet location use, UL 924-2006 and CAN/CSA C22-2 No. 141-02.

**WARRANTY**

AAL accessories shall be warranted for three years.

SOLD TO

PO #

JOB NAME

Approvals

**Architectural Area Lighting**

16555 East Gale Ave. | City of Industry | CA 91745  
 P 626.968.5666 | F 626.369.2695 | www.aal.net  
 Copyright © 2010 Rev 01/2010