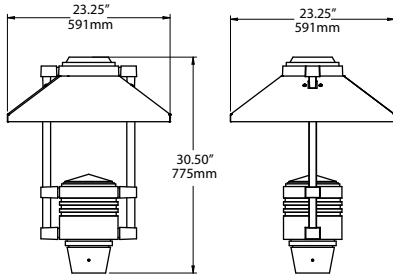


FEATURES

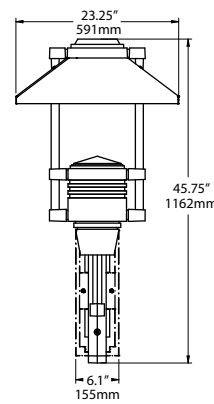
- Reliable, uniform, glare free illumination
- Types II, III, IV, V distributions
- 3000K, 4000K, 5000K CCT
- 0-10V dimming ready
- Integral surge suppression
- Integral thermal protection
- 13 standard powder coat finishes



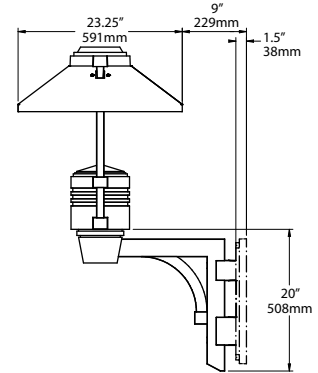
SPECIFICATIONS



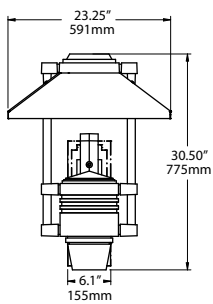
POST TOP
WT: 57 lbs. EPA: 2.35



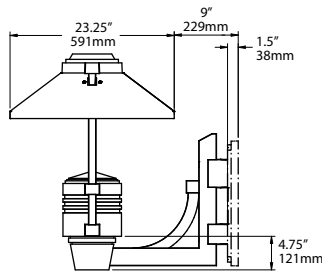
PSA-TU
(Top of Arm Mounted Luminaire
Upward Swept Arm Design)
WT: 65 lbs. EPA: 2.83



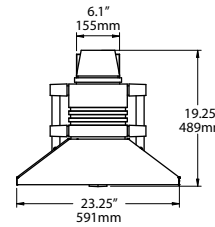
PSWM-TU
(Top of Wall Mounted Luminaire
Upward Swept Arm Design)
WT: 69 lbs. EPA: 3.05



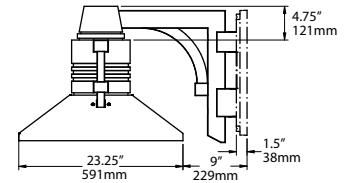
PSA-TD
(Top of Arm Mounted Luminaire
Downward Swept Arm Design)
WT: 65 lbs. EPA: 2.83



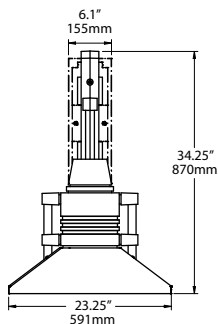
PSWM-TD
(Top of Wall Mounted Luminaire
Downward Swept Arm Design)
WT: 69 lbs. EPA: 3.05



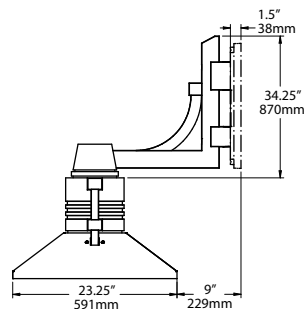
PSA-BU
(Below Arm Mounted Luminaire
Upward Swept Arm Design)
WT: 65 lbs. EPA: 2.54



PSWM-BU
(Below Wall Mounted Luminaire
Upward Swept Arm Design)
WT: 69 lbs. EPA: 2.76



PSA-BD
(Below Arm Mounted Luminaire
Downward Swept Arm Design)
WT: 65 lbs. EPA: 2.54

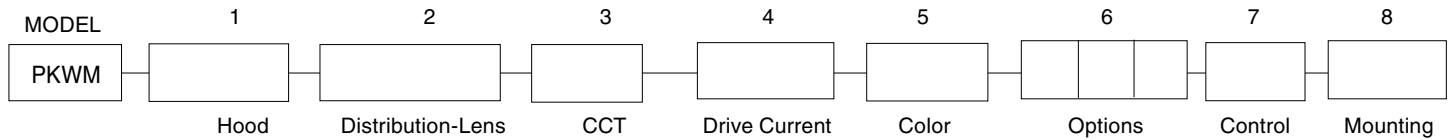


PSWM-BD
(Below Wall Mounted Luminaire
Downward Swept Arm Design)
WT: 69 lbs. EPA: 2.76



3000K and warmer CCTs only

ORDERING INFORMATION



1. HOOD

ANGLED
ANG

2. DISTRIBUTION

Horizontal LED – Clear Lens

Y2HC
Y3HC
Y4HC
Y5HC

Horizontal LED – Diffused Lens

Y2HD
Y3HD
Y4HD
Y5HD

3. COLOR TEMPERATURE

32LED-3K
32LED-4K
32LED-5K

4. DRIVE CURRENT (120-277 VAC input)

700 (688mA, 73 watts)
500 (500mA, 53 watts)

5. COLOR

BLS Black Gloss Smooth
BLT Black Matte Textured
DBS Dark Bronze Gloss Smooth
DBT Dark Bronze Matte Textured
GTT Graphite Matte Textured
LGS Light Grey Gloss Smooth
LGT Light Grey Matte Textured
PSS Platinum Silver Smooth
VGT Verde Green Textured
WHS White Gloss Smooth
WHT White Matte Textured
Color Option
CC* Custom Color

6. OPTIONS

FUSING
FS1 (Single fuse holder)

7. CONTROL

SCP (Sensor Control Programmable) pole accessory is available to provide occupancy detection for outdoor applications meeting California Title 24. For complete spec sheet and ordering information, visit www.aal.net/products/sensor_control_programmable/

8. MOUNTING – Standard mounting slips over a 4"/100mm open top square pole or tenon or may choose one

TENON MOUNT

TA23 (Tenon adapter slips over 2 3/8" O.D x 4" long tenon. Required for poles by others or used in conjunction with TEN pole option by AAL.)

WALL MOUNT

PSWM-TU (Fixture above with arm mounted up)
PSWM-TD (Fixture above with arm mounted down)
PSWM-BU (Fixture below with arm mounted up)
PSWM-BD (Fixture below with arm mounted down)

POLE MOUNTED ARM – mounts to the side of a square pole or to the side of a 4" od pole (specify)

PSA-TU (Fixture above with arm mounted up)
PSA-TD (Fixture above with arm mounted down)
PSA-BU (Fixture below with arm mounted up)
PSA-BD (Fixture below with arm mounted down)
Visit www.aal.net for Arms, Poles & Accessories Specification Guide

LUMINAIRE PERFORMANCE

| Optical System | Lens | Distribution | Light Engine | Luminaire Performance Data | | | | | | | | | | | | Drive Current (ma) | System Watts | | | |
|----------------|---------------|--------------|--------------|----------------------------|-----------------|------------|------------------|-----------------|------------|------------------|-----------------|------------|----|-------|----|--------------------|--------------|---|-----|----|
| | | | | 3K | | | 4K | | | 5K | | | | | | | | | | |
| | | | | Delivered Lumens | Efficacy (lm/w) | Bug Rating | Delivered Lumens | Efficacy (lm/w) | Bug Rating | Delivered Lumens | Efficacy (lm/w) | Bug Rating | | | | | | | | |
| | | | B | U | G | B | U | G | B | U | G | | | | | | | | | |
| YLED | Clear Lens | TYPE 2 | Y2HC | 4,116 | 58 | 1 | 0 | 1 | 5,374 | 75 | 1 | 0 | 1 | 5,834 | 82 | 2 | 0 | 2 | 700 | 71 |
| | | TYPE 3 | Y3HC | 4,087 | 57 | 1 | 0 | 1 | 5,336 | 75 | 1 | 0 | 1 | 5,794 | 81 | 1 | 0 | 1 | | |
| | | TYPE 4 | Y4HC | 3,988 | 56 | 1 | 0 | 1 | 5,206 | 73 | 1 | 0 | 1 | 5,653 | 79 | 1 | 0 | 1 | | |
| | | TYPE 5 | Y5HC | 3,941 | 55 | 2 | 0 | 1 | 5,139 | 72 | 3 | 0 | 1 | 5,580 | 78 | 3 | 0 | 1 | | |
| | | TYPE 2 | Y2HC | 3,192 | 64 | 1 | 0 | 1 | 4,168 | 83 | 1 | 0 | 1 | 4,525 | 91 | 1 | 0 | 1 | | |
| | Diffused Lens | TYPE 3 | Y3HC | 3,170 | 63 | 1 | 0 | 1 | 4,140 | 83 | 1 | 0 | 1 | 4,494 | 90 | 1 | 0 | 1 | 500 | 50 |
| | | TYPE 4 | Y4HC | 3,097 | 62 | 1 | 0 | 1 | 4,044 | 81 | 1 | 0 | 1 | 4,404 | 88 | 1 | 0 | 1 | | |
| | | TYPE 5 | Y5HC | 3,057 | 61 | 2 | 0 | 1 | 3,992 | 80 | 2 | 0 | 1 | 4,346 | 87 | 2 | 0 | 1 | | |
| | | TYPE 2 | Y2HD | 3,306 | 46 | 1 | 0 | 1 | 4,311 | 60 | 1 | 0 | 1 | 4,681 | 66 | 2 | 0 | 1 | | |
| | | TYPE 3 | Y3HD | 3,211 | 45 | 1 | 0 | 1 | 4,187 | 59 | 1 | 0 | 1 | 4,546 | 64 | 1 | 0 | 1 | | |
| | | TYPE 4 | Y4HD | 3,181 | 45 | 1 | 0 | 1 | 4,148 | 58 | 1 | 0 | 1 | 4,504 | 63 | 2 | 0 | 1 | | |
| | | TYPE 5 | Y5HD | 3,101 | 44 | 1 | 0 | 1 | 4,054 | 57 | 2 | 0 | 1 | 4,428 | 62 | 2 | 0 | 1 | | |
| | | TYPE 2 | Y2HD | 2,569 | 51 | 1 | 0 | 1 | 3,350 | 67 | 1 | 0 | 1 | 3,638 | 73 | 1 | 0 | 1 | | |
| | | TYPE 3 | Y3HD | 2,500 | 50 | 1 | 0 | 1 | 3,260 | 65 | 1 | 0 | 1 | 3,539 | 71 | 1 | 0 | 1 | | |
| | | TYPE 4 | Y4HD | 2,468 | 49 | 1 | 0 | 1 | 3,222 | 64 | 1 | 0 | 1 | 3,710 | 74 | 1 | 0 | 1 | | |
| TYPE 5 | Y5HD | 2,412 | 48 | 1 | 0 | 1 | 3,149 | 63 | 1 | 0 | 1 | 3,509 | 70 | 1 | 0 | 1 | | | | |

ELECTRICAL CHARACTERISTICS

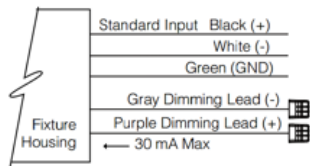
| Optical System | Ordering Code | | Electrical Characteristics | | | | | | | Inrush Current | | | | Dimming | |
|----------------|---------------|-----|----------------------------|--------------|---------|-----|-------------------|-------------|-----------------------|----------------|------------------|-----------|------------------|---------------|---|
| | | | LED Drive mA | System Watts | Amps AC | | Min. Power Factor | Max THD (%) | Operating Temp. Range | 120V | | 277V | | Dimming Range | Source Current out of 0-10V Purple Wire |
| | | | | | 120 | 277 | | | | Ipeak (A) | T(@50% of Ipeak) | Ipeak (A) | T(@50% of Ipeak) | | |
| YLED | 32LED | 700 | 688 | 71 | 0.6 | 0.3 | 0.9 | 15 | -30°C TO +60°C | 50 | 142 µS | 116 | 138 µS | 5% to 10% | 150 µA |
| | 500 | 500 | 50 | 0.4 | 0.2 | | | | | | | | | | |

LED COLOR

| | Ordering Code | | |
|-------------|---------------|-------|-------|
| | 3K | 4K | 5K |
| CCT Average | 3000K | 4000K | 5000K |
| CRI Minimum | ≥ 70 | ≥ 70 | ≥ 70 |

WIRING LEADS

Luminaires not configured with wiHUBB or photo-control shall be provided with 0-10 purple and gray dimming leads.



TM-21 LIFETIME CALCULATION

| Optical System | Ordering Code | Ambient Environment °C | Projected Lumen Maintenance (% vs. Khrs) | | | | | Reported L70 |
|----------------|---------------|------------------------|--|----|----|----|-----|--------------|
| | | | 15 | 25 | 50 | 60 | 100 | |
| YLED | 32LED | 15 | 98 | 97 | 96 | 95 | 93 | >60Khrs |
| | | 25 | 96 | 96 | 94 | 93 | 90 | |
| | | 40 | 96 | 94 | 91 | 90 | 86 | |

SPECIFICATIONS

HOUSING

- All housing components shall be cast aluminum, sealed with continuous silicone rubber gaskets.
- Hoods shall be of fabricated construction with seamless blended outside corners.
- Secondary lens shall be clear flat tempered soda lime glass.
- All internal and external hardware shall be stainless steel.

OPTICAL

- LEDs shall be mounted to a metal printed circuit board assembly (MCPCB) with a uniform conformal coating over the panel surface and electrical features.
- LED optics shall be clear injection molded PMMA acrylic.
- MCPCB and optic shall be sealed to a die-cast anodized aluminum heat sink with an injection molded silicone rubber gasket. IP66.

ELECTRICAL

- Luminaires shall have integral surge protection that shall be U.L. recognized and have a surge current rating of 10,000 Amps using the industry standard 8/20uSec wave and surge rating of 372J.
- Drivers shall be U.L. recognized with an inrush current maximum of <20.0 Amps maximum at 230VAC.
- Drivers shall not be compatible with current sourcing dimmers, consult factory for current list of known compatible dimming systems, approved dimmers include Lutron Diva AVTV, Lutron Nova NFTV and NTFTV.
- Luminaire shall be capable of operating at 100% brightness in a 40°C environment. Both driver and optical array shall have integral thermal protection that will dim the luminaire upon detection of temperatures in excess of 85°C.

CONTROLS

- SCP shall have an integral surge protection device with a current rating of 10,000 Amps using the industry standard 8/20uSec wave and surge rating of 372J
- Sensor not intended for use with additional photo-control, wireless control or dimming systems.

SERVICING

- Gear compartment shall be accessed via the removal of four 1/4-20 fasteners. Driver and surge suppressor shall be mounted to a pre-wired tray with quick disconnects that may be removed from the gear compartment.

ARM MOUNTING

- Luminaire shall be attached to the arm assembly with four 1/4-20 stainless steel bolts. The connection shall be sealed with a silicone compression gasket.
- Pole mounted arms shall bolt to a square pole or a 4"/100mm diameter round pole and secured with two bolts with a minimum 3/8-16 thread size, hardware by others.
- Wall mounted arms and brackets shall require mounting hardware by others.

FINISH

- Luminaire finish shall consist of a five stage pretreatment regimen with a polymer primer sealer, oven dry off, and top coated with a thermoset super TGIC polyester powder coat finish.
- Luminaire finish shall meet the AAMA 2604-05 performance specification which includes passing a 3000 hour salt spray test for corrosion resistance.

CERTIFICATION

- Luminaire shall be listed with ETL for outdoor, wet location use, UL1598, UL 8750 and Canadian CSA Std. C22.2 no.250.

WARRANTY / TERMS AND CONDITIONS OF SALE

Download:

<http://www.hubbellighting.com/resources/warranty/>