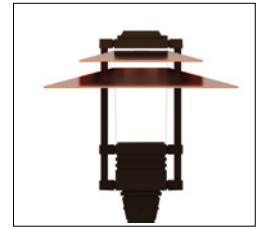
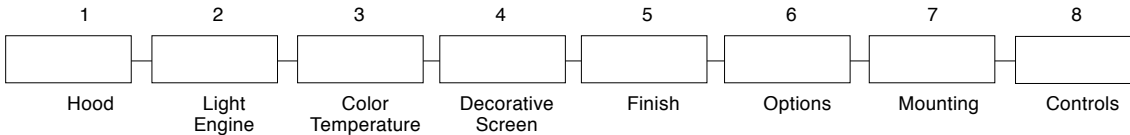


- Three hood styles
- Six decorative screen options
- Post-top, wall mount, or pole mount arm
- Cast aluminum struts
- Full cutoff options



PKWS

**ORDERING CODE**



**1. HOOD**

- ANG *Angled hood*
- STR *Straight hood*
- DBL *Double hood*

**2. LIGHT ENGINE**

- Flat Horizontal lens, open struts
- T1-36LED *Flat lens, Type I, 39W<sup>1</sup>*
- T3-36LED *Flat lens, Type III, 39W<sup>1</sup>*
- T5-36LED *Flat lens, Type V, 39W<sup>1</sup>*

- Vertical lens, internal frosted glass diffuser
- GLA-9LED *Asymmetric, 13W*
- GLA-18LED *Symmetric, 21W*

**3. COLOR TEMPERATURE**

- BW *5000K, 70 CRI*
- NW *4000K, 70 CRI*
- WW *3000K, 70 CRI*

**4. DECORATIVE SCREEN**

- Optional, may choose one
- DSIN *Infinity design<sup>2</sup>*
- DSOF *Offset design<sup>2</sup>*
- DSWH *Wheat design<sup>2</sup>*
- DSTR *Trio design<sup>2</sup>*
- DSSH *Shutter design<sup>2</sup>*
- DSCS *Custom design<sup>2</sup>*

**5. COLOR**

- BLS *Black Gloss Smooth*
- BLT *Black Matte Textured*
- DBS *Dark Bronze Gloss Smooth*
- DBT *Dark Bronze Matte Textured*
- GTT *Graphite Matte Textured*
- LGS *Light Grey Gloss Smooth*
- LGT *Light Grey Matte Textured*
- PSS *Platinum Silver Smooth*
- VGT *Verde Green Textured*
- WHS *White Gloss Smooth*
- WHT *White Matte Textured*
- Color Option**
- CC\* *Custom Color*

\* Consult factory for custom color, marine and corrosive finish options

**6. OPTIONS**

- ULS *Upper lens shield<sup>2</sup>*
- LDL *Diffused lens<sup>5</sup>*

**7. MOUNTING**

Standard fixture shall slip over a 3" / 76mm pole or tenon or may choose one

**Pole Mounted Bracket**

Mounts to the side of a 4" / 102mm diameter pole or post, must specify round or square pole or post

- PSA-TU *Top mount fixture, up-swept arm*
- PSA-TD *Top mount fixture, down-swept arm*
- PSA-BU *Pendant fixture, up-swept arm*
- PSA-BD *Pendant fixture, down-swept arm*

**Wall Mounted Bracket**

- PSWM-TU *Top mount fixture, up-swept arm*
- PSWM-TD *Top mount fixture, down-swept arm*
- PSWM-BU *Pendant fixture, up-swept arm*
- PSWM-BD *Pendant fixture, down-swept arm*

Visit [www.aal.net](http://www.aal.net) for Arms, Poles & Accessories Specification Guide

**8. CONTROLS**

- SCP *Sensor Control Programmable<sup>4</sup>*

Pole accessory is available to provide occupancy detection for outdoor applications meeting California Title 24. For complete spec sheet and ordering information, visit [www.aal.net/products/sensor\\_control\\_programmable/](http://www.aal.net/products/sensor_control_programmable/)

*Note:*

- <sup>1</sup> ANG Hood only
- <sup>2</sup> GLA-9LED or GLA18-LED only
- <sup>3</sup> Contact factory
- <sup>4</sup> PSA-xx only
- <sup>5</sup> Tx-36LED only

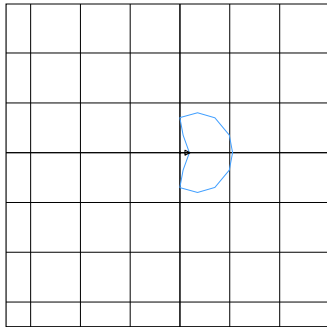


JOB \_\_\_\_\_  
 TYPE \_\_\_\_\_  
 NOTES \_\_\_\_\_

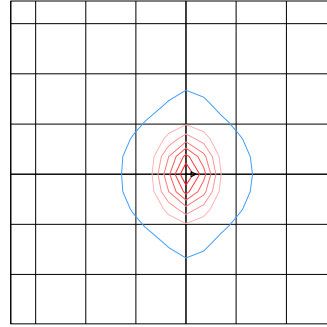
## ELECTRICAL CHARACTERISTICS

Ordering Code	Line Input		AMPS AC	LED Drive (mA)	System Watts (W)	J f k - M t b d C ^ d o	J ^ u Q E A % &	A d s b a L n b o ^ q k d C b j m e D ^ k d b % @ &	f k a p e l @ r a b k q M b ^ h		A f j j f k d	
	VAC	HZ							%&	Q = 2 - " % P &	A f j j f k d D ^ k d b % &	P l r o b , P f k h @ r a b k q % > &
9LED	120-277	50/60	.11 - .05	350	13	≥.9	20	-30 TO +40	15 - 32	100	(not dimmable)	
18LED	120-277	50/60	.18 - .08	350	21	≥.9	20	-30 TO +40	15 - 32	100	0 - 10	1
36LED	120-277	50/60	.33 - .14	350	39	≥.9	20	-30 TO +40	15 - 32	100	0 - 10	1

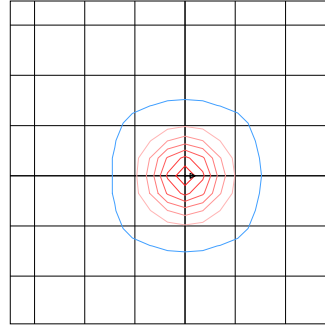
## ISOLINE TEMPLATE



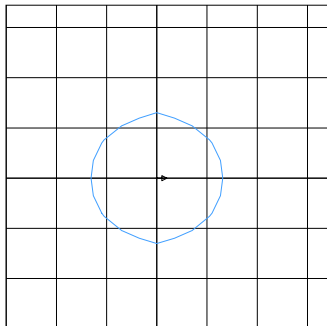
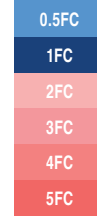
PKWS-[HOOD]-GLA-9LED-BW



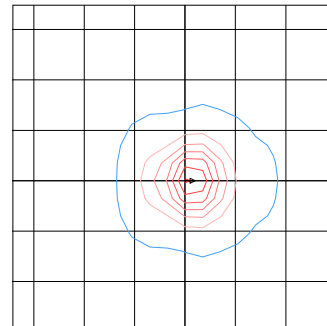
PKWS-ANG-T1-36LED-BW



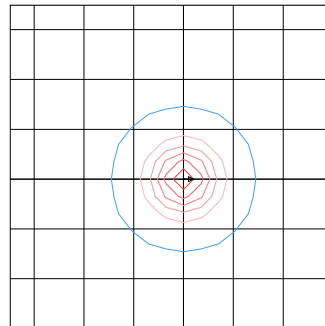
PKWS-ANG-T5-36LED-BW



PKWS-[HOOD]-GLA-18LED-BW



PKWS-ANG-T3-36LED-BW



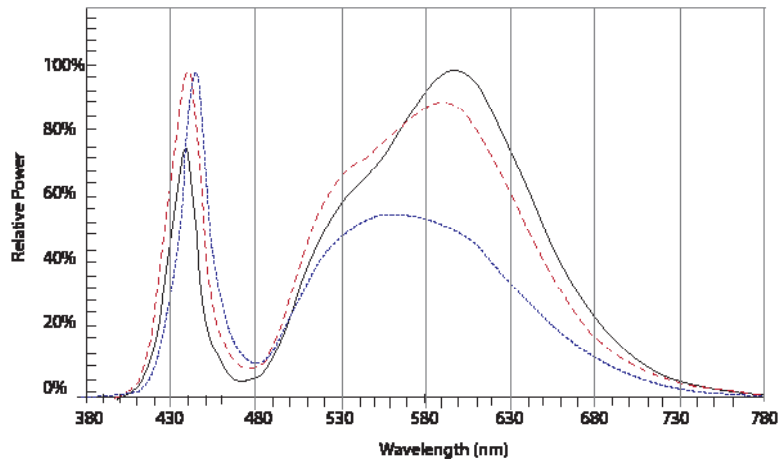
PKWS-ANG-T5-36LED-BW-LDL

## COLOR CHARACTERISTICS

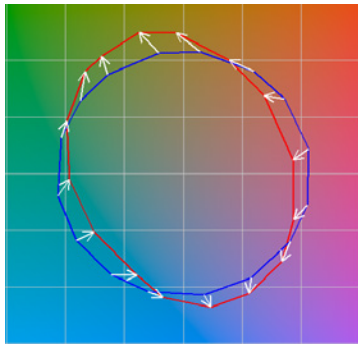
QZ en ^	H k j ^ k q ^ [ k h ] ^		
	, D	- D	. D
K_	/2	/2	0°
K'	22	22	21
<< MD"	, *++	, 1. +	. ) +)
= no	) ) ) *	) ) ) -	) ) ) .
< B [ K Z	0-	0,	0-

Ghm3MF & ) [ k ^ i h k t ] [ Z r i a ^ ] b \ k ^ m ^ E = [ e ^ o ^ @ h r i ]  
Üymk ^ e ^ o ^ e

## SPECTRAL POWER DISTRIBUTION COMPARISON

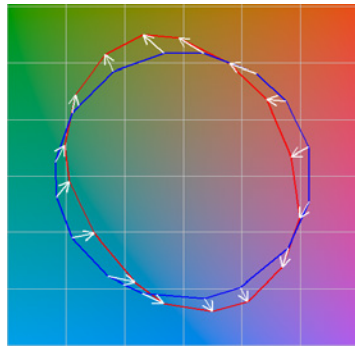


COLOR VECTOR GRAPHIC



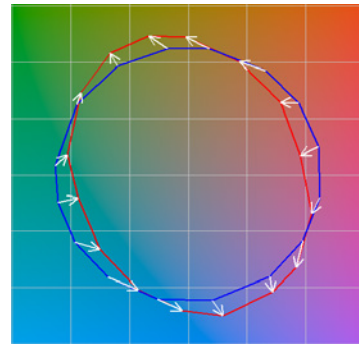
Reference Illuminant Test Source Series1 Series2 Series3 Series4 Series5 Series6 Series7 Series8 Series9 Series10

UU0



Reference Illuminant Test Source Series1 Series2 Series3 Series4 Series5 Series6 Series7 Series8 Series9 Series10

UU1



Reference Illuminant Test Source Series1 Series2 Series3 Series4 Series5 Series6 Series7 Series8 Series9 Series10

UU2

SPECIFICATIONS

HOUSING

- All housing components shall be cast aluminum, sealed with continuous silicone rubber gaskets.
- Hoods shall be of fabricated construction with seamless blended outside corners. Optional natural stainless steel and or natural copper hoods shall have a horizontal brushed grain. Natural copper hoods shall naturally oxidize over time.
- Horizontal lens configurations shall be clear flat tempered soda lime glass.
- Vertical lens configurations shall be clear injection molded acrylic or diffused injection molded acrylic
- All internal and external hardware shall be stainless steel.

OPTICAL

- LEDs shall be mounted to a metal printed circuit board assembly (MCPCB).
- Vertical lens configurations shall have clear injection molded PMMA acrylic optics

ELECTRICAL

- Luminaires shall have integral surge protection that shall be U.L. recognized and have a surge current rating of 10,000 Amps using the industry standard 8/20uSec wave and surge rating of 372J.
- Drivers shall be U.L recognized with an inrush current maximum of <20.0 Amps maximum at 230VAC.
- Drivers shall not be compatible with current sourcing dimmers, consult factory for current list of known compatible dimming systems, approved dimmers include Lutron Diva AVTV, Lutron Nova NFTV and NTFTV.

CONTROLS

- SCP shall have an integral surge protection device with a current rating of 10,000 Amps using the industry standard 8/20uSec wave and surge rating of 372J
- Sensor not intended for use with additional photo-control, wireless control or dimming systems.

SERVICING

- Gear compartment shall be accessed via the removal of four 8-32 fasteners. Driver and surge suppressor shall be mounted to a pre-wired tray with quick disconnects that may be removed from the gear compartment.

ARM MOUNTING

- Luminaire shall be attached to the arm assembly with four 1/4-20 stainless steel bolts. The connection shall be sealed with a silicone compression gasket.
- Pole mounted arms shall bolt to a square pole or a 4"/100mm diameter round or square pole and secured with two bolts with a minimum 3/8-16 thread size, hardware by others.
- Wall mounted arms and brackets shall require mounting hardware by others.

FINISH

- Luminaire finish shall consist of a five stage pretreatment regimen with a polymer primer sealer, oven dry off, and top coated with a thermoset super TGIC polyester powder coat finish.
- Luminaire finish shall meet the AAMA 2604-05 performance specification which includes passing a 3000 hour salt spray test for corrosion resistance.

CERTIFICATION

- Luminaire shall be listed with ETL for outdoor, wet location use, UL1598, UL 8750 and Canadian CSA Std. C22.2 no.250.

WARRANTY / TERMS AND CONDITIONS OF SALE

Download:

<http://www.hubbellighting.com/resources/warranty/>



JOB	_____
TYPE	_____
NOTES	_____