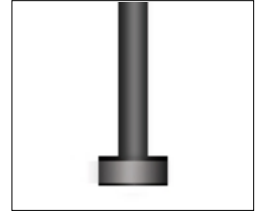


PR3 – Aluminum Pole

TYPE

3" ROUND (RD) POLE



PR3

1. BASE	2. POLE	3. OAH	4. COLOR
---------	---------	--------	----------

1. BASE	2. POLE	3. OAH	SHAFT	MAXIMUM ALLOWABLE EPA (MPH)										
				WT	85	90	100	110	120	130	140	150		
PR3	3R8-125	8' (2.4m)	3" RD x .125"	15	13.4	11.8	9.4	7.5	6.2	5.1	4.2	3.6		
PR3	3R10-125	10' (3.1m)	3" RD x .125"	18	10.1	8.8	6.9	5.5	4.4	3.5	2.9	2.3		

Note: Overall height is measured to post top adapter, or top of pole.

SPECIFICATIONS

Base shall be cast aluminum #356 alloy, free of any porosity, foreign materials, or cosmetic fillers. Base casting shall be heat treated to a T-6 condition, and of uniform wall thickness, with no warping or mold shifting.

WARNINGS

Caution must be exercised in the selection of a design wind speed when the pole is to be installed in a special wind region (as indicated by the wind map) or in an area where wind speed is unpredictable.

AAL recommends consulting a local engineer when the pole is to be installed in an area that may be subject to extreme weather and exposure

Poles installed on structures such as buildings and bridges may be subjected to vibration, oscillations, and other fatigue effects which are not covered by the AAL warranty.

The use of banners or other appendages can severely affect the loading of a pole. No banner or other appendage should be attached to an AAL pole unless approved by AAL.

If the products are to be used on an existing foundation or on other structures, the customer assumes all responsibility for the structural integrity of the existing foundation, anchorage or structures and all the consequences arising therefrom.

CAUTION

Poles should never be erected without the luminaire installed.

Anchor bolts shall be hot dip galvanized steel. Eight galvanized hex nuts and flat washers, and a bolt circle template shall be provided. Anchor bolt for poles are 3/4" x 24" x 3".

CERTIFICATION

Certified UL 1598 in accordance with Article 410 of ANSI/NFPA 70, National Electrical Code.

NOTES:

Handhole cover is not available on 8' poles, but available on 10' poles.

PR3 is used for the SP2, UCS and ALN 438.

2. COLOR

BLS	Black Gloss Smooth
BLT	Black Matte Textured
DBS	Dark Bronze Gloss Smooth
DBT	Dark Bronze Matte Textured
GTT	Graphite Matte Textured
LGS	Light Grey Gloss Smooth
LGT	Light Grey Matte Textured
PSS	Platinum Silver Smooth
VGT	Verde Green Textured
WHS	White Gloss Smooth
WHT	White Matte Textured

Color Option

CC* Custom Color

* Consult factory for custom color, marine and corrosive finish options

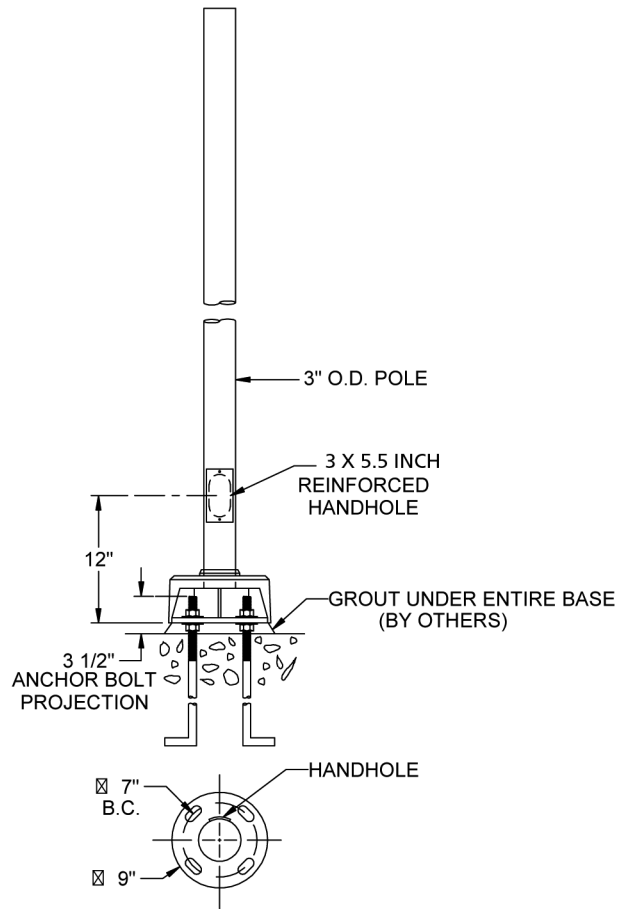
JOB _____

TYPE _____

NOTES _____



DIMENSIONS



BOTTOM VIEW
(INDICATES POLE IS LAYING DOWN WITH HANDHOLE FACING UP)

All concrete foundation details are the responsibility of a local structural engineer.