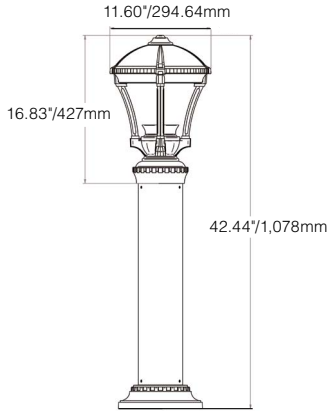




**FEATURES**

- Reliable uniform illumination
- Types II, III, IV and V distributions
- 3000K, 4000K, 5000K CCT
- 0-10V dimmable
- 20kV/10kA surge suppression
- Thermal Protection
- 13 standard powder coat finishes
- Die-Cast housing
- Full Cutoff optical system

**SPECIFICATIONS**



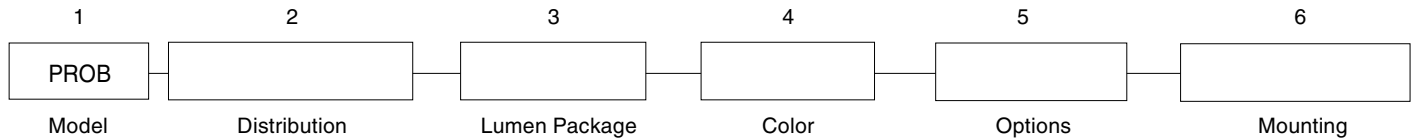
- Diameter: 11.60" / 294.64 mm
- Height: 42.44" / 1,078 mm
- Weight: 27 lbs / 12kg
- IP Rating: 66

BOTTOM VIEW



3000K and warmer CCTs only

**ORDERING INFORMATION**



**1. MODEL**

PROB Providence Bollard LED

**2. DISTRIBUTION**

- Y2 Type 2
- Y3 Type 3
- Y4 Type 4
- Y5 Type 5

**3. LUMEN PACKAGE**

- 3050 5000K CCT, 43 watts
- 3040 4000K CCT, 43 watts
- 3030 3000K CCT, 43 watts
- 2050 5000K CCT, 25 watts
- 2040 4000K CCT, 25 watts
- 2030 3000K CCT, 25 watts

**4. COLOR**

- BLS Black Gloss Smooth
- BLT Black Matte Textured
- DBS Dark Bronze Gloss Smooth
- DBT Dark Bronze Matte Textured
- GTT Graphite Matte Textured
- LGS Light Grey Gloss Smooth
- LGT Light Grey Matte Textured
- PSS Platinum Silver Gloss Smooth
- VGT Verde Green Matte Textured
- WHS White Gloss Smooth
- WHT White Matte Textured
- CC<sup>1</sup> Custom Color

<sup>1</sup> Consult factory for custom color, marine and corrosive finish

**5. OPTIONS**

- FS1 Fusing
- DSC Dark Sky Cap
- PFC Brass Painted Finial
- BPS Brass Painted Struts
- LDL Lightly Diffused Lens

**6. MOUNTING**

- FL Fluted Shaft 5" DIA.
- RD Round Shaft 5" DIA.
- PM Pier Mount



ARCHITECTURAL AREA LIGHTING  
 16555 East Gale Ave. | City of Industry | CA 91745  
 P 626.968.5666 | F 626.369.2695 | www.aal.net  
 Copyright © 2015 Rev 9.15

JOB \_\_\_\_\_  
 TYPE \_\_\_\_\_  
 NOTES \_\_\_\_\_

LUMINAIRE PERFORMANCE

Light Engine	Lensing	Distribution	Ordering Code															Average System Watts	
			Ordering Code	5000K CCT					4000K CCT					3000K CCT					
				Delivered Lumens	Efficacy (Lm/W)	BUG Rating			Delivered Lumens	Efficacy (Lm/W)	BUG Rating			Delivered Lumens	Efficacy (Lm/W)	BUG Rating			
				<b>3050</b>					<b>3040</b>					<b>3030</b>					
3000 Series	Clear Lens (Standard)	TYPE 2	<b>Y2</b>	3238	75	1	0	1	3247	76	1	0	1	2975	69	1	0	1	43
		TYPE 3	<b>Y3</b>	3261	75	1	0	1	3270	76	1	0	1	3038	70	1	1	1	
		TYPE 4	<b>Y4</b>	3253	75	1	0	1	3262	76	1	0	1	2988	69	1	0	1	
	Lightly Diffused Lens	TYPE 2	<b>Y2...LDL</b>	2386	56	1	1	1	2342	54	1	1	1	2092	49	1	1	1	
		TYPE 3	<b>Y3...LDL</b>	2385	57	1	1	1	2341	56	1	1	1	2091	50	1	1	1	
		TYPE 4	<b>Y4...LDL</b>	2295	53	1	2	1	2252	52	1	2	1	2012	47	1	2	1	
		TYPE 5	<b>Y5...LDL</b>	2234	52	1	1	1	2193	51	1	1	1	1959	46	1	1	1	
				<b>2050</b>					<b>2040</b>					<b>2030</b>					
2000 Series	Clear Lens (Standard)	TYPE 2	<b>Y2</b>	1951	78	1	0	1	1957	78	1	0	1	1792	71	1	0	1	25
		TYPE 3	<b>Y3</b>	1958	78	1	0	1	1970	78	1	0	1	1830	73	1	0	1	
		TYPE 4	<b>Y4</b>	1960	78	1	0	1	1957	78	1	0	1	1793	71	1	0	1	
	Lightly Diffused Lens	TYPE 5	<b>Y5</b>	1889	76	1	0	1	1894	76	1	0	1	1735	69	1	0	1	
		TYPE 2	<b>Y2...LDL</b>	1387	56	1	1	1	1361	54	1	1	1	1216	49	1	1	1	
		TYPE 3	<b>Y3...LDL</b>	1386	57	1	1	1	1361	56	1	1	1	1216	50	1	1	1	
		TYPE 4	<b>Y4...LDL</b>	1334	53	1	2	1	1309	52	1	2	1	1170	47	1	2	1	
TYPE 5	<b>Y5...LDL</b>	1299	52	1	1	1	1275	51	1	1	1	1139	46	1	1	1			

ELECTRICAL CHARACTERISTICS

Configuration	Driver										Inrush Current				Dimming	
	LED Drive mA	System Watts	Line Voltage		Amps AC		Min. Power Factor	Max THD (%)	Operating Temp. Range	120V		277V		Dimming Range	Source/Sink Current	
			VAC	HZ	120	277				Ipeak (A)	Ipeak (A)					
3050	3000 series	400	42	120-277	50/60	0.35	0.15	≥9	20	-40°C To +55°C	21	160 μS	49	160 μS	10% TO 100%	1mA
3040																
3020																
2050	2000 series	255	25	120-277	50/60	0.21	0.09	≥9	20	-40°C To +55°C	21	160 μS	49	160 μS	10% TO 100%	1mA
2040																
2020																

WIRING LEADS

Luminaires shall be provided with 0-10 purple and gray dimming leads.



LED COLOR

	Ordering Code		
	3K	4K	5K
CCT Average	3000K	4000K	5000K
CRI Minimum	70	70	70
S/P Ratio	1.2	1.5	1.8

Consult factory for Amber, Turtle Friendly, Gulf Coast and Observatory applications.

TM-21 LIFETIME CALCULATION

Optical System	Ordering Code	Ambient Environment °C	Projected Lumen Maintenance (% vs. Khrs)					Reported L70
			15	25	50	TM-21* 60	100	
MicroCore	<b>32LED</b>	15	100%	99%	99%	98%	97%	>96Khrs
		25	99%	99%	98%	97%	95%	
		40	98%	97%	94%	93%	89%	



ARCHITECTURAL AREA LIGHTING  
 16555 East Gale Ave. | City of Industry | CA 91745  
 P 626.968.5666 | F 626.369.2695 | www.aal.net  
 Copyright © 2015 Rev 9.15

JOB \_\_\_\_\_  
 TYPE \_\_\_\_\_  
 NOTES \_\_\_\_\_

**SPECIFICATIONS**

**HOUSING**

- Luminaire shall have discrete optical and gear compartments that do not share any physical housings.
- All housing components shall be die-cast aluminum, sealed with continuous silicone rubber gaskets.
- Standard configurations shall have a clear flat tempered glass lens
- All internal and external hardware shall be stainless steel.
- Optical bezel finish shall match the luminaire housing.

**OPTICAL**

- LEDs shall be mounted to a metal printed circuit board assembly (MCPCB) with a uniform conformal coating over the panel surface and electrical features.
- LED optics shall be clear injection molded PMMA acrylic.
- MCPCB and optic shall be sealed to a die-cast anodized aluminum heat sink with an injection molded silicone rubber gasket. IP66.

**ELECTRICAL**

- Luminaires shall have integral surge protection that shall be U.L. recognized and have a surge current rating of 10,000 Amps using the industry standard 8/20uSec wave and surge rating of 372J.
- Drivers shall be U.L recognized with an inrush current maximum of <20.0 Amps maximum at 230VAC.
- Drivers shall not be compatible with current sourcing dimmers, consult factory for current list of known compatible dimming systems, approved dimmers include Lutron Diva AVTV, Lutron Nova NFTV and NTFTV.

**SERVICING**

- Luminaire shall have tool-less service access to the gear compartment. Driver and surge suppressor shall be mounted to a prewired tray with quick disconnects that may be removed from the gear compartment.

**MOUNTING**

- Fixture shall slip over two ½" x 10" x 2" anchor bolts supported by hex nuts and washers to level fixture. Provision for water drainage at footing is recommended.
- One-piece cast aluminum arms accept the standard 3" slip fitter on the Providence fixture.
- Arms are prewired with quick disconnects.
- Wall mounted arms do not include wall mounting hardware.
- Pole mounted arms use 3/8-16 hardware bolts for attaching to the pole.

**FINISH**

- Luminaire finish shall consist of a five stage pretreatment regimen with a polymer primer sealer, oven dry off, and top coated with a thermoset super TGIC polyester powder coat finish.
- Luminaire finish shall meet the AAMA 605.2 performance specification which includes passing a 3000 hour salt spray test for corrosion resistance.

**CERTIFICATION**

- Luminaire shall be listed with ETL for outdoor, wet location use, UL1598, UL 8750 and Canadian CSA Std. C22.2 no.250.

**WARRANTY / TERMS AND CONDITIONS OF SALE**

Download: <http://www.hubbelling.com/resources/warranty/>

