

SLA9

1. ARM

2. COLOR

1. ARM

SLA9 (Slips over 4" pole. Weight: 18 lbs. EPA: 1.90)

SLA9-2 (Twin arms, slips over 4" pole. Weight: 24 lbs.

EPA: 2.44)

2. COLOR

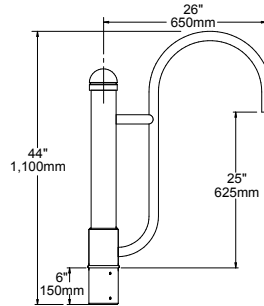
- BLS** Black Gloss Smooth
- BLT** Black Matte Textured
- DBS** Dark Bronze Gloss Smooth
- DBT** Dark Bronze Matte Textured
- GTT** Graphite Matte Textured
- LGS** Light Grey Gloss Smooth
- LGT** Light Grey Matte Textured
- PSS** Platinum Silver Smooth
- VGT** Verde Green Textured
- WHS** White Gloss Smooth
- WHT** White Matte Textured

Color Option

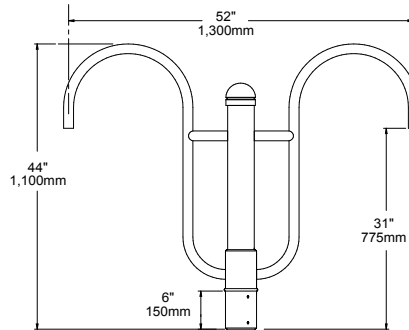
CC* Custom Color

* Consult factory for custom color, marine and corrosive finish options

DIMENSIONS



SLA9 (4" pole)



SLA9-2 (4" pole)

SPECIFICATIONS

The arm shall be of one piece unitized aluminum construction, fully welded and assembled. The slip fitter shall be cast aluminum with an internal wireway and pole stop. The arm shall be prewired with a quick connector for easy installation.

The arms shall have a cast aluminum fitter welded to the top of the arm for attaching the fixture. The fixture shall be mounted with three stainless steel bolts through the top of the arm fitter into the fixture. The attachment point shall have a silicone pad for sealing the fixture to arm connection.

The arm shall slip over a 4"/100mm diameter pole or tenon. The cast aluminum slip fitter shall have six stainless steel cup point set screws for securing the arm to the pole or tenon.

JOB _____
 TYPE _____
 NOTES _____