

SP2 – Spectra™ Small Scale

TYPE

- Four hood styles and four lens elements to configure a look of harmony with your architecture
- Symmetric or asymmetric distribution
- Post-top, wall mount arm, or pole mount arm options
- Adaptable appearance is perfect for contemporary or traditional installations
- Stainless steel struts



SP2

1. HOOD STYLE	2. LENS/ELEMENT	3. LAMP/BALLAST	4. COLOR	5. OPTIONS	6. MOUNTING

1. HOOD STYLE (HT: 29.2"/740 mm EPA: 2.27 WT: 46lbs)

ANGLED FLARED STRAIGHT DOUBLE
ANG FLR STRDBL

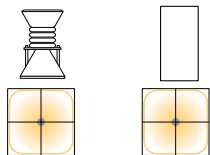
2. LENS/ELEMENT

FROSTED GLASS DIFFUSER

GLA

LIGHTLY DIFFUSED LENS (Not for LED)

LDL (Type 5)



GLA

LDL

3. LAMP/BALLAST

LED (120 thru 277 volt)

Symmetric distribution. 20.9 watts

18LED-BW (5000K CCT)

18LED-NW (4000K CCT)

18LED-WW (3000K CCT)

Asymmetric distribution. 12.2 watts

9LED-BW (5100K CCT)

9LED-NW (4200K CCT)

9LED-WW (3000K CCT)

4. COLOR

BLS Black Gloss Smooth
BLT Black Matte Textured
DBS Dark Bronze Gloss Smooth
DBT Dark Bronze Matte Textured
GTT Graphite Matte Textured
LGS Light Grey Gloss Smooth
LGT Light Grey Matte Textured
PSS Platinum Silver Smooth
VGT Verde Green Textured
WHS White Gloss Smooth
WHT White Matte Textured

Color Option

CC* Custom Color

5. OPTIONS

AD4 (SP2 adaptor. Designed to slip over a 4"/100mm O.D. pole)
 LDL (Lightly diffused lens)

SCP (Sensor Control Programmable) pole accessory is available to provide occupancy detection for outdoor applications meeting California Title 24. For complete spec sheet and ordering information, visit www.aal.net/products/sensor_control_programmable/

6. MOUNTING

All arms regardless of hood diameter, have a 4"/100mm distance from the edge of the shade to the pole centerline or face of the wall.

WALL MOUNT

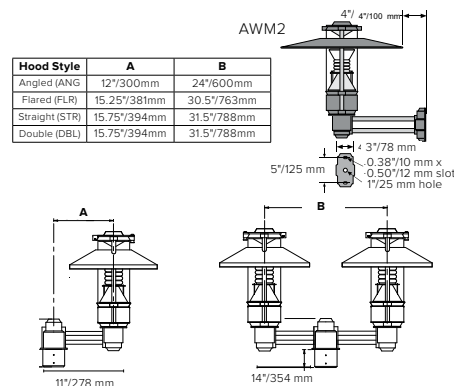
AWM2 (Wall plate is 6.375"/162mm x 3.5"/89mm)
 WT: 5 lbs. EPA: 0.11)

POLE MOUNT

SAP2 (Single - Wt: 9lbs EPA: .63)

TAP2 (Twin - Wt: 12lbs EPA: .83)

Post Top Mount (Slips over a 3"/75mm pole)



Slip over a 4"/100 mm O.D. pole

Visit www.aal.net for Arms, Poles & Accessories Specification Guide

SPECIFICATIONS

HOUSING

The fixture housing shall be all cast aluminum, A356 alloy, free of any porosity, foreign materials, or cosmetic fillers. The top shall seal with a molded silicone gasket. The upper reflector cone shall be matte finished anodized aluminum. The lens shall be clear seamless acrylic sealed to the housing with a molded silicone gasket on the top and bottom. The vertical struts shall be 316 stainless steel tubing. All internal and external hardware shall be stainless steel. All female threads on the aluminum parts shall be cast-in-place brass inserts to ensure no thread seizure.

HOOD

The hoods shall be spun from 6061 T-6 aluminum. The shade shall have hemmed or beaded edges for added strength. The undersides of the hoods are painted to match the fixture color.

LENSES/ELEMENTS

All lenses shall be molded, seamless high impact lighting grade acrylic.

The GLA element shall be frosted borosilicate glass with a twist on connection to the lower cone assembly. The cone shall be matte finished anodized aluminum.

The LDL lens shall be acrylic with a lightly diffused internal finish.

ELECTRICAL

The LED driver shall be integral to the fixture mounted on a prewired module with a quick disconnect plug. The driver shall accept 120 thru 277 volts input, with output drive current of 350ma. Standard color temperatures for LEDs shall be 3000K, 4000K, and 5000K.

CONTROLS

- SCP shall have an integral surge protection device with a current rating of 10,000 Amps using the industry standard 8/20uSec wave and surge rating of 372J
- Sensor not intended for use with additional photo-control, wireless control or dimming systems.

See next page

JOB _____

TYPE _____

NOTES _____

SP2 – Spectra™ Small Scale

TYPE

FINISH

Fixture finish shall consist of a five stage pretreatment regimen with a polymer primer sealer, oven dry off, and top coated with a thermoset super TGIC polyester powder coat finish. The finish shall meet the AAMA 605.2 performance specification which includes passing a 3000 hour salt spray test for corrosion resistance.

ARM AND POLE MOUNTING

The pole mounted arm for a single fixture (SAP) and pole mounted arm for two fixtures at 180° (TAP) shall have a cast aluminum post top and fixture fitter with two round horizontal stainless steel bars. The post fitter shall slip over a 3"/75mm pole and be secured with six stainless steel set screws.

The wall mounted arms for a SP2 fixture shall have a cast aluminum wall plate, cover and fixture fitter with two round horizontal stainless steel bars. The cover shall secure to the wall plate with four stainless steel set screws.

CERTIFICATION

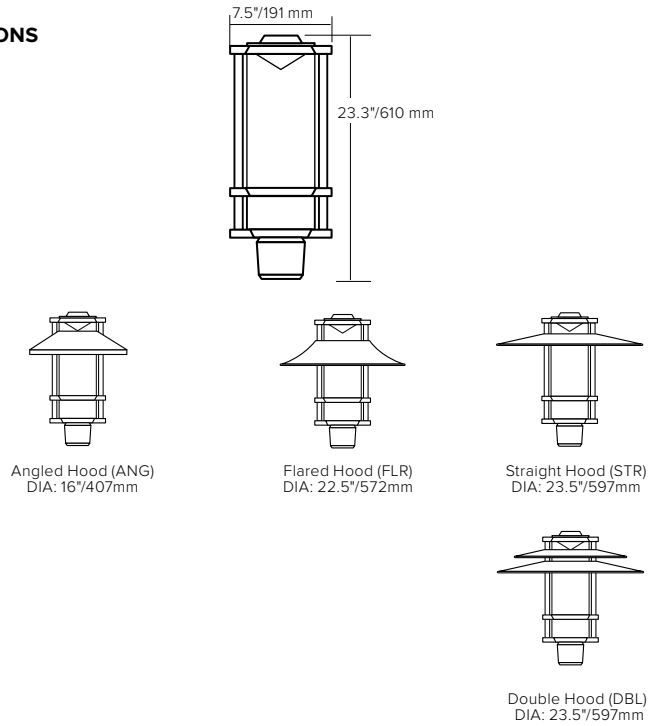
Fixtures shall be listed with ETL for outdoor, wet location use, UL1598 and Canadian CSA Std. C22.2 no.250.

WARRANTY / TERMS AND CONDITIONS OF SALE

Download:

<http://www.hubbellighting.com/resources/warranty/>

DIMENSIONS



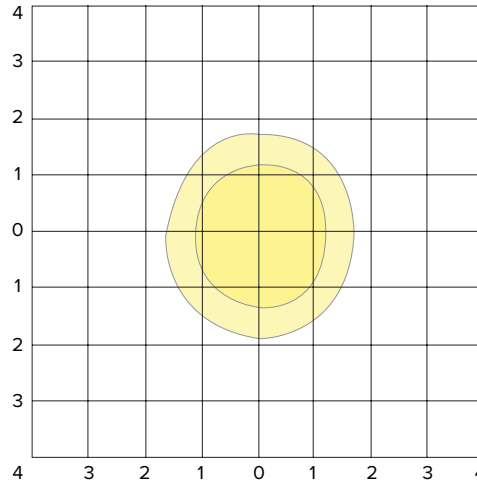
LUMINAIRE DATA

Description	4000K, 70CRI
Delivered Lumens	1100
Watts	20.9
Efficacy	53
IES Type	VS
BUG Rating	B1-U3-G1
Mounting Height	15 ft
Grid Scale	4 ft

ZONAL LUMEN SUMMARY

Zone	Lumens	% Luminaire
Downward Street Side	491	45%
Downward House Side	491	45%
Downward Total	952	89%
Upward Street Side	90	8%
Upward House Side	2	3%
Upward Total	118	11%
Total Flux	1100	100%

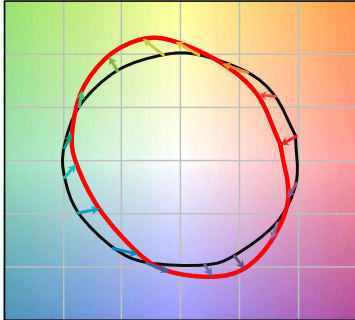
ISOFOOT CANDLE PLOT



AAL reserves the right to change product specifications without notice.

TM-30 DATA

COLOR VECTOR GRAPHIC

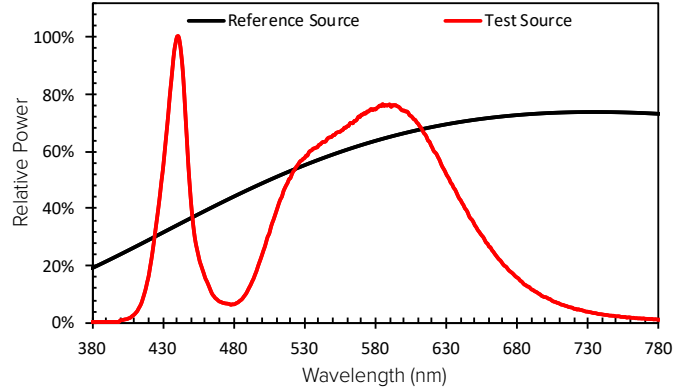


— Reference Illuminant — Test Source

TEST SOURCE

R _f	68
R _g	99
CCT(K)	3947
D _{uv}	0.0004
x	0.3831
y	0.3793
CIE R _a	72

SPECTRAL POWER DISTRIBUTION COMPARISON



DELIVERED LUMENS

LEDs #	Nominal Watts	Nominal Lumens	Distribution	3000K 70CRI					4000K 70CRI					5000K 70CRI				
				Lumen	BUG Rating			lm/w	Lumen	BUG Rating			lm/w	Lumen	BUG Rating			lm/w
					B	U	G			B	U	G			B	U	G	
9LED	12	500	Type 5	551	0	2	1	45.2	569	0	2	1	46.6	635	1	3	2	52.0
18LED	20	1000	Type 5	1066	1	3	1	51.0	1100	1	3	1	52.6	1228	1	3	1	58.8

ELECTRICAL DATA

# LED	System Watts	Drive Current	Electrical							Dimming					
			Line Voltage		Amps AC				Min. Power Factor	Max THD (%)	Dimming Range	Source current out of 0-10V		Absolute voltage range on 0-10V (+)	
			VAC	Hz	120	208	240	277				Min	Max	Min	Max
9LED	12.2	350mA	120-77	50/60	0.10	0.06	0.05	0.04	>0.9	20	10% to 100%	0mA	1mA	0V	10V
18LED	20.1				0.17	0.10	0.08	0.07							