

SP2 – Spectra™ Small Scale

TYPE

- Four hood styles and four lens elements to configure a look of harmony with your architecture
- Symmetric or asymmetric distribution
- Post-top, wall mount arm, or pole mount arm options
- Tool-less access with captive fastener

- Adaptable appearance is perfect for contemporary or traditional installations
- Stainless steel struts
- Powder coat finish in 13 standard colors with a polymer primer sealer



SP2

1. HOOD STYLE	2. LENS/ELEMENT	3. LAMP/BALLAST	4. HOOD FINISH	5. COLOR	6. OPTIONS	7. MOUNTING

1. HOOD STYLE (HT: 29.2"/740 mm EPA: 2.27 WT: 46lbs)

ANGLED FLARED STRAIGHT DOUBLE
ANG FLR STR DBL

INDIRECT (Not for LED)

IND (Type 3) IND (Type 5)

IND - FCO (Full cutoff)

2. LENS/ELEMENT

FROSTED GLASS DIFFUSER

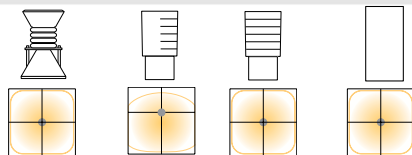
GLA

GLASS REFRACTOR (Not for LED)

GR3 (Type 3) GR5 (Type 5)

LIGHTLY DIFFUSED LENS (Not for LED)

LDL (Type 5)



GLA

GR3

GR5

LDL

3. LAMP/BALLAST

LED (120 thru 277 volt)

Symmetric distribution. 20.9 watts

18LED-BW (5000K CCT)

18LED-WW (3000K CCT)

18LED-NW (4000K CCT)

Asymmetric distribution. 12.2 watts

9LED-BW (5100K CCT)

9LED-WW (3000K CCT)

9LED-NW (4200K CCT)

COMPACT FLUORESCENT (120 thru 277 volt)

CF (Specify 26, 32, or 42 watt lamp.)

METAL HALIDE (120/277 volt)

Medium base, ED-17 lamp

50MH 70MH 100MH

G12 base, T-6 ceramic lamp

70MHT6

ELECTRONIC METAL HALIDE (120 thru 277 volt)

Medium base, ED-17 lamp

50MHEB 70MHEB 100MHEB

G12 base, T-6 ceramic lamp

70MHT6EB

HIGH PRESSURE SODIUM (120/208/240/277 volt)

Medium base, ED-17 lamp

50HPS 70HPS 100HPS

All ballasts are factory wired for 277 volts, unless specified. Lamps not included.

4. HOOD FINISH (OPTIONAL)

Hood finish will match luminaire finish unless selecting one of these options. Hood underside is unfinished to develop a patina.

STS (Stainless steel)

COP (Natural copper)

5. COLOR

WH Arctic White

BL Black

BLT Matte Black

DB Dark Bronze

DGN Dark Green

TT Titanium

WDB Weathered Bronze

MDB Bronze Metallic

VBU Verde Blue

CRT Corten

MAL Matte Aluminum

MG Medium Grey

AGN Antique Green

LG Light Grey

RAL Premium Color

CUSTOM * * Contact Factory

6. OPTIONS

347 (347 volt ballast 120/227/347. Not available with electronic ballast)

AD4 (SP2 adaptor. Designed to slip over a 4"/100mm O.D. pole)

ULS (Upper lens shield in the upper lens area. Provides cutoff optics (1.2% uplight). Indirect only. Only available for IND3 & IND5)

LDL (Lightly diffused lens)

SCP (Sensor Control Programmable) pole accessory is available to provide occupancy detection for outdoor applications meeting California Title 24. For complete spec sheet and ordering information, visit www.aal.net/products/sensor_control_programmable/

7. MOUNTING

All arms regardless of hood diameter, have a 4"/100mm distance from the edge of the shade to the pole centerline or face of the wall.

WALL MOUNT

AWM2 (Wall plate is 6.375"/162mm x 3.5"/89mm

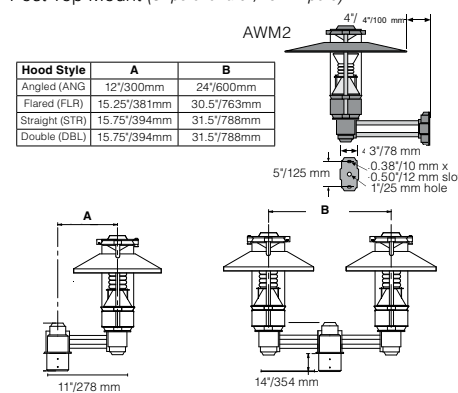
WT: 5 lbs. EPA: 0.11)

POLE MOUNT

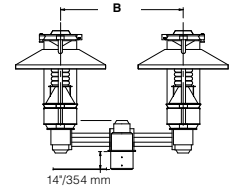
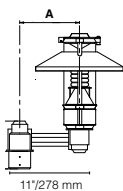
SAP2 (Single - Wt: 9lbs EPA: .63)

TAP2 (Twin - Wt: 12lbs EPA: .83)

Post Top Mount (Slips over a 3"/75mm pole)



Hood Style	A	B
Angled (ANG)	12"/300mm	24"/600mm
Flared (FLR)	15.25"/381mm	30.5"/763mm
Straight (STR)	15.75"/394mm	31.5"/788mm
Double (DBL)	15.75"/394mm	31.5"/788mm



SAP2

Slip over a 4"/100 mm O.D. pole

Visit www.aal.net for Arms, Poles & Accessories Specification Guide

TAP2

Slip over a 4"/100 mm O.D. pole

SPECIFICATIONS

HOUSING

The fixture housing shall be all cast aluminum, A356 alloy, free of any porosity, foreign materials, or cosmetic fillers. The ballast shall be mounted internally and accessed by loosening two captive bolts and lifting off the top of the fixture. The top cover shall be hinged and secured with one captive tool-less fastener for relamping. The top shall seal with a molded silicone gasket. The upper reflector cone shall be matte finished anodized aluminum. The lens shall be clear seamless acrylic sealed to the housing with a molded silicone gasket on the top and bottom. The vertical struts shall be 316 stainless steel tubing. All internal and external hardware shall be stainless steel. All female threads on the aluminum parts shall be cast-in-place brass inserts to ensure no thread seizure.

HOOD

The hoods shall be spun from 6061 T-6 aluminum, 316 stainless steel or 110 copper. The shade shall have hemmed or beaded edges for added strength. The underside of the painted shades and all indirect shades (of aluminum, stainless steel or copper) shall be painted a high reflectance white. Stainless steel and copper shade shall be unfinished on both sides, except for the indirect (IND) models. Stainless steel hood not available with FCO model

LENSES/ELEMENTS

All lenses shall be molded, seamless high impact lighting grade acrylic.

The GLA element shall be frosted borosilicate glass with a twist on connection to the lower cone assembly. The cone shall be matte finished anodized aluminum.

The GR3 and GR5 shall be precision molded borosilicate glass refractors with the Type 3 or Type 5 distribution. The refractors shall be mounted to a gasketed aluminum holder with an internal pressure plate.

The LDL lens shall be acrylic with a lightly diffused internal finish.

The IND indirect fixtures shall have a clear acrylic lens with a lower reflector cone and an upper diffusing cone.

See next page

JOB _____

TYPE _____

NOTES _____



ARCHITECTURAL AREA LIGHTING

16555 East Gale Ave. | City of Industry | CA 91745

P 626.968.5666 | F 626.369.2695 | www.aal.net

Copyright © 2012 | REV 2.15

The one-piece hood and lens shield provides IES full cutoff classification meaning there is zero light emitted above 90° horizontal. The lens shield is aluminum and painted to match the fixture color (IND-FCO only).

ELECTRICAL

The ballast shall be integral to the fixture, mounted on a prewired module with a quick disconnect plug. The ballast module shall have keyhole slots and be removable by loosening two screws. Sockets shall be pulse rated porcelain. HID ballasts shall be high power factor, rate for -30°C starting. The compact fluorescent ballast shall be electronic for use with 4 pin lamps (GX24q-4 socket) rated for -18°C starting temperature.

CONTROLS

- SCP shall have an integral surge protection device with a current rating of 10,000 Amps using the industry standard 8/20uSec wave and sure rating of 372J
- Sensor not intended for use with additional photo-control, wireless control or dimming systems.

FINISH

Fixture finish shall consist of a five stage pretreatment regimen with a polymer primer sealer, oven dry off, and top coated with a thermoset super TGIC polyester powder coat finish. The finish shall meet the AAMA 605.2 performance specification which includes passing a 3000 hour salt spray test for corrosion resistance.

ARM AND POLE MOUNTING

The pole mounted arm for a single fixture (SAP) and pole mounted arm for two fixtures at 180° (TAP) shall have a cast aluminum post top and fixture fitter with two round horizontal stainless steel bars. The post fitter shall slip over a 3"/75mm pole and be secured with six stainless steel set screws.

The wall mounted arms for a SP2 fixture shall have a cast aluminum wall plate, cover and fixture fitter with two round horizontal stainless steel bars. The cover shall secure to the wall plate with four stainless steel set screws.

CERTIFICATION

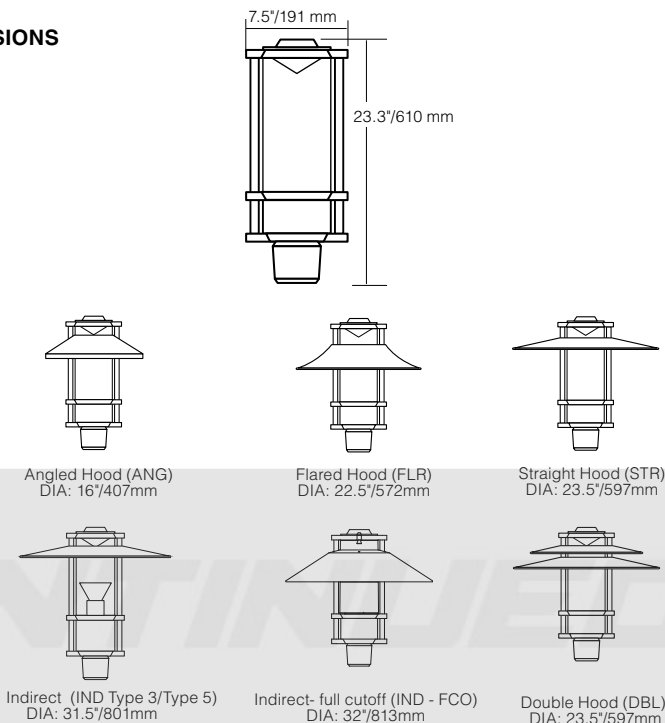
Fixtures shall be listed with ETL for outdoor, wet location use, UL1598 and Canadian CSA Std. C22.2 no.250.

WARRANTY / TERMS AND CONDITIONS OF SALE

Download:

<http://www.hubbelling.com/resources/warranty/>

DIMENSIONS



SP2 IND3

WATTAGE: 123

LUMEN OUTPUT: 3337

EFFICACY: 69.1

B1 U3 G2

FORWARD LIGHT LUMEN

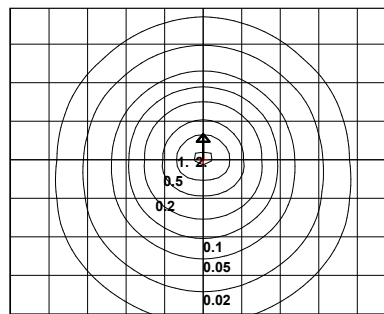
FL	30°	4.0%	338
FM	60°	8.0%	676
FH	80°	3.5%	295
FVH	90°	0.7%	61

BACK LIGHT

BL	30°	3.7%	311
BM	60°	7.8%	664
BH	80°	4.5%	383
BVH	90°	1.2%	100

UPLIGHT

UL	100°	1.3%	113
UH	180°	4.7%	398



Mounting Height	Multiplier
10	4.000
15	1.778
20	1.000
25	0.640
30	0.444
35	0.327
40	0.250
45	0.198
50	0.160

UPLIGHT 15.3%
DOWNLIGHT 84.7%

SP2 18LED BW

WATTAGE: 20.9

LUMEN OUTPUT: 1116

EFFICACY: 53.4

B1 U3 G1

FORWARD LIGHT LUMEN

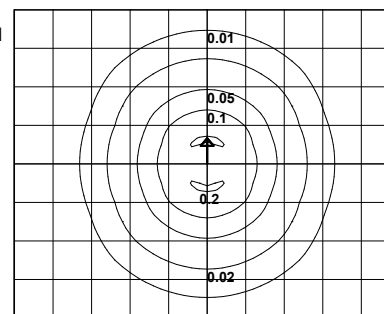
FL	30°	3.2%	36
FM	60°	17.6%	196
FH	80°	16.8%	187
FVH	90°	7.1%	79

BACK LIGHT

BL	30°	3.2%	36
BM	60°	17.6%	196
BH	80°	16.8%	187
BVH	90°	7.1%	79

UPLIGHT

UL	100°	8.2%	91
UH	180°	2.6%	29



Mounting Height	Multiplier
10	4.000
15	1.778
20	1.000
25	0.640
30	0.444
35	0.327
40	0.250
45	0.198
50	0.160

UPLIGHT 10.7%
DOWNLIGHT 89.3%

AAL reserves the right to change product specifications without notice.

[IES files can be found at www.aal.net](http://www.aal.net)



ARCHITECTURAL AREA LIGHTING
16555 East Gale Ave. | City of Industry | CA 91745
P 626.968.5666 | F 626.369.2695 | www.aal.net
Copyright © 2012 | REV 2.15