

6" Horizontal Quad Open & Wall Wash Downlights **CFR626EB**

Two 26W Quad Tube 4-Pin Lamps
Non-IC Rated
120V, 208V, 240V, 277V, or 347V

DATE: _____ TYPE: _____

FIRM NAME: _____

PROJECT: _____

Architektür

Ceiling Cutout: 6 1/4"
Maximum Ceiling Thickness: 1 1/4"

For conversion to millimeters,
multiply inches by 25.4

Not to Scale

Featuring VirtualSource55 Reflectors

Featuring VirtualSource Reflectors

APPLICATIONS:

The CFR6 series offers horizontally lamped compact fluorescent downlight and wall wash fixture that provides superior brightness and glare control. This series is ideal for a wide variety of low to medium height ceiling applications including commercial, retail, and hospitality. The CFR6 series of luminaires is compatible with the Signos6 family of architectural elements.

HOUSING:

One-piece 18-gauge galvanized steel platform. Prewired J-box with snap-on cover for easy access. Vented at lamp tip and socket for maximum light output. Same housing accommodates downlight and wall wash downlight reflectors. 347V available.

REFLECTOR:

High purity aluminum Alzak Virtual Source® iridescence suppressed reflector. Self-trim standard. Painted white self-trim available. Baffled units standard with painted white self-trim.

BALLAST:

One (1) compact fluorescent Class 'P' electronic multi-volt (120V through 277V) ballast for long life and quiet operation. EOL protection standard. Accessible from below ceiling. 347V available.

LAMP:

Two (2) 26W quad tube with G24q-3 base lamps. Lamps furnished by others or as option below.

SOCKET:

Two (2) injection molded sockets (vented).

INSTALLATION:

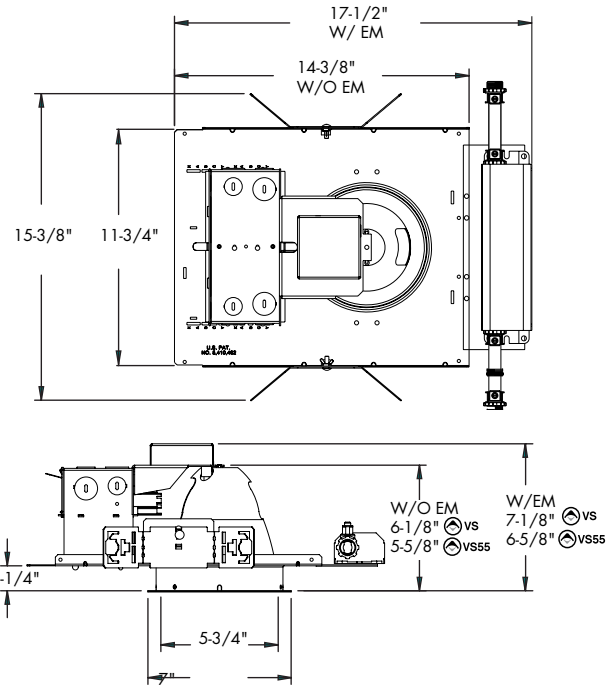
Universal adjustable mounting brackets accommodate 1 1/2" or 3/4" lathing channel or 1/2" EMT (by others), or Prescolite 24" bar hangers (B24 or B6).

LABELS:

UL listed or UL/CSA listed with CDN option for damp locations. Approved for through wiring. Non-type I.C.

LAMP INCLUDED OPTION:

Specify lamp type Q4 (Quad 4-pin) and temperature as shown below.



CATALOG NUMBER: _____

Order housing, reflector, and accessories separately

EXAMPLE: CFR626EB ST372A LP26Q430K B6

HOUSINGS		HOUSING OPTIONS		REFLECTORS		REFLECTOR COLOR		ACCESSORIES																			
<input type="checkbox"/> CFR626EB 6", (2) 26W quad tube, multi-volt electronic ballast.	<input type="checkbox"/> CFR626EB55² 6", (2) 26W quad tube, multi-volt electronic ballast, 55 Degree Cut-off.	<input type="checkbox"/> CDN Canadian electrical code compliant ballast disconnect	<input type="checkbox"/> CDN 347V¹ Canadian electrical code compliant ballast disconnect	<input type="checkbox"/> CP^{6,7} Chicago Plenum. Fixture construction and/or specifications may vary. Refer to Chicago Plenum specification sheets on www.prescolite.com for details. (Prefix housing catalog number)	<input type="checkbox"/> DM Electronic Analog Dimming Ballast to 3%, 4-wire, 0-10V, analog (120V through 277V)	<input type="checkbox"/> ECDM Lutron EcoSystem or 3-wire line voltage dimming ballast (120-277V). Dims to 5%.	<input type="checkbox"/> 7DM Advance Mark 7 Dimming Ballast to 5%, 4-wire, 0-10V, analog (120V through 277V)	<input type="checkbox"/> XDM Advance Mark 10 Dimming Ballast to 5%, 2-wire, line voltage (specify voltage/wattage)	<input type="checkbox"/> EM³ Emergency battery pack with integral test switch and indicator light	<input type="checkbox"/> RIF1 Radio interference filter (single circuit)	<input type="checkbox"/> RIF2 Radio interference filter (two circuit)	<input type="checkbox"/> SYL⁴ Osram Sylvania Ballast (available only for standard EB option)	<input type="checkbox"/> FSDFA Fuse kit installed at factory	<input type="checkbox"/> SMT Philips Advance SmartMate® ballast	<input type="checkbox"/> ST372A 6" Alzak reflector	<input type="checkbox"/> ST372A55² 6" Alzak reflector, 55 Degree Cut-off	<input type="checkbox"/> Blank Clear Alzak	<input type="checkbox"/> CG Champagne Gold Alzak	<input type="checkbox"/> BL Black Alzak	<input type="checkbox"/> WE Wheat Alzak	<input type="checkbox"/> LW Light Wheat Alzak	<input type="checkbox"/> PW Pewter Alzak	<input type="checkbox"/> B24 Set of two (2) 24" bar hangers for T-bar ceilings	<input type="checkbox"/> B6 Set of two (2) bar hangers for ceiling joists up to 24" centers	<input type="checkbox"/> FSDFI Fuse kit for field installation	<input type="checkbox"/> SCA6D Sloped ceiling adapter (see note on back page)	<input type="checkbox"/> Signos6^{3,8} Architectural glass elements Refer to specification sheets ARCH-SIG-001 through -004
				REFLECTOR FINISH		REFLECTOR OPTIONS		LAMP ACCESSORIES																			
				<input type="checkbox"/> Blank Specular <input type="checkbox"/> SS Semi-Specular <input type="checkbox"/> MFC⁵ American Matte™		<input type="checkbox"/> BB^{5,8} Painted black baffle <input type="checkbox"/> WB^{5,8} Painted white baffle <input type="checkbox"/> WT Painted white self-flange <input type="checkbox"/> WW⁵ Wall wash reflector <input type="checkbox"/> TRG Trim Ring Gasket (factory installed)		<input type="checkbox"/> LP -wattage= 26 -type= Q4 (Quad 4-pin), -temp= 27K, 30K, 35K, 41K (Kelvin) *Example: LP26Q441K Requires two lamps.																			
				¹ Dimming options not available in 347V. ² 55' option must be chosen on both the housing and reflector. ³ Not valid with lensed trim. ⁴ Available for Osram Sylvania Quick 60+® Limited Warranty when used with Osram lamp(s). See www.prescolite.com for details. ⁵ Not available with ST372A55 reflector ⁶ Top access required to service ballast. ⁷ Contact Technical Support for availability with 55 degree cut-off housings. ⁸ Not available for wall wash		Painted Options* <input type="checkbox"/> WC⁸ White Cone <input type="checkbox"/> BC⁸ Black Cone *All painted options come standard with an upper specular clear Alzak reflector. For regressed lens only.																					



In a continuing effort to offer the best product possible we reserve the right to change, without notice, specifications or materials that in our opinion will not alter the function of the product.
Web: www.prescolite.com • Tech Support: (888) 777-4832

ARCH-CFL-003

PHOTOMETRIC DATA

Architektür - 6" Horizontal Quad Open & Wall Wash Downlights - CFR SERIES

BALLAST DATA

	26W Quad		
	120V	277V	347V
Total System Watts	57W	57W	58W
Input Current (Amps)	0.48	0.21	0.17
Input Frequency in Hz	50/60	50/60	50/60
Power Factor	>97%	>97%	>97%
Ballast Factor	>98%	>98%	1
Total Harmonic Distortion	<10%	<10%	<10%
Minimum Starting Temp.	-18°C (0°F)	-18°C (0°F)	-18°C (0°F)

LAMP DATA (two per fixture)

Rated Watts	26W Quad
Rated Lumens	1800
Efficacy	69
Rated Life	10,000 hours
CRI	82
Min. Starting Temp	0°F

CFR626EB-ST372 vs Clear Alzak Reflector

Lamp: Two 26W Quad

Spacing Criteria:

0°=1.2

90°=1.4

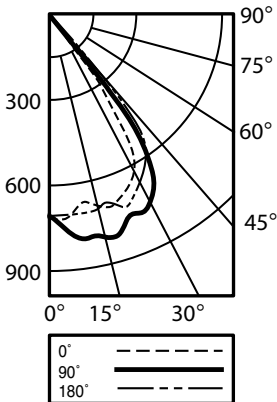
Efficiency: 32.5%

LUMINANCE DATA IN CANDELA/SQ. METER

Angle in Vertical	Average 0°	Average 45°	Average 90°
45°	6500	10284	12999
55°	0	0	0
65°	0	0	0
75°	0	0	0
85°	0	0	0

Test No. PL5200

CANDLEPOWER DISTRIBUTION



Test No. PL5200

CANDLEPOWER SUMMARY

Angle	0°	45°	90°
0	706	706	706
5	765	751	714
15	814	789	686
25	764	766	674
35	623	575	516
45	154	121	77
55	0	0	0
65	0	0	0
75	0	0	0
85	0	0	0

COEFFICIENTS OF UTILIZATION Zonal Cavity Method

Room Cavity Ratio	% Effective Ceiling Cavity Reflectance				% Effective Floor Cavity Reflectance											
	80%				70%				50%				30%			
	20%				10%				5%				0%			
	70	50	30	10	70	50	30	10	50	10	50	10	50	10		
1	.37	.36	.35	.35	.36	.34	.34	.33	.33	.32	.32	.32	.32	.32		
3	.33	.31	.30	.29	.33	.29	.30	.28	.29	.28	.28	.28	.28	.28		
5	.30	.28	.26	.24	.30	.24	.27	.24	.26	.24	.24	.24	.24	.24		
7	.27	.24	.22	.21	.27	.20	.23	.20	.23	.20	.23	.20	.23	.20		
9	.24	.21	.19	.17	.23	.17	.20	.17	.20	.17	.20	.17	.20	.17		

CFR626EB-ST372 vs Test No. PL5200

NOTES

vs Denotes a Virtual Source reflector.

Refer to www.prescolite.com for additional photometric tests (IES Files).

When ordering a sloped ceiling adapter, specify the degree of slope in 5° increments, max. of 35°. For a more precise degree or wet ceiling applications, please contact factory. Sloped ceiling adapter and housing must be installed at the same time.

Note: Use of horizontally-lamped open downlights with amalgam-based CFL lamps in air-handling plenums is not recommended because cool air flow over the lamps will result in reduced light output. Prescolite recommends vertical lamp downlights or use of the regressed lensed trim option for horizontal downlights in these applications to reduce this effect. Refer to Prescolite White Paper WP0003 at www.prescolite.com for more information.



Web: www.prescolite.com • Tech Support: (888) 777-4832

701 Millennium Blvd. • Greenville, SC 29607 U.S.A. • Phone (864) 678-1000

Copyright ©2018 Prescolite, Inc., a division of Hubbell Lighting, Inc. All Rights Reserved

Specifications subject to change without notice. • Printed in U.S.A. • ARCH-CFL-003 • 8/7/18



HUBBELL
Lighting, Inc.

PHOTOMETRIC DATA

Architektür - 6" Horizontal Quad Open & Wall Wash Downlights - CFR SERIES

CFR626EB55-ST37255 Clear Alzak Reflector

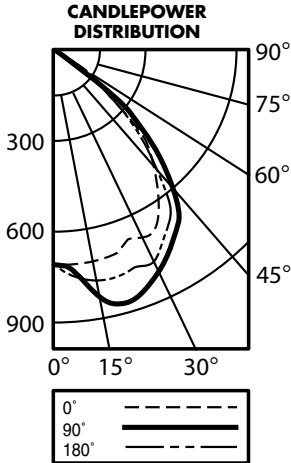
Lamp: Two 26W Quad

Spacing Criteria:

0°=1.4

90°=1.5

Efficiency: 51.5%



Angle	0°	45°	90°
0	702	702	702
5	700	715	730
15	688	801	853
25	678	807	830
35	623	719	719
45	484	544	548
55	236	265	267
65	9	9	9
75	2	2	2
85	0	0	0

Test No. 2894

LUMINANCE DATA IN CANDELA/SQ. METER

vs55

Angle in Vertical	Average 0°	Average 90°	Average 180°
45°	40842	46243	43627
55°	24551	27776	22679
65°	1271	1271	1130
75°	461	461	461
85°	0	0	0

Test No. 2894

COEFFICIENTS OF UTILIZATION

Zonal Cavity Method

Room Cavity Ratio	% Effective Ceiling Cavity Reflectance									
	80%	70%	50%	30%						
	20% Effective Floor Cavity Reflectance									
	% Wall Reflectance									
	70	50	30	10	70	10	50	10	50	10
1	.58	.56	.54	.53	.56	.52	.53	.50	.51	.49
3	.50	.46	.42	.40	.49	.39	.43	.39	.42	.38
5	.43	.37	.34	.31	.42	.30	.36	.30	.35	.30
7	.37	.31	.27	.24	.36	.24	.30	.24	.29	.24
9	.32	.26	.22	.20	.32	.20	.25	.20	.25	.20

CFR626EB55-ST37255



Test No. 2894

vs55

AVERAGE INITIAL FOOTCANDLES ON WORKPLANE


Assumptions:

1. Ceiling 80% Wall 50% Floor 20%
2. 4 Luminaires evenly spaced in the center of the room.
3. The room is square and has a width and length equal to twice the luminaire spacing (LS).
4. RCR is Room Cavity Ratio
5. Dirt and Lumen Depreciation Factors are 1.0
6. Ballast Factor is 1.0 for ballasted fixtures.
7. h_{rc} is height between fixtures and workplane

LS (Feet)	h_{rc} (Feet)	Standard Reflector	55 Degree Option
		Average Initial  vs Footcandles	Average Initial  vs55 Footcandles
7.0	10	17	22
8.0	11	13	17
9.0	13	10	13
10.0	14	8	11

Test No. PL5200/2894

NOTES

vs Denotes a Virtual Source reflector.

Refer to www.prescolite.com for additional photometric tests (IES Files).

When ordering a sloped ceiling adapter, specify the degree of slope in 5° increments, max. of 35°. For a more precise degree or wet ceiling applications, please contact factory. Sloped ceiling adapter and housing must be installed at the same time.

Note: Use of horizontally-lamped open downlights with amalgam-based CFL lamps in air-handling plenums is not recommended because cool air flow over the lamps will result in reduced light output. Prescolite recommends vertical lamp downlights or use of the regressed lensed trim option for horizontal downlights in these applications to reduce this effect. Refer to Prescolite White Paper WP0003 at www.prescolite.com for more information.



Web: www.prescolite.com • Tech Support: (888) 777-4832

701 Millennium Blvd. • Greenville, SC 29607 U.S.A. • Phone (864) 678-1000

Copyright ©2018 Prescolite, Inc., a division of Hubbell Lighting, Inc. All Rights Reserved

Specifications subject to change without notice. • Printed in U.S.A. • ARCH-CFL-003 • 8/7/18



HUBBELL
Lighting, Inc.