

8" Horizontal Open & Wall Wash Downlight CFT832HEB

One 26W, 32W, or 42W Triple Tube
4-Pin Lamp
Non-IC Rated
120V, 208V, 240V, 277V, or 347V

Featuring VirtualSource VS Reflectors

APPLICATIONS:

The CFT832HEB offers a horizontally lamped compact fluorescent downlight and wall wash fixture that provides superior brightness and glare control. The multi-watt, multi-volt ballast provides the ability to change wattages by simply changing the lamp. This luminaire is ideal for a wide variety of medium to high ceiling applications including commercial, retail, and hospitality. The CFT832HEB is compatible with the Signos8 family of architectural elements.

HOUSING:

One-piece galvanized 18-gauge galvanized steel platform. Prewired J-box with snap-on cover for easy access. Vented at lamp tip and socket for maximum light output. Same housing accommodates downlight and wall wash downlight reflectors.

REFLECTOR:

High purity aluminum Alzak Virtual Source® iridescence suppressed reflector. Self-trim standard. Painted white self-trim available. Baffled units standard with painted white self-trim.

BALLAST:

One (1) compact fluorescent Class 'P' electronic multi-volt (120V through 277V) ballast suitable for operating all 26W, 32W, and 42W triple tube lamps. HPF and EOL protection standard. Accessible from below ceiling. 347V available (specify wattage when ordering).

LAMP:

One (1) 26W (GX24q-3 base), 32W (GX24q-3 base), or 42W (GX24q-4 base) 4-pin triple tube compact fluorescent lamp. Lamp furnished by others or as option below.

SOCKET:

One (1) injection molded socket suitable for 26W, 32W, and 42W triple tube lamps (vented).

INSTALLATION:

Universal adjustable mounting brackets accommodate 1 1/2" or 3/4" lathing channel or 1/2" EMT (by others), or Prescolite 24" bar hangers (B24 or B6).

LABELS:

UL listed or UL/CSA listed with CDN option listed for damp locations. Approved for through wiring. Non-type I.C.

LAMP INCLUDED OPTION:

Specify lamp type T (Triple 4-pin) and temperature as shown below.

DATE: _____ TYPE: _____

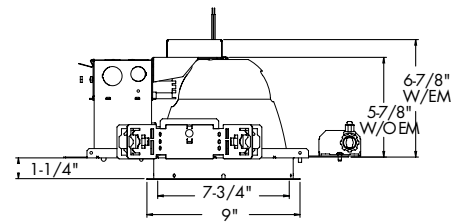
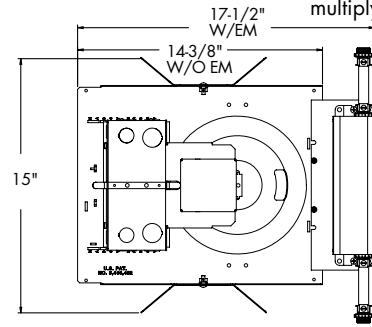
FIRM NAME: _____

PROJECT: _____

Architektür

Ceiling Cutout: 8 1/4"
Maximum Ceiling Thickness: 1 1/4"

For conversion to millimeters,
multiply inches by 25.4
Not to Scale



CATALOG NUMBER:

EXAMPLE: CFT832HEBDMEM STF802HSSPW LP32T30K B6

HOUSING	HOUSING OPTIONS	HOUSING OPTIONS	REFLECTORS	REFLECTOR COLOR	ACCESSORIES
<input type="checkbox"/> CFT832HEB ³ 8", (1) 26W/32W/42W Triple tube, multi-volt electronic ballast	<input type="checkbox"/> CDN Canadian electrical code compliant ballast disconnect <input type="checkbox"/> CDN 347V ¹ Canadian electrical code compliant ballast disconnect <input type="checkbox"/> CP ⁴ Chicago Plenum. Fixture construction and/or specifications may vary. Refer to Chicago Plenum specification sheets on www.prescolite.com for details. <input type="checkbox"/> DM Electronic Analog Dimming Ballast to 5%, 4-wire, 0-10V, analog (120V-277V) <input type="checkbox"/> ECDM ⁸ Lutron EcoSystem or 3-wire line voltage dimming ballast (120-277V). Dims to 5%. <input type="checkbox"/> HDM ^{2,3} Lutron Hi-Lume Dimming Ballast to 1%, 3-wire, line voltage (specify supply voltage)	<input type="checkbox"/> 2DM ^{2,3} Lutron Tu-Wire Dimming Ballast to 5%, 2-wire line voltage (120 volt only) <input type="checkbox"/> 7DM ³ Advance Mark 7 Dimming Ballast to 5%, 4-wire, 0-10V, analog (120V-277V) (Specify wattage) <input type="checkbox"/> XDM ³ Advance Mark 10 Dimming Ballast to 5%, 2-wire, line voltage (specify supply voltage/wattage) <input type="checkbox"/> EM ^{5,10,11} Emergency battery pack with integral test switch and indicator light <input type="checkbox"/> FSDFA Fuse kit installed at factory <input type="checkbox"/> RIF1 ^{10,11} Radio interference filter (single circuit) <input type="checkbox"/> MW26 Max Wattage label, 26W <input type="checkbox"/> MW32 Max Wattage label, 32W <input type="checkbox"/> SYL ⁶ Osram Sylvania Ballast (available only for standard EB option) <input type="checkbox"/> SMT ¹⁰ Philips Advance SmartMate® ballast	<input type="checkbox"/> STF802H VS 8" Alzak reflector <hr/> REFLECTOR FINISH <input type="checkbox"/> Blank Specular <input type="checkbox"/> SS Semi-Specular <input type="checkbox"/> MFC American Matte™	<input type="checkbox"/> Blank Clear Alzak <input type="checkbox"/> CG Champagne Gold Alzak <input type="checkbox"/> BL Black Alzak <input type="checkbox"/> WE Wheat Alzak <input type="checkbox"/> LW Light Wheat Alzak <input type="checkbox"/> PW Pewter Alzak <input type="checkbox"/> BC ^{7,9} Painted black cone <input type="checkbox"/> WC ^{7,9} Painted white cone <hr/> REFLECTOR OPTIONS <input type="checkbox"/> WT Painted white self-flange <input type="checkbox"/> BB ^{7,9} Painted black baffle <input type="checkbox"/> WB ^{7,9} Painted white baffle <input type="checkbox"/> WW Wall wash reflector <input type="checkbox"/> TRG Trim Ring Gasket (factory installed)	<input type="checkbox"/> B24 Set of two (2) 24" bar hangers for T-bar ceilings <input type="checkbox"/> B6 Set of two (2) bar hangers for ceiling joists up to 24" centers <input type="checkbox"/> FSDFI Fuse kit for field installation <input type="checkbox"/> SCA8D Sloped ceiling adapter (see note on back page) <input type="checkbox"/> Signos8 ^{5,7} Architectural glass elements Refer to specification sheets ARCH-SIG-005 through -008 <hr/> LAMP ACCESSORIES <input type="checkbox"/> LP -wattage= 26, 32, or 42 -type= T (Triple 4-pin) -temp= 27K, 30K, 35K, 41K (Kelvin) *Example: LP32T41K

¹Dimming options not available in 347V.

²Not available with 42W lamps.

³For 26W, 32W, or 42W CFL lamps specify CFT826HEB, CFT832HEB, or CFT842HEB housing and add desired dimming option suffix.

⁴Top access required to service ballast for Chicago Plenum.

⁵Not valid with lensed trim.

⁶Available for Osram Sylvania Quick 60+™ Limited Warranty when used with Osram lamp(s). See www.prescolite.com for details.

⁷Not available for wall wash

⁸For 42W specify CFT842HEB ECDM

⁹All painted options come standard with an upper specular clear Alzak reflector

¹⁰Not available for 347V

¹¹Not available with CP option

PHOTOMETRIC DATA

Architektür - 8" Horizontal Open & Wall Wash Downlights - CFT832HEB

BALLAST DATA	26W Triple			32W Triple			42W Triple		
	120V	277V	347V	120V	277V	347V	120V	277V	347V
Total System Watts	28W	28W	38W	35W	35W	42W	44W	47W	48W
Input Current (Amps)	0.23	0.1	0.11	0.29	0.13	0.12	0.36	0.17	0.14
Input Frequency in Hz	50/60	50/60	50/60	50/60	50/60	50/60	50/60	50/60	50/60
Power Factor	>97%	>97%	>97%	>97%	>97%	>97%	>97%	>97%	>97%
Ballast Factor	>98%	>98%	>98%	>98%	>98%	>98%	>98%	>98%	>98%
Total Harmonic Distortion	<10%	<10%	<10%	<10%	<10%	<10%	<10%	<10%	<10%
Total Harmonic Distortion	-18°C (0°F)	-18°C (0°F)	-18°C (0°F)	-18°C (0°F)	-18°C (0°F)	-18°C (0°F)	-18°C (0°F)	-18°C (0°F)	-18°C (0°F)

LAMP DATA

	26W Triple	32W Triple	42W Triple
Rated Watts	26W Triple	32W Triple	42W Triple
Rated Lumens	1800	2400	3200
Efficacy (LPW)	69	75	76
Rated Life	10,000 hours	10,000 hours	10,000 hours
CRI	82	82	82
Minimum Starting Temp.	0° F	0° F	0° F

AVERAGE INITIAL FOOTCANDLES

- Assumptions:
- Multiple units (square array)
 - Ceiling 80%; Wall 50%; Floor 20%
 - Four fixtures evenly spaced in the center of the room
 - The room is square and has a width and length equal to twice the lamp spacing
 - The lumen depreciation factor is 0.8
 - The dirt depreciation factor is 0.98
 - The light depreciation factor is 0.78

LUMINANCE DATA IN CANDELA/SQ. METER

Angle in Vertical	Average 0°	Average 90°
45°	23525	25369
55°	610	887
65°	151	75
75°	0	0
85°	0	0

32W Triple

SPACING	RCR1	RCR3	RCR7
7.0	3171	2636	1834
8.0	2428	2018	1404
9.0	1918	1595	1109
10.0	1554	1292	899
11.0	1284	1068	743
12.0	1079	897	624
13.0	919	764	532
14.0	793	659	458
15.0	691	574	399

CFT832HEB-STF802H Clear Alzak Reflector

Lamp: One 32W Triple

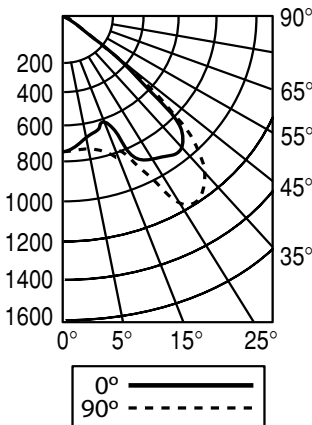
Spacing Criteria:

0° = 1.6

90° = 1.7

Efficiency: 75.8%

CANDLEPOWER DISTRIBUTION



Test No. ITL46581

CANDLEPOWER SUMMARY

Angle	0°	90°
0	733	733
5	702	750
10	676	787
15	626	780
20	767	949
25	882	1169
30	904	1172
35	917	1080
40	723	868
45	523	564
50	133	138
55	11	16
60	4	3
65	2	1
70	0	0
75	0	0
80	0	0
85	0	0
90	0	0

COEFFICIENTS OF UTILIZATION Zonal Cavity Method

Room Cavity Ratio	% Effective Floor Cavity Reflectance																	
	20% Effective Floor Cavity Reflectance																	
	% Wall Reflectance																	
	80%	70%	50%	30%	10%	0%	70	50	30	10	50	30	10	50	30	10	0	
0	.90	.90	.90	.90	.88	.88	.88	.88	.84	.84	.84	.81	.81	.81	.77	.77	.77	.76
1	.85	.83	.81	.79	.83	.81	.79	.77	.78	.76	.75	.75	.74	.73	.73	.72	.71	.69
2	.80	.76	.72	.69	.78	.74	.71	.68	.72	.69	.67	.69	.67	.65	.67	.66	.64	.63
3	.75	.69	.65	.61	.73	.68	.64	.60	.66	.62	.59	.64	.61	.58	.62	.60	.58	.56
4	.70	.63	.58	.54	.68	.62	.57	.54	.60	.56	.53	.59	.55	.52	.57	.54	.52	.51
5	.65	.58	.52	.48	.64	.57	.52	.48	.55	.51	.48	.54	.50	.47	.53	.49	.47	.45
6	.61	.53	.47	.43	.60	.52	.47	.43	.51	.46	.43	.50	.46	.43	.49	.45	.42	.41
7	.57	.48	.43	.39	.56	.48	.43	.39	.47	.42	.39	.46	.42	.38	.45	.41	.38	.37
8	.53	.44	.39	.35	.52	.44	.39	.35	.43	.38	.35	.42	.38	.35	.41	.38	.35	.33
9	.50	.41	.36	.32	.49	.41	.35	.32	.40	.35	.32	.39	.35	.32	.38	.34	.32	.30
10	.47	.38	.33	.29	.46	.38	.32	.29	.37	.32	.29	.36	.32	.29	.36	.32	.29	.28

CFT832HEB-STF802H

Test No. ITL46581

NOTES

Ⓞ vs Denotes a Virtual Source reflector.

Refer to www.prescolite.com for additional photometric tests (IES Files).

When ordering a sloped ceiling adapter, specify the degree of slope in 5° increments, max. of 35°. For a more precise degree or wet ceiling applications, please contact factory. Sloped ceiling adapter and housing must be installed at the same time.

Note: Use of horizontally-lamped open downlights with amalgam-based CFL lamps in air-handling plenums is not recommended because cool air flow over the lamps will result in reduced light output. Prescolite recommends vertical lamp downlights or use of the regressed lensed trim option for horizontal downlights in these applications to reduce this effect. Refer to Prescolite White Paper WP0003 at www.prescolite.com for more information.



Web: www.prescolite.com • Tech Support: (888) 777-4832

701 Millennium Blvd. • Greenville, SC 29607 U.S.A. • Phone (864) 678-1000

Copyright ©2015 Prescolite, Inc., a division of Hubbell Lighting, Inc. All Rights Reserved

Specifications subject to change without notice. • Printed in U.S.A. • ARCH-CFL-015 • 4/16/15



HUBBELL
Lighting, Inc.