

8" Horizontal Open & Wall Wash Downlights **CFR826UEB**

Two 26W Quad Tube
4-Pin Lamps
Non-IC Rated
120V, 208V, 240V, 277V, or 347V

Featuring VirtualSource⁵⁵ VSS5 Reflectors

Featuring VirtualSource VS Reflectors

APPLICATIONS:

The CFR8U series offers horizontally lamped compact fluorescent downlight and wall wash fixtures that provide superior brightness and glare control. This series is ideal for a wide variety of medium to high ceiling applications including commercial, retail, and hospitality. The CFR8U series is compatible with the Signos8 family of architectural elements.

HOUSING:

One-piece 18-gauge galvaneal steel platform. Prewired J-box with snap-on cover for easy access. Vented at lamp tip and socket for maximum light output.

REFLECTOR:

High purity aluminum Alzak Virtual Source[®] iridescence suppressed reflector. Self-trim standard. Painted white self-trim available.

BALLAST:

One (1) compact fluorescent class 'P' electronic multi-volt (120V through 277V) ballast suitable for 26W operation. EOL protection standard. Accessible from below ceiling. 347V available.

LAMP:

Two (2) 26W (G24q-3 base) quad tube compact fluorescent lamps. Lamps furnished by others or as option below.

SOCKET:

Two (2) injection molded sockets (vented).

INSTALLATION:

Universal adjustable mounting brackets accommodate 1 1/2" or 3/4" lathing channel or 1/2" EMT (by others), or Prescolite 24" bar hangers (B24 or B6).

LABELS:

UL listed or UL/CSA listed with CDN option for damp locations. Approved for through wiring. Non-type I.C. and NYC approved

LAMP INCLUDED OPTION:

Specify lamp type Q4 (Quad 4-pin) and temperature as shown below.

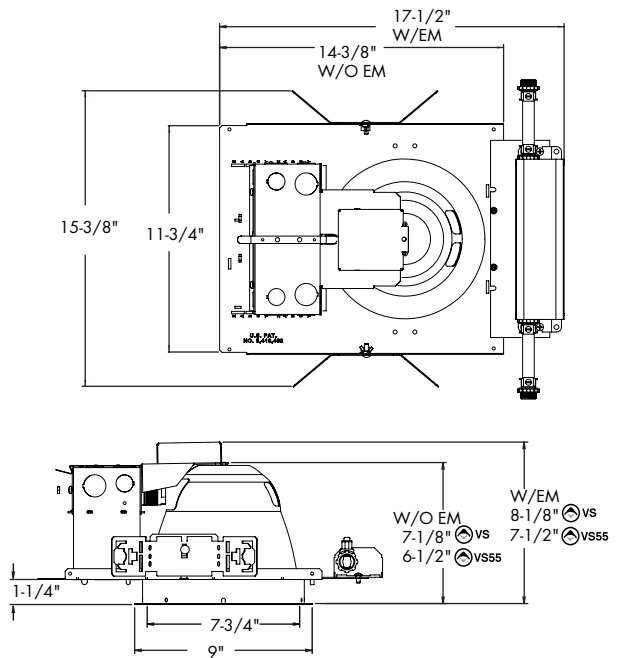
DATE: _____ TYPE: _____

FIRM NAME: _____

PROJECT: _____



Ceiling Cutout: 8 1/4"
Maximum Ceiling Thickness: 1 1/4"
For conversion to millimeters,
multiply inches by 25.4
Not to Scale



CATALOG NUMBER:

EXAMPLE: CFR826UEBDM ST492AWT LP26Q430K B24

Order housing, reflector, and accessories separately

| HOUSING | HOUSING OPTIONS | REFLECTORS | REFLECTOR COLOR | ACCESSORIES | |
|---|---|---|--|---|---|
| <ul style="list-style-type: none"> <input type="checkbox"/> CFR826UEB 8", (2) 26W Quad tube, multi-volt electronic ballast <input type="checkbox"/> CFR826UEB55 8", (2) 26W Quad tube, multi-volt electronic ballast, 55 Degree Cut-off | <ul style="list-style-type: none"> <input type="checkbox"/> CDN Canadian electrical code compliant ballast disconnect <input type="checkbox"/> CDN 347V¹ Canadian electrical code compliant ballast disconnect <input type="checkbox"/> CP 2.5 Chicago Plenum. Fixture construction and/or specifications may vary. Refer to Chicago Plenum specification sheets on www.prescolite.com for details. <input type="checkbox"/> DM Electronic Analog Dimming Ballast to 3%, 4-wire, 0-10V, analog (120V-277V) <input type="checkbox"/> ECDM Lutron EcoSystem or 3-wire line voltage dimming ballast (120-277V). Dims to 5%. <input type="checkbox"/> 7DM Advance Mark 7 Dimming Ballast to 5%, 4-wire, 0-10V, analog (120V-277V) <input type="checkbox"/> XDM Advance Mark 10 Dimming Ballast to 5%, 2-wire line voltage (specify supply voltage) | <ul style="list-style-type: none"> <input type="checkbox"/> EM Emergency battery pack with integral test switch and indicator light <input type="checkbox"/> FSDFA Fuse kit installed at factory <input type="checkbox"/> RIF1 Radio interference filter (single circuit) <input type="checkbox"/> SYL³ Osram Sylvania Ballast (available only for standard EB option) <input type="checkbox"/> SMT Philips Advance SmartiMate[®] ballast | <ul style="list-style-type: none"> <input type="checkbox"/> ST492A VS 8" Alzak reflector <input type="checkbox"/> ST492A55 VSS5 8" Alzak reflector, 55 Degree Cut-off <div style="border: 1px solid black; padding: 5px; margin: 5px 0;">REFLECTOR FINISH</div> <ul style="list-style-type: none"> <input type="checkbox"/> Blank Specular <input type="checkbox"/> SS Semi-Specular <input type="checkbox"/> MFC⁴ American Matte[™] | <ul style="list-style-type: none"> <input type="checkbox"/> Blank Clear Alzak <input type="checkbox"/> CG Champagne Gold Alzak <input type="checkbox"/> BL Black Alzak <input type="checkbox"/> WE Wheat Alzak <input type="checkbox"/> LW Light Wheat Alzak <input type="checkbox"/> PW Pewter Alzak <div style="border: 1px solid black; padding: 5px; margin: 5px 0;">REFLECTOR OPTIONS</div> <ul style="list-style-type: none"> <input type="checkbox"/> WT Painted white self-flange <input type="checkbox"/> BB^{4,6} Painted black baffle <input type="checkbox"/> WB^{4,6} Painted white baffle <input type="checkbox"/> WW⁴ Wall wash reflector <input type="checkbox"/> TRG Trim Ring Gasket (factory installed) | <ul style="list-style-type: none"> <input type="checkbox"/> B24 Set of two (2) 24" bar hangers for T-bar ceilings <input type="checkbox"/> B6 Set of two (2) bar hangers for ceiling joists up to 24" centers <input type="checkbox"/> FSDFI Fuse kit for field installation <input type="checkbox"/> SCA8D Sloped ceiling adapter (see note on back page) <input type="checkbox"/> Signos8⁶ Architectural glass elements Refer to specification sheets ARCH-SIG-005 through -008 <div style="border: 1px solid black; padding: 5px; margin: 5px 0; background-color: #e91e63; color: white; text-align: center;">LAMP ACCESSORIES</div> <ul style="list-style-type: none"> <input type="checkbox"/> LP -wattage= 26 -type= Q4 (Quad 4-pin) -temp= 27K, 30K, 35K, 41K (Kelvin) *Example: LP26Q430K Requires two lamps. |

¹Dimming options not available in 347V.
²Top access required to service ballast for Chicago Plenum.
³Available for Osram Sylvania Quick 60+[®] Limited Warranty when used with Osram lamp(s). See www.prescolite.com for details.
⁴Not available with ST492A55 reflector.
⁵Contact Technical Support for availability with 55 degree cut-off housings.
⁶Not available for wall wash

In a continuing effort to offer the best product possible we reserve the right to change, without notice, specifications or materials that in our opinion will not alter the function of the product.
Web: www.prescolite.com • Tech Support: (888) 777-4832

PHOTOMETRIC DATA

Architektūr - 8" Horizontal Open & Wall Wash Downlights - CFR8U Series

| BALLAST DATA | 26W Quad | | |
|---------------------------|-------------|-------------|-------------|
| | 120V | 277V | 347V |
| Total System Watts | 57W | 57W | 58W |
| Input Current (Amps) | 0.48 | 0.21 | 0.17 |
| Input Frequency in Hz | 50/60 | 50/60 | 50/60 |
| Power Factor | >97% | >97% | >97% |
| Ballast Factor | >98% | >98% | 1 |
| Total Harmonic Distortion | <10% | <10% | <10% |
| Min. Starting Temp. | -18°C (0°F) | -18°C (0°F) | -18°C (0°F) |

LAMP DATA

| | |
|------------------------|--------------|
| Rated Watts | 26W Quad |
| Rated Lumens | 1800 |
| Efficacy (LPW) | 69 |
| Rated Life | 10,000 hours |
| CRI | 82 |
| Minimum Starting Temp. | 0° F |

CFR826UEB-ST492A ^{⊗vs} with Clear Alzak Reflector

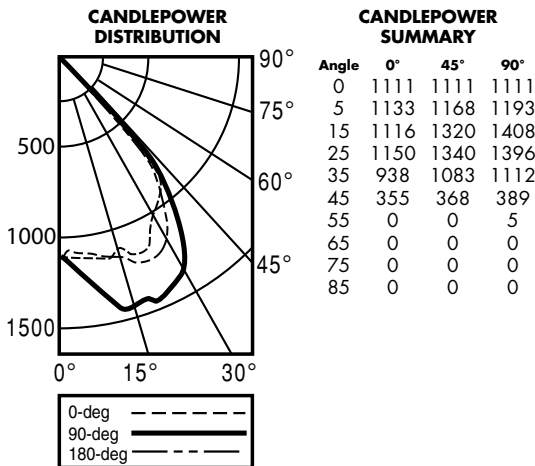
Lamp: Two 26W Quad

Spacing Criteria:

0° = 1.3

90° = 1.5

Efficiency: 57.9%



Test No. PL5101

LUMINANCE DATA IN CANDELA/SQ. METER

| Angle in Vertical | Average 0° | Average 45° | Average 90° |
|-------------------|------------|-------------|-------------|
| 45° | 16551 | 17155 | 18075 |
| 55° | 0 | 0 | 286 |
| 65° | 0 | 0 | 0 |
| 75° | 0 | 0 | 0 |
| 85° | 0 | 0 | 0 |

Test No. PL5101

COEFFICIENTS OF UTILIZATION

Zonal Cavity Method

| Room Cavity Ratio | % Effective Ceiling Cavity Reflectance | | | | | | | | | | | | | | | | | | | | | |
|-------------------|--|-----|-----|-----|-----|-----|-----|-----|-----|-----|--|--|--------------------|----|----|----|----|----|----|----|----|----|
| | 80% | | | 70% | | | 50% | | | 30% | | | | | | | | | | | | |
| | 20% Effective Floor Cavity Reflectance | | | | | | | | | | | | | | | | | | | | | |
| | | | | | | | | | | | | | % Wall Reflectance | | | | | | | | | |
| | | | | | | | | | | | | | 70 | 50 | 30 | 10 | 70 | 50 | 30 | 10 | 50 | 10 |
| 1 | .35 | .34 | .33 | .31 | .35 | .31 | .32 | .30 | .31 | .30 | | | | | | | | | | | | |
| 3 | .32 | .30 | .28 | .26 | .31 | .26 | .28 | .26 | .28 | .26 | | | | | | | | | | | | |
| 5 | .29 | .26 | .24 | .22 | .28 | .22 | .25 | .22 | .25 | .22 | | | | | | | | | | | | |
| 7 | .25 | .22 | .20 | .19 | .25 | .19 | .22 | .19 | .21 | .19 | | | | | | | | | | | | |
| 9 | .22 | .19 | .17 | .16 | .22 | .16 | .19 | .16 | .18 | .16 | | | | | | | | | | | | |

CFR826UEB-ST492A

Test No. PL5101

^{⊗vs}

NOTES

^{⊗vs} Denotes a Virtual Source reflector.

Refer to www.prescolite.com for additional photometric tests (IES Files).

When ordering a sloped ceiling adapter, specify the degree of slope in 5° increments, max. of 35°. For a more precise degree or wet ceiling applications, please contact factory. Sloped ceiling adapter and housing must be installed at the same time.

Note: Use of horizontally-lamped open downlights with amalgam-based CFL lamps in air-handling plenums is not recommended because cool air flow over the lamps will result in reduced light output. Prescolite recommends vertical lamp downlights or use of the regressed lensed trim option for horizontal downlights in these applications to reduce this effect. Refer to Prescolite White Paper WP0003 at www.prescolite.com for more information.



Web: www.prescolite.com • Tech Support: (888) 777-4832

701 Millennium Blvd. • Greenville, SC 29607 U.S.A. • Phone (864) 678-1000

Copyright ©2018 Prescolite, Inc., a division of Hubbell Lighting, Inc. All Rights Reserved

Specifications subject to change without notice. • Printed in U.S.A. • ARCH-CFL-020 • 8/8/18



HUBBELL
Lighting, Inc.

PHOTOMETRIC DATA

Architektūr - 8" Horizontal Open & Wall Wash Downlights - CFR8U Series

CFR826UEB55-ST492A55 ^{⊙vs55} with Clear Alzak Reflector

Lamp: Two 26W Quad

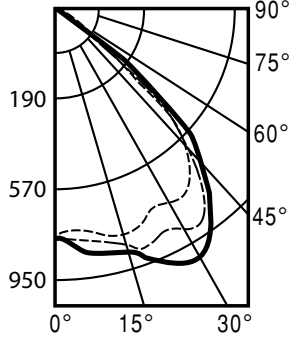
Spacing Criteria:

0° = 1.4

90° = 1.6

Efficiency: 61.3 %

CANDLEPOWER DISTRIBUTION



0-deg ---
90-deg —
180-deg -.-

Test No. ITL16651

CANDLEPOWER SUMMARY

| Angle | 0° | 45° | 90° |
|-------|-----|-----|------|
| 0 | 827 | 827 | 827 |
| 5 | 815 | 834 | 853 |
| 15 | 868 | 926 | 922 |
| 25 | 827 | 957 | 1002 |
| 35 | 760 | 881 | 916 |
| 45 | 547 | 650 | 667 |
| 55 | 214 | 314 | 286 |
| 65 | 5 | 6 | 5 |
| 75 | 1 | 1 | 1 |
| 85 | 0 | 0 | 0 |

LUMINANCE DATA IN CANDELA/SQ. METER

^{⊙vs55}

| Angle in Vertical | Average 0° | Average 45° | Average 90° |
|-------------------|------------|-------------|-------------|
| 45° | 25424 | 30190 | 31002 |
| 55° | 12256 | 18001 | 16364 |
| 65° | 406 | 432 | 406 |
| 75° | 166 | 187 | 187 |
| 85° | 0 | 0 | 0 |

Test No. ITL16651

COEFFICIENTS OF UTILIZATION

Zonal Cavity Method

| Room Cavity Ratio | % Effective Ceiling Cavity Reflectance | | | | | | | | |
|--------------------|--|-----|-----|-----|-----|-----|-----|-----|-----|
| | 80% | 70% | 50% | 30% | | | | | |
| | 20% Effective Floor Cavity Reflectance | | | | | | | | |
| % Wall Reflectance | | | | | | | | | |
| | 70 | 50 | 30 | 10 | 70 | 50 | 10 | 50 | 10 |
| 1 | .69 | .67 | .65 | .63 | .67 | .62 | .63 | .60 | .58 |
| 3 | .60 | .54 | .51 | .47 | .58 | .47 | .52 | .46 | .45 |
| 5 | .51 | .45 | .40 | .37 | .50 | .37 | .43 | .36 | .36 |
| 7 | .44 | .37 | .32 | .29 | .43 | .29 | .36 | .29 | .29 |
| 9 | .39 | .31 | .27 | .24 | .38 | .24 | .30 | .24 | .23 |

CFR826UEB55-ST492A55 Test No. ITL16651

^{⊙vs55}

AVERAGE INITIAL FOOTCANDLES ON WORKPLANE

Assumptions:

1. Ceiling 80% Wall 50% Floor 20%
2. 4 Luminaires evenly spaced in the center of the room.
3. The room is square and has a width and length equal to twice the luminaire spacing (LS).
4. RCR is Room Cavity Ratio
5. Dirt and Lumen Depreciation Factors are 1.0
6. Ballast Factor is 1.0 for ballasted fixtures.
7. h_{rc} is height between fixtures and workplane

| LS (Feet) | h_{rc} (Feet) | Standard Reflector | 55 Degree Option |
|-----------|-----------------|--|--|
| | | Average Initial ^{⊙vs} Footcandles | Average Initial ^{⊙vs55} Footcandles |
| 7.0 | 10 | 15 | 26 |
| 8.0 | 11 | 12 | 20 |
| 9.0 | 13 | 9 | 16 |
| 10.0 | 14 | 8 | 13 |

Test No. PL5101/ITL16651

NOTES

^{⊙vs} Denotes a Virtual Source reflector.

Refer to www.prescolite.com for additional photometric tests (IES Files).

When ordering a sloped ceiling adapter, specify the degree of slope in 5° increments, max. of 35°. For a more precise degree or wet ceiling applications, please contact factory. Sloped ceiling adapter and housing must be installed at the same time.

Note: Use of horizontally-lamped open downlights with amalgam-based CFL lamps in air-handling plenums is not recommended because cool air flow over the lamps will result in reduced light output. Prescolite recommends vertical lamp downlights or use of the regressed lensed trim option for horizontal downlights in these applications to reduce this effect. Refer to Prescolite White Paper WP0003 at www.prescolite.com for more information.



Web: www.prescolite.com • Tech Support: (888) 777-4832

701 Millennium Blvd. • Greenville, SC 29607 U.S.A. • Phone (864) 678-1000

Copyright ©2018 Prescolite, Inc., a division of Hubbell Lighting, Inc. All Rights Reserved

Specifications subject to change without notice. • Printed in U.S.A. • ARCH-CFL-020 • 8/8/18



HUBBELL
Lighting, Inc.