

8" Horizontal Open, or Wall Wash Downlight **CFR8126UEB**

One 26W Quad Tube 4-Pin Lamp
Non-IC Rated
120V, 208V, 240V, 277V, or 347V

Featuring VirtualSource vs Reflectors

APPLICATIONS:

The CFR8126UEB offers a horizontally lamped compact fluorescent downlight and wall wash fixture that provides superior brightness and glare control. This luminaire is ideal for a wide variety of medium to high ceiling applications including commercial, retail, and hospitality. The CFR8126UEB is compatible with the Signos8 family of architectural elements.

HOUSING:

One-piece galvanized 18-gauge cold rolled steel platform. Prewired J-box with snap-on cover for easy access. Vented at lamp tip and socket for maximum light output. Same housing accommodates downlight and wall wash downlight reflectors.

REFLECTOR:

High purity aluminum Alzak Virtual Source® iridescence suppressed reflector. Self-trim standard. Painted white self-trim available. Baffled units standard with painted white self trim.

BALLAST:

One (1) 26W compact fluorescent Class 'P' electronic multi-volt (120V through 277V) ballast. HPF and EOL protection standard. Accessible from below ceiling. 347V available.

LAMP:

One (1) 26W quad tube with G24q-3 base. Lamp furnished by others or as option below.

SOCKET:

One (1) injection molded socket (vented).

INSTALLATION:

Universal adjustable mounting brackets accommodate 1 1/2" or 3/4" lathing channel or 1/2" EMT (by others), or Prescolite 24" bar hangers (B24 or B6).

LABELS:

UL listed or UL/CSA listed with CDN option for damp locations
Approved for through wiring
Non-type I.C. and NYC approved

LAMP INCLUDED OPTION:

Specify lamp type Q4 (Quad 4-pin) and temperature as shown below.

DATE: _____ TYPE: _____

FIRM NAME: _____

PROJECT: _____

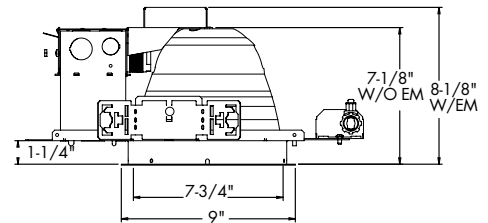
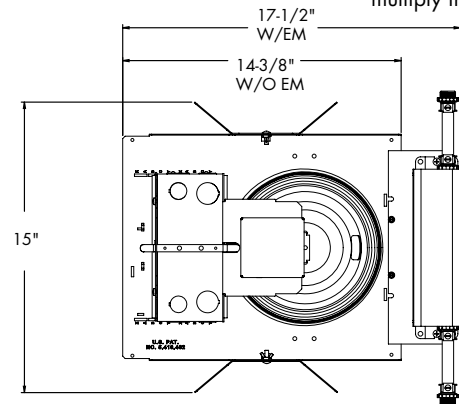
Architektür

Ceiling Cutout: 8 1/4"

Maximum Ceiling Thickness: 1 1/4"

For conversion to millimeters,
multiply inches by 25.4

Not to Scale



CATALOG NUMBER:

EXAMPLE: CFR8126UEBDMEB ST492A1 LP26Q430K B6

HOUSING	HOUSING OPTIONS	HOUSING OPTIONS	REFLECTORS	REFLECTOR OPTIONS	ACCESSORIES
<input type="checkbox"/> CFR8126UEB 8", (1) 26W Quad tube, multi-volt electronic ballast	<input type="checkbox"/> CDN Canadian electrical code compliant ballast disconnect <input type="checkbox"/> CDN 347V¹ Canadian electrical code compliant ballast disconnect <input type="checkbox"/> CP² Chicago Plenum. Fixture construction and/or specifications may vary. <input type="checkbox"/> DM Electronic Analog Dimming Ballast to 3%, 4-wire, 0-10V, analog (120V-277V) <input type="checkbox"/> ECDM Lutron EcoSystem or 3-wire line voltage dimming ballast (120-277V). Dims to 5%.	<input type="checkbox"/> 7DM Advance Mark 7 Dimming Ballast to 5%, 4-wire, 0-10V, analog (120V-277V) <input type="checkbox"/> XDM Advance Mark 10 Dimming Ballast to 5%, 2-wire line voltage (specify supply voltage) <input type="checkbox"/> EM³ Emergency battery pack with integral test switch and indicator light <input type="checkbox"/> FSDFA Fuse kit installed at factory <input type="checkbox"/> RIF1 Radio interference filter (single circuit) <input type="checkbox"/> SYL⁴ Osram Sylvania Ballast (available only for standard EB SmartMate® ballast option) <input type="checkbox"/> SMT Philips Advance SmartMate® ballast	<input type="checkbox"/> ST492A1 vs 8" Alzak reflector <hr/> REFLECTOR FINISH <input type="checkbox"/> Blank Specular <input type="checkbox"/> SS Semi-Specular <input type="checkbox"/> MFC American Matte™ <hr/> REFLECTOR COLOR <input type="checkbox"/> Blank Clear Alzak <input type="checkbox"/> CG Champagne Gold Alzak <input type="checkbox"/> BL Black Alzak <input type="checkbox"/> WE Wheat Alzak <input type="checkbox"/> LW Light Wheat Alzak <input type="checkbox"/> PW Pewter Alzak	<input type="checkbox"/> WT Painted white self-flange <input type="checkbox"/> BB⁵ Painted black baffle <input type="checkbox"/> WB⁵ Painted white baffle <input type="checkbox"/> WW Wall wash reflector <input type="checkbox"/> TRG Trim Ring Gasket (factory installed)	<input type="checkbox"/> B24 Set of two (2) 24" bar hangers for T-bar ceilings <input type="checkbox"/> B6 Set of two (2) bar hangers for ceiling joists up to 24" centers <input type="checkbox"/> FSDFI Fuse kit for field installation <input type="checkbox"/> SCA8D Sloped ceiling adapter (see note on back page) <input type="checkbox"/> Signos8^{3,5} Architectural glass elements Refer to specification sheets ARCH-SIG-005 through -008 <hr/> LAMP ACCESSORIES <input type="checkbox"/> LP -wattage= 26 -type= Q4 (Quad 4-pin) -temp= 27K, 30K, 35K, 41K (Kelvin) *Example: LP26Q430K

¹ Dimming options not available in 347V.
² Top access required to service ballast for Chicago Plenum.
³ Not valid with lensed trim.
⁴ Available for Osram Sylvania Quick 60+® Limited Warranty when used with Osram lamp(s). See www.prescolite.com for details.
⁵ Not available for wall wash

PHOTOMETRIC DATA

Architektūr - 8" Horizontal Single Lamp Quad Tube Downlights - CFR8126UEB

BALLAST DATA

26W Quad

	120V	277V	347V
Total System Watts	20W	29W	31W
Input Current (Amps)	0.17	0.11	0.09
Input Frequency	50Hz or 60Hz	50Hz or 60Hz	50Hz or 60Hz
Power Factor	>97%	>97%	>97%
Ballast Factor	>98%	>98%	1
Total Harmonic Distortion	<10%	<10%	<10%
Minimum Starting Temp.	-18° C (0° F)	-18° C (0° F)	-18° C (0° F)

LAMP DATA

Rated Watts	26W Quad
Rated Lumens	1800
Efficacy (LPW)	69
Rated Life	10,000 hours
CRI	82
Min. Starting Temp.	0° F

NOTES

⊙vs Denotes a Virtual Source reflector.

Refer to www.prescolite.com for additional photometric tests (IES Files).

When ordering a sloped ceiling adapter, specify the degree of slope in 5° increments, max. of 35°. For a more precise degree or wet ceiling applications, please contact factory. Sloped ceiling adapter and housing must be installed at the same time.

Note: Use of horizontally-lamped open downlights with amalgam-based CFL lamps in air-handling plenums is not recommended because cool air flow over the lamps will result in reduced light output. Prescolite recommends vertical lamp downlights or use of the regressed lensed trim option for horizontal downlights in these applications to reduce this effect. Refer to Prescolite White Paper WP0003 at www.prescolite.com for more information.



Web: www.prescolite.com • Tech Support: (888) 777-4832
701 Millennium Blvd. • Greenville, SC 29607 U.S.A. • Phone (864) 678-1000
Copyright ©2015 Prescolite, Inc., a division of Hubbell Lighting, Inc. All Rights Reserved
Specifications subject to change without notice. • Printed in U.S.A. • ARCH-CFL026 • 4/16/15

