

8" Vertical Open & Wall Wash Downlights

CFQ826EB

One 26W Quad Tube
4-Pin Lamp
Non-IC Rated
120V, 208V, 240V, 277V, or 347V

Featuring VirtualSource VS Reflectors

APPLICATIONS:

The CFQ8 series offers vertical lamped compact fluorescent downlight and wall wash fixtures that provide superior brightness and glare control. This series is ideal for a wide variety medium to high ceiling applications including commercial, retail, and hospitality. The CFQ8 series is compatible with the Signos8 family of architectural elements.

HOUSING:

One-piece painted 18-gauge cold rolled steel platform. Prewired J-box with snap-on cover for easy access. Same housing accommodates downlight and wall wash downlight reflectors. Diecast aluminum heat sink with patented (U.S. Patent No. 7,740,384) twist and lock mechanism that ensures accurate and stable lamp location.

REFLECTOR:

High purity aluminum Alzak Virtual Source® iridescence suppressed reflector. Self-trim standard. Painted white self-trim available. Baffled units standard with painted white self trim.

BALLAST:

One (1) 26W compact fluorescent Class 'P' electronic multi-volt (120V through 277V) ballast. HPF and EOL protection standard. Accessible from below ceiling. 347V available.

LAMP:

One (1) 26W (G24q-3 base) 4-pin quad tube compact fluorescent lamp. Lamp furnished by others or as option below.

SOCKET:

One (1) injection molded socket. Adjusts to three positions, accommodating various lamp sizes and ensuring proper lamp position.

INSTALLATION:

Universal adjustable mounting brackets accommodate 1 1/2" or 3/4" lathing channel or 1/2" EMT (by others), or Prescolite 24" bar hangers (B24 or B6).

LABELS:

UL Listed or UL/CSA listed with CDN option for damp locations
Approved for through wiring
Non-type I.C.

LAMP INCLUDED OPTION:

Specify lamp type Q4 (Quad 4-pin) and temperature as shown below.

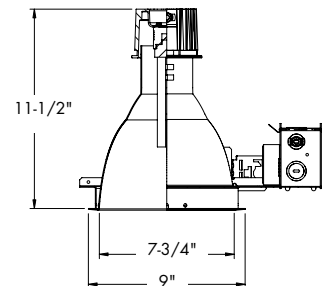
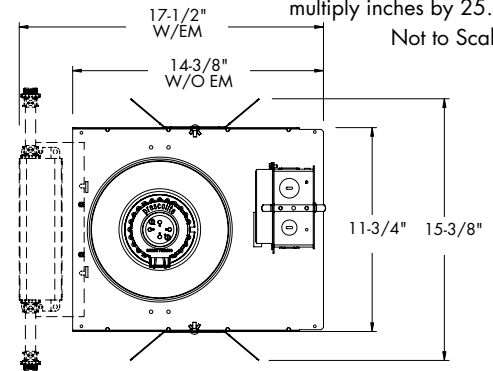
DATE: _____ TYPE: _____

FIRM NAME: _____

PROJECT: _____

Architektür

Ceiling Cutout: 8 1/4"
Maximum Ceiling Thickness: 1 1/4"
For conversion to millimeters,
multiply inches by 25.4
Not to Scale



CATALOG NUMBER:

EXAMPLE: CFQ826EB STF802PW LP26Q430K B24

HOUSINGS	HOUSING OPTIONS	HOUSING OPTIONS	REFLECTORS	REFLECTOR COLOR	ACCESSORIES
<input type="checkbox"/> CFQ826EB 8", (1) 26W Quad tube, multi-volt electronic ballast	<input type="checkbox"/> CDN Canadian electrical code compliant ballast disconnect <input type="checkbox"/> CDN 347V¹ Canadian electrical code compliant ballast disconnect <input type="checkbox"/> CP Chicago Plenum. Fixture construction and/or specifications may vary. CP fixture height is 12 15/16" <input type="checkbox"/> DM Electronic Analog Dimming Ballast to 5%, 4-wire, 0-10V, analog (120V-277V)	<input type="checkbox"/> ECDM Lutron EcoSystem or 3-wire line voltage dimming ballast (120-277V). Dims to 5%. <input type="checkbox"/> 2DM Lutron Tu-Wire Dimming Ballast to 5%, 2-wire line voltage (120 volt only) <input type="checkbox"/> 7DM Advance Mark 7 Dimming Ballast to 3%, 4-wire, 0-10V, analog (120V-277V) <input type="checkbox"/> XDM Advance Mark 10 Dimming Ballast to 5%, 2-wire line voltage (specify supply voltage/wattage) <input type="checkbox"/> EM^{5,6} Emergency battery pack with integral test switch and indicator light <input type="checkbox"/> FSDFA Fuse kit installed at factory <input type="checkbox"/> RIF1^{5,6} Radio interference filter (single circuit) <input type="checkbox"/> SYL³ Osram Sylvania Ballast (available only for standard EB option) <input type="checkbox"/> SMT⁵ Philips Advance SmartMate® ballast	<input type="checkbox"/> STF802 VS 8" Alzak reflector REFLECTOR FINISH <input type="checkbox"/> Blank Specular <input type="checkbox"/> SS Semi-Specular <input type="checkbox"/> MFC American Matte™	<input type="checkbox"/> Blank Clear Alzak <input type="checkbox"/> CG Champagne Gold Alzak <input type="checkbox"/> BL Black Alzak <input type="checkbox"/> WE Wheat Alzak <input type="checkbox"/> LW Light Wheat Alzak <input type="checkbox"/> PW Pewter Alzak REFLECTOR OPTIONS <input type="checkbox"/> WT Painted white self-flange <input type="checkbox"/> BC^{2,4} Painted black cone <input type="checkbox"/> WC^{2,4} Painted white cone <input type="checkbox"/> BB^{2,4} Painted black baffle <input type="checkbox"/> WB^{2,4} Painted white baffle <input type="checkbox"/> WW Wall wash reflector <input type="checkbox"/> TRG Trim Ring Gasket (factory installed)	<input type="checkbox"/> B24 Set of two (2) 24" bar hangers for T-bar ceilings <input type="checkbox"/> B6 Set of two (2) bar hangers for ceiling joists up to 24" centers <input type="checkbox"/> FSDFI Fuse kit for field installation <input type="checkbox"/> SCA8D Sloped ceiling adapter (see note on back page) <input type="checkbox"/> Signos8² Architectural glass elements Refer to specification sheets ARCH-SIG-005 through -008 LAMP ACCESSORIES <input type="checkbox"/> LP -wattage= 26 -type= Q4 (Quad 4-pin) -temp= 27K, 30K, 35K, 41K (Kelvin) *Example: LP26Q430K

¹Dimming options not available in 347V.

²Not available for wall wash

³Available for Osram Sylvania Quick 60+® Limited Warranty when used with Osram lamp(s). See www.prescolite.com for details.

⁴All painted cones and baffles come standard with upper portion of reflector Clear Alzak

⁵Not available for 347V

⁶Not available with CP option



A Division of Hubbell Lighting, Inc.

In a continuing effort to offer the best product possible we reserve the right to change, without notice, specifications or materials that in our opinion will not alter the function of the product.
Web: www.prescolite.com • Tech Support: (888) 777-4832

ARCH-CFL-033

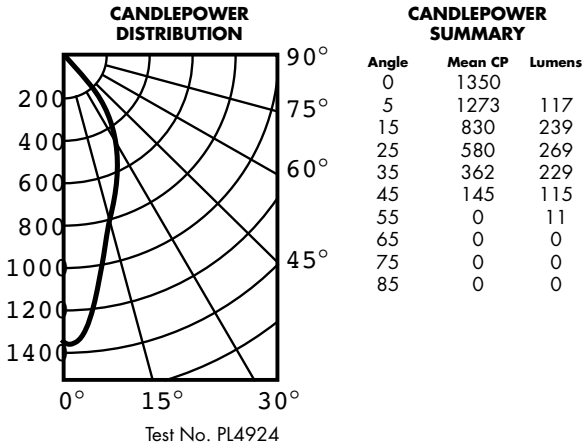
PHOTOMETRIC DATA

Architektür - 8" Vertical Open & Wall Wash Downlights - CFQ Series

BALLAST DATA	26W Quad		
	120V	277V	347V
Total System Watts	20W	29W	31W
Input Current (Amps)	0.17	0.11	0.09
Input Frequency in Hz	50/60	50/60	50/60
Power Factor	>97%	>97%	>97%
Ballast Factor	>98%	>98%	1
Total Harmonic Distortion	<10%	<10%	<10%
Min. Starting Temp.	-18°C (0°F)	-18°C (0°F)	-18°C (0°F)

LAMP DATA	
Rated Watts	26W Quad
Rated Lumens	1800
Efficacy (LPW)	69
Rated Life	10,000 hours
CRI	82
Min. Starting Temp.	0° F

CFQ826EB
Lamp: One 26W DTT SYL.
Efficiency = 54.5%



LUMINANCE DATA IN CANDELA/SQ. METER	
Angle in Vertical	Average
45°	6769
55°	0
65°	0
75°	0
85°	0

AVERAGE INITIAL FOOTCANDLES			
Multiple Units (Square Array)			
Ceiling 80% Wall 50% Floor 20%			
26W DTT SYL.			
SPACING	RCR1	RCR3	RCR7
7.0	22	18	14
8.0	16	14	10
9.0	13	11	8
10.0	10	9	7
11.0	8	7	6

COEFFICIENTS OF UTILIZATION																	
Zonal Cavity Method																	
Room Cavity Ratio	% Effective Floor Cavity Reflectance																
	80%			70%			50%			30%			10%				
	20% Effective Floor Cavity Reflectance																
	% Wall Reflectance																
	70	50	30	10	70	50	30	10	50	30	10	50	30	10			
1	.62	.61	.60	.58	.61	.60	.59	.57	.57	.57	.56	.55	.55	.54	.54	.53	.52
2	.60	.57	.55	.54	.58	.56	.54	.53	.54	.53	.52	.53	.52	.51	.52	.51	.50
3	.57	.54	.51	.50	.56	.53	.51	.49	.52	.50	.48	.51	.49	.48	.49	.48	.47
4	.55	.51	.48	.46	.54	.50	.48	.46	.49	.47	.45	.48	.46	.45	.47	.46	.44
5	.52	.48	.45	.43	.51	.47	.45	.43	.46	.44	.42	.46	.44	.42	.45	.43	.42
6	.50	.45	.42	.40	.49	.45	.42	.40	.44	.42	.40	.43	.41	.40	.43	.41	.39
7	.47	.43	.40	.38	.47	.42	.40	.37	.42	.39	.37	.41	.39	.37	.40	.38	.37
8	.45	.40	.37	.35	.44	.40	.37	.35	.33	.37	.34	.32	.37	.34	.32	.36	.34
9	.43	.38	.35	.33	.42	.37	.35	.33	.37	.34	.32	.37	.34	.32	.36	.34	.32
10	.41	.36	.33	.30	.40	.35	.33	.30	.35	.32	.30	.34	.32	.30	.34	.32	.30

CFQ826EB Test No. PL4924

NOTES
 ⊕vs Denotes a Virtual Source reflector.
 Refer to www.prescolite.com for additional photometric tests (IES Files).
 When ordering a sloped ceiling adapter, specify the degree of slope in 5° increments, max. of 35°. For a more precise degree or wet ceiling applications, please contact factory. Sloped ceiling adapter and housing must be installed at the same time.



Web: www.prescolite.com • Tech Support: (888) 777-4832
 701 Millennium Blvd. • Greenville, SC 29607 U.S.A. • Phone (864) 678-1000
 Copyright ©2015 Prescolite, Inc., a division of Hubbell Lighting, Inc. All Rights Reserved
 Specifications subject to change without notice. • Printed in U.S.A. • ARCH-CFL033 • 4/16/15

