



9" Horizontal Open, & Wall Wash Downlight **CFT932HEB**

Two 26W, 32W, or 42W Triple Tube
4-Pin Lamps
Non-IC Rated
120V, 208V, 240V, 277V, or 347V

Featuring VirtualSource vs Reflectors

APPLICATIONS:

The CFT932HEB offers a horizontally lamped compact fluorescent downlight and wall wash fixture that provides superior brightness and glare control. The multi-watt, multi-volt ballast provides the ability to change wattages by simply changing the lamp. This luminaire is ideal for a wide variety of medium to high ceiling applications including commercial, retail, and hospitality.

HOUSING:

One-piece galvanized 18-gauge cold rolled steel platform with friction retaining springs to secure optical system. Prewired J-box with snap-on cover for easy below ceiling access. Same housing accommodates downlight and wall wash downlight reflectors.

REFLECTOR:

High purity aluminum Alzak Virtual Source® iridescence suppressed reflector. Self-trim standard. Painted white self-trim available. Baffled units standard with painted white self trim.

BALLAST:

One (1) compact fluorescent Class 'P' electronic multi-volt (120V through 277V) ballast suitable for operating 26W, 32W, and 42W triple tube lamps. HPF and EOL protection standard. Accessible from below ceiling. Note: Dimming option may result in fixture containing two (2) ballasts. 347V available (specify wattage when ordering).

CATALOG NUMBER:

LAMP:

Two (2) 26W (GX24q-3 base), 32W (GX24q-3 base), or 42W (GX24q-4 base) 4-pin triple tube compact fluorescent lamps. Lamps furnished by others or as option below.

SOCKET:

Two (2) injection molded sockets suitable for 26W, 32W, and 42W triple tube lamps.

INSTALLATION:

Universal adjustable mounting brackets accommodate 1 1/2" or 3/4" lathing channel or 1/2" EMT (by others), or Prescolite 24" bar hangers (B24 or B6).

LABELS:

UL listed or UL/CSA listed with CDN option for damp locations. Approved for through wiring. Non-type I.C.

LAMP INCLUDED OPTION:

Specify lamp type T (Triple 4-pin) and temperature as shown below.

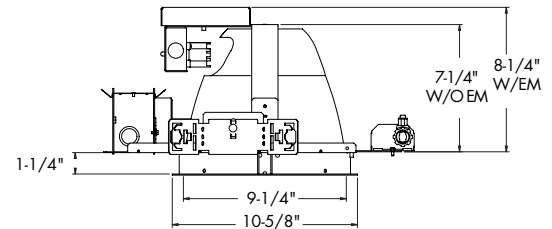
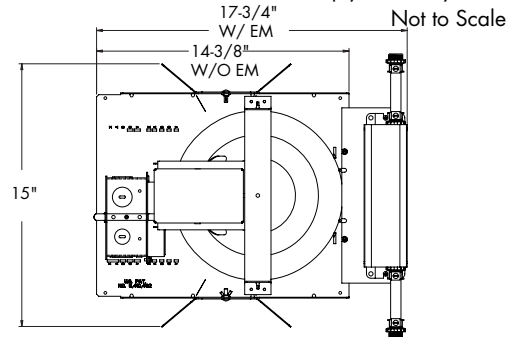
DATE: _____ TYPE: _____

FIRM NAME: _____

PROJECT: _____

Architektür

Ceiling Cutout: 9 13/16"
Maximum Ceiling Thickness: 1 1/4"
For conversion to millimeters,
multiply inches by 25.4



EXAMPLE: CFT932HEBDM STF902H LP32T30K B24

HOUSING	HOUSING OPTIONS	HOUSING OPTIONS	REFLECTORS	REFLECTOR OPTIONS	ACCESSORIES
<input type="checkbox"/> CFT932HEB ¹ 9" (2) 26W/32W/42W Triple tube, multi- volt electronic ballast	<input type="checkbox"/> CDN Canadian electrical code compliant ballast disconnect <input type="checkbox"/> CDN 347V ² Canadian electrical code compliant ballast disconnect <input type="checkbox"/> CP ¹¹ Chicago Plenum. Fixture construction and/or specifications may vary. Refer to Chicago Plenum specification sheets on www.prescolite.com for details. <input type="checkbox"/> DM Electronic Analog Dimming Ballast to 5%, 4-wire 0-10V, analog (120V-277V) (Specify wattage on two lamp housing) <input type="checkbox"/> ECDM ⁸ Lutron EcoSystem or 3-wire line voltage dimming ballast (120- 277V). Dims to 5%.	<input type="checkbox"/> 2DM ^{1,2} Lutron Tu-Wire Dimming Ballast to 5%, 2-wire line voltage (120 volt only; Specify wattage) <input type="checkbox"/> 7DM Advance Mark 7 Dimming Ballast to 5%, 4-wire 0-10V, analog (120V-277V) (Specify wattage on two lamp housing) <input type="checkbox"/> XDM ² Advance Mark 10 Dimming Ballast to 5%, 2-wire line voltage (specify supply voltage/wattage) <input type="checkbox"/> EM ^{4,9,10} Emergency battery pack with integral switch and indicator light <input type="checkbox"/> FSDFA Fuse kit installed at factory <input type="checkbox"/> RIF ^{19,10} Radio interference filter (single circuit) <input type="checkbox"/> MW26 Max Wattage label, 26W <input type="checkbox"/> MW32 Max Wattage label, 32W <input type="checkbox"/> SYL ⁵ Osram Sylvania Ballast (available only for standard EB option) <input type="checkbox"/> SMT ⁹ Philips Advance SmartMate® ballast	<input type="checkbox"/> STF902H vs 9" Alzak reflector REFLECTOR FINISH <input type="checkbox"/> Blank Specular <input type="checkbox"/> SS Semi-Specular <input type="checkbox"/> MFC American Matte™ REFLECTOR COLOR <input type="checkbox"/> Blank Clear Alzak <input type="checkbox"/> CG Champagne Gold Alzak <input type="checkbox"/> BL Black Alzak <input type="checkbox"/> WE Wheat Alzak <input type="checkbox"/> LW Light Wheat Alzak <input type="checkbox"/> PW Pewter Alzak Painted Options* <input type="checkbox"/> WC ⁶ -White Cone <input type="checkbox"/> BC ⁶ -Black Cone *All painted options come standard with an upper specular clear Alzak reflector.	<input type="checkbox"/> WT Painted white self-flange <input type="checkbox"/> BB ⁶ Painted black baffle <input type="checkbox"/> WB ⁶ Painted white baffle <input type="checkbox"/> WW Wall wash reflector <input type="checkbox"/> TRG Trim Ring Gasket (factory installed)	<input type="checkbox"/> B24 Set of two (2) 24" bar hangers for T-bar ceilings <input type="checkbox"/> B6 Set of two (2) bar hangers for ceiling joists up to 24" centers <input type="checkbox"/> FSDFI Fuse kit for field installation <input type="checkbox"/> SCA10D Sloped ceiling adapter (see note on back page) LAMP ACCESSORIES <input type="checkbox"/> LP -wattage= 26, 32, 42 -type= T (Triple 4-pin) -temp= 27K, 30K, 35K, 41K (Kelvin) *Example: LP32T30K Requires two lamps.

¹For 26W, 32W, or 42W CFL lamps specify CFT926HEB, CFT932HEB, or CFT942HEB housing and add desired dimming option suffix.

²Not available with 42W lamps.

³For 26W lamps specify CFT926HEB. For 32W or 42W lamps specify CFT932HEB housing and add desired dimming option suffix.

⁴Not valid with lensed trim.

⁵Available for Osram Sylvania Quick 60+® Limited Warranty when used with Osram lamp(s). See www.prescolite.com for details.

⁶Not available for wall wash

⁷Dimming option not available for 347V.

⁸For 42W specify CFT942HEBECM

⁹Not available for 347V

¹⁰Not available with CP option

¹¹Top access required to service ballast for CP option



A Division of Hubbell Lighting, Inc.

In a continuing effort to offer the best product possible we reserve the right to change, without notice, specifications or materials that in our opinion will not alter the function of the product.

Web: www.prescolite.com • Tech Support: (888) 777-4832

ARCH-CFL-038

PHOTOMETRIC DATA

Architektür - 9" Horizontal Open & Wall Wash Downlight

BALLAST DATA	26W Triple			32W Triple			42W Triple		
	120V	277V	347V	120V	277V	347V	120V	277V	347V
Total System Watts	58W	56W	N/A	74W	72W	N/A	96W	94W	N/A
Input Current (Amps)	0.45	0.21		0.61	0.26		0.8	0.35	
Input Frequency in Hz	50/60	50/60		50/60	50/60		50/60	50/60	
Power Factor	>97%	>97%		>97%	>97%		>97%	>97%	
Ballast Factor	>98%	>98%		>98%	>98%		>98%	>98%	
Total Harmonic Distortion	<10%	<10%		<10%	<10%		<10%	<10%	
Minimum Starting Temp.	-18°C (0°F)	-18°C (0°F)		-18°C (0°F)	-18°C (0°F)		-18°C (0°F)	-18°C (0°F)	

LAMP DATA	26W Triple	32W Triple	42W Triple
Rated Watts	26W Triple	32W Triple	42W Triple
Rated Lumens	1800	2400	3200
Efficacy (LPW)	69	75	76
Rated Life	10,000 hours	10,000 hours	10,000 hours
CRI	82	82	82
Minimum Starting Temp.	0° F	0° F	0° F

LUMINANCE DATA IN CANDELA/SQ. METER			
Angle in Vertical	Average 0°	Average 45°	Average 90°
45°	3168	7524	13408
55°	0	0	0
65°	0	0	0
75°	0	0	0
85°	0	0	0

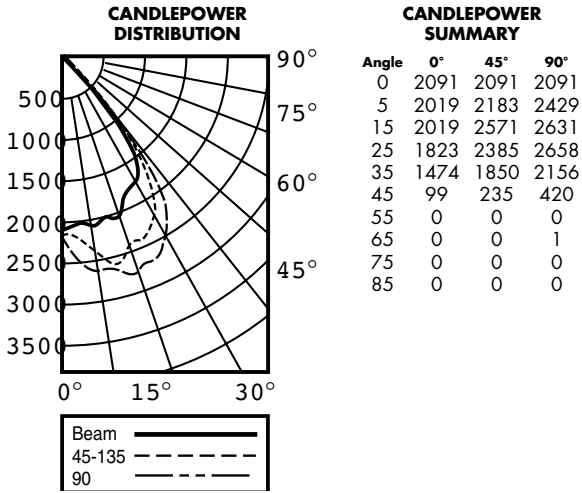
CFT932HEB-STF902H with Specular Clear Alzak Reflector

Lamp: Two 32W Triple

Spacing Criteria:

0° = 1.2
90° = 1.5

Efficiency: 74.3%



Test No. PL5091

AVERAGE INITIAL FOOTCANDLES

Multiple Units (Square Array)

Ceiling 80% Wall 50% Floor 20%

32W Triple			
SPACING	RCR1	RCR3	RCR7
8.0	61	52	39
9.0	48	41	31
10.0	39	33	25
11.0	32	28	20
12.0	27	23	17

COEFFICIENTS OF UTILIZATION Zonal Cavity Method

Room Cavity Ratio	% Effective Ceiling Cavity Reflectance																
	80%		70%		50%		30%		10%								
	% Effective Floor Cavity Reflectance																
% Wall Reflectance																	
	70	50	30	10	70	50	30	10	50	30	10	50	30	10			
1	.85	.83	.81	.79	.83	.81	.80	.78	.78	.77	.76	.75	.74	.73	.73	.72	.71
2	.81	.78	.75	.72	.79	.76	.74	.72	.74	.72	.70	.72	.70	.69	.70	.68	.67
3	.77	.73	.69	.66	.76	.72	.68	.66	.70	.67	.65	.68	.66	.64	.66	.65	.63
4	.73	.68	.64	.61	.72	.67	.64	.61	.66	.63	.60	.64	.62	.60	.63	.61	.59
5	.70	.64	.60	.57	.68	.63	.59	.56	.62	.58	.56	.61	.58	.55	.59	.57	.55
6	.66	.60	.56	.53	.65	.59	.55	.52	.58	.55	.52	.57	.54	.52	.56	.53	.51
7	.63	.56	.52	.49	.62	.55	.51	.48	.54	.51	.48	.53	.50	.48	.53	.50	.47
8	.59	.52	.48	.45	.58	.51	.47	.44	.51	.47	.44	.50	.47	.44	.49	.46	.44
9	.56	.48	.44	.41	.55	.48	.44	.41	.47	.43	.41	.47	.43	.40	.46	.43	.40
10	.52	.45	.41	.38	.52	.45	.41	.38	.44	.40	.37	.43	.40	.37	.43	.40	.37

CFT932HEB-STF902H

Test No. PL5091

NOTES

⊙ vs Denotes a Virtual Source reflector.

Refer to www.prescolite.com for additional photometric tests (IES Files).

When ordering a sloped ceiling adapter, specify the degree of slope in 5° increments, max. of 35°. For a more precise degree or wet ceiling applications, please contact factory. Sloped ceiling adapter and housing must be installed at the same time.

Note: Use of horizontally-lamped open downlights with amalgam-based CFL lamps in air-handling plenums is not recommended because cool air flow over the lamps will result in reduced light output. Prescolite recommends vertical lamp downlights or use of the regressed lensed trim option for horizontal downlights in these applications to reduce this effect. Refer to Prescolite White Paper WP0003 at www.prescolite.com for more information.



Web: www.prescolite.com • Tech Support: (888) 777-4832
701 Millennium Boulevard • Greenville, SC 29607 U.S.A. • Phone (864) 678-1000
Copyright ©2015 Prescolite, Inc., a division of Hubbell Lighting, Inc. All Rights Reserved
Specifications subject to change without notice. • Printed in U.S.A. • ARCH-CFL038 • 4/16/15

