

6" Horizontal Regressed High Impact Lens Downlight

CFT632HEB

One 26W, 32W, or 42W Triple Tube 4-Pin Lamp
Non-IC Rated
120V, 208V, 240V, 277V, or 347V

Featuring VirtualSource vs Reflectors

APPLICATIONS:

The CFT632HEB offers a horizontally lamped compact fluorescent downlight that provides superior brightness and glare control. The multi-watt multi-volt ballast provides the ability to change wattages by simply replacing the lamp. This luminaire is ideal for a wide variety of low to medium height ceiling applications including commercial, retail, and hospitality. The CFT632HEB is compatible with the Signos6 family of architectural elements.

HOUSING:

One-piece 18-gauge galvanized steel platform. Prewired J-box with snap-on cover for easy access. Vented at lamp tip and socket for maximum light output. Same housing accommodates downlight and wall wash downlight reflectors.

REFLECTOR:

High purity aluminum Alzak Virtual Source® iridescence suppressed reflector. Self-trim (ST) standard. Painted white self-trim (WT) available.

LENS:

High impact CA-81 equivalent acrylic lens. Lenses are FDA approved for use in food service areas and UL-94 approved with a flammability rating of 94HB.

BALLAST:

One (1) compact fluorescent Class 'P' electronic multi-volt (120V through 277V) ballast suitable for operating 26W, 32W, and 42W triple tube lamps. HPF and EOL protection standard. Accessible from below ceiling. 347V available (specify wattage when ordering).

LAMP:

One (1) 26W (GX24q-3 base), 32W (GX24q-3 base), or 42W (GX24q-4 base) 4-pin triple tube compact fluorescent lamp. Lamps furnished by others or as option below.

SOCKET:

One (1) injection molded socket suitable for 26W, 32W, and 42W triple tube lamps (vented).

LABELS:

UL listed or UL/CSA listed with CDN option for wet locations when used with lensed trims. Approved for through wiring. Non-type I.C.

LAMP INCLUDED OPTION:

Specify lamp type T (Triple 4-pin) and temperature as shown below.

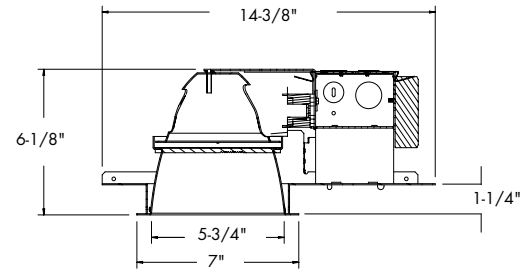
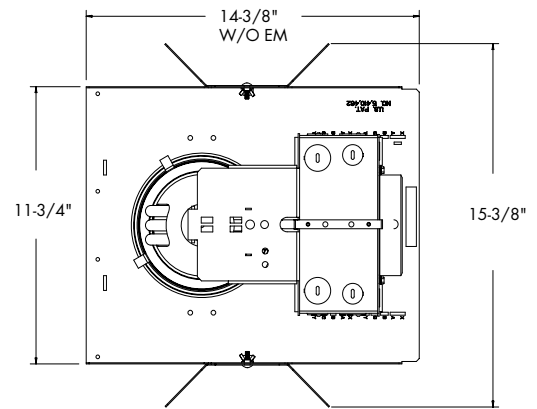
DATE: _____ TYPE: _____

FIRM NAME: _____

PROJECT: _____

Architektür

Ceiling Cutout: 6 1/4"
Maximum Ceiling Thickness: 1 1/4"
For conversion to millimeters, multiply inches by 25.4
Not to Scale
Horizontal EMR Dimension 17-1/2"



CATALOG NUMBER:

Order housing, reflector, and accessories separately

CFT632HEBDMEMR STF602HDL LP32130K B24

HOUSING			REFLECTOR	REFLECTOR COLOR	REFLECTOR OPTIONS	ACCESSORIES
<input type="checkbox"/> CFT632HEB 6", (1) 26W/32W/42W triple tube, multi-volt electronic ballast	<input type="checkbox"/> CDN Canadian electrical code compliant ballast disconnect	<input type="checkbox"/> 2DM Lutron Tu-Wire Dimming Ballast to 5%, 2-wire line voltage (120 volt only)	<input type="checkbox"/> STF602H vs Specular Alzak or Painted Option	<input type="checkbox"/> Blank Clear Alzak	<input type="checkbox"/> DL vs Diffused Lens	<input type="checkbox"/> B24 Set of two (2) bar hangers for T-bar ceilings
<input type="checkbox"/> CDN 347V³ Canadian electrical code compliant ballast disconnect	<input type="checkbox"/> 7DM Advance Mark 7 Dimming Ballast to 5%, 4-wire 0-10V, analog (120V-277V) (specify wattage)	<input type="checkbox"/> STF602HLP32T35K Specular Alzak Reflector with lamp. (32W, Triple, 3500K)	<input type="checkbox"/> CG Champagne Gold Alzak	<input type="checkbox"/> CL vs Clear Lens	<input type="checkbox"/> B6 Set of two (2) bar hangers for ceiling joists up to 24" centers	
<input type="checkbox"/> CP⁸ Chicago Plenum. Fixture construction and/or specifications may vary. Refer to Chicago Plenum specification sheets on www.prescolite.com for details.	<input type="checkbox"/> XDM Advance Mark 10 Dimming Ballast to 5%, 2-wire line voltage (specify supply voltage/wattage)	<input type="checkbox"/> REFLECTOR FINISH	<input type="checkbox"/> PW Pewter Alzak	<input type="checkbox"/> PL vs Prismatic Lens	<input type="checkbox"/> FSDFI Fuse kit for field installation	
<input type="checkbox"/> DM Electronic analog dimming ballast to 5%, 4-wire, 0-10V, analog (120V-277V)	<input type="checkbox"/> EMR^{1,6,7} Emergency battery pack with remote test switch and indicator light (required for lensed reflectors)	<input type="checkbox"/> Blank Specular	<input type="checkbox"/> BL Black Alzak	<input type="checkbox"/> WT Painted White Self Flange	<input type="checkbox"/> SCA6D Sloped ceiling adapter (see note on back page)	
<input type="checkbox"/> ECDM⁵ Lutron EcoSystem or 3-wire line voltage dimming ballast (120-277V). Dims to 5%.	<input type="checkbox"/> FSDFA Fuse kit installed at factory	<input type="checkbox"/> SS Semi-specular	<input type="checkbox"/> WE Wheat Alzak	<input type="checkbox"/> TRG Trim Ring Gasket (Factory Installed)	<input type="checkbox"/> LAMP ACCESSORIES	
<input type="checkbox"/> HDM⁴ Lutron Hi-Lume Dimming Ballast to 1%, 3-wire line voltage (specify supply voltage/wattage)	<input type="checkbox"/> RIF1^{6,7} Radio interference filter (single circuit)	<input type="checkbox"/> MFC American Matte™	<input type="checkbox"/> LW Light Wheat Alzak	<input type="checkbox"/> WC White Cone	<input type="checkbox"/> LP -wattage= 26, 32, 42 -type= T (Triple 4-pin) -temp= 27K, 30K, 35K, 41K (Kelvin)	
<input type="checkbox"/> MW26 Max Wattage label, 26W	<input type="checkbox"/> MW32 Max Wattage label, 32W	<input type="checkbox"/> MW32 Max Wattage label, 32W	<input type="checkbox"/> Painted Options*	<input type="checkbox"/> BC Black Cone	<input type="checkbox"/> *All painted options come standard with an upper specular clear Alzak reflector.	
<input type="checkbox"/> SYL² Osram Sylvania Ballast (available only for standard EB option)	<input type="checkbox"/> SMT⁶ Philips Advance SmartMate® ballast	<input type="checkbox"/> SMT⁶ Philips Advance SmartMate® ballast	<input type="checkbox"/> WC White Cone	<input type="checkbox"/> BC Black Cone	<input type="checkbox"/> *Example: LP32T30K	

¹Remote mount test switch and indicator for use with lensed trim.
²Available for Osram Sylvania Quick 60+™ Limited Warranty when used with Osram lamp(s). See www.prescolite.com for details.
³Dimming option not available in 347V.
⁴Not available for 42W.
⁵For 42W specify CFT642HEB ECDM.
⁶Not available for 347V
⁷Not available with CP option
⁸Top access required to service ballast for Chicago Plenum

In a continuing effort to offer the best product possible we reserve the right to change, without notice, specifications or materials that in our opinion will not alter the function of the product.
Web: www.prescolite.com • Tech Support: (888) 777-4832

PHOTOMETRIC DATA

Architektür - 6" Horizontal Triple Tube Regressed High Impact Lens Downlight - CFT632HEB

BALLAST DATA	26W Triple			32W Triple			42W Triple		
	120V	277V	347V	120V	277V	347V	120V	277V	347V
Total System Watts	28W	28W	38W	35W	35W	42W	44W	47W	48W
Input Current (Amps)	0.23	0.1	0.11	0.29	0.13	0.12	0.36	0.17	0.14
Input Frequency in Hz	50/60	50/60	50/60	50/60	50/60	50/60	50/60	50/60	50/60
Power Factor	>97%	>97%	>97%	>97%	>97%	>97%	>97%	>97%	>97%
Ballast Factor	>98%	>98%	>98%	>98%	>98%	>98%	>98%	>98%	>98%
Total Harmonic Distortion	<10%	<10%	<10%	<10%	<10%	<10%	<10%	<10%	<10%
Total Harmonic Distortion	-18°C (0°F)	-18°C (0°F)	-18°C (0°F)	-18°C (0°F)	-18°C (0°F)	-18°C (0°F)	-18°C (0°F)	-18°C (0°F)	-18°C (0°F)

LAMP DATA (One per fixture)

	26W Triple	32W Triple	42W Triple
Rated Watts	26W Triple	32W Triple	42W Triple
Rated Lumens	1800	2400	3200
Efficacy (LPW)	69	75	76
Rated Life	10,000 hours	10,000 hours	10,000 hours
CRI	82	82	82
Min. Starting Temp.	0° F	0° F	0° F

LUMINANCE DATA IN CANDELA/SQ. METER

Angle in Vertical	Average
0°	
45°	10780
55°	6143
65°	363
75°	106
85°	0

AVERAGE INITIAL FOOTCANDLES

Assumptions:

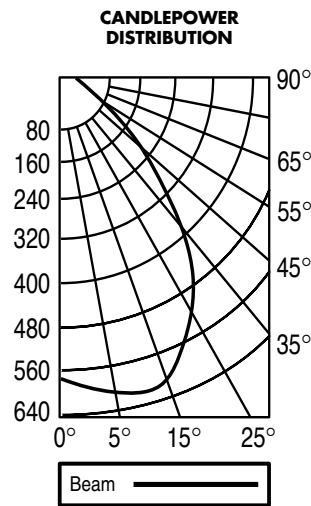
- Multiple units (square array)
- Ceiling 80%; Wall 50%; Floor 20%
- Four fixtures evenly spaced in the center of the room
- The room is square and has a width and length equal to twice the lamp spacing
- The lumen depreciation factor is 0.8
- The dirt depreciation factor is 0.98

32W Triple

SPACING	RCR1	RCR3	RCR7
7.0	15	13	9
8.0	11	10	7
9.0	9	8	6
10.0	7	6	4
11.0	6	5	4
12.0	5	4	3
13.0	4	4	3
14.0	4	3	2
15.0	3	3	2

CFT632HEB-STF602HCL Clear Alzak Reflector w/clear lens

Lamp: One 32W Triple
Rated lumens: 2400
Spacing Criteria: 1.1
Efficiency: 35.9%



CANDLEPOWER SUMMARY

Angle	0°
0	574
5	585
10	604
15	615
20	602
25	556
30	462
35	347
40	233
45	139
50	78
55	64
60	21
65	3
70	1
75	1
80	0
85	0
90	0

Test No. 2003133

COEFFICIENTS OF UTILIZATION Zonal Cavity Method

Room Cavity Ratio	% Effective Floor Cavity Reflectance																							
	80%				70%				50%				30%				10%				0%			
	20% Effective Floor Cavity Reflectance																							
	% Wall Reflectance																							
	70	50	30	10	70	50	30	10	50	30	10	50	30	10	50	30	10	50	30	10	0			
0	.43	.43	.43	.43	.42	.42	.42	.42	.40	.40	.40	.38	.38	.38	.37	.37	.37	.36	.36	.36	.36			
1	.40	.39	.38	.37	.40	.39	.38	.37	.37	.36	.36	.36	.35	.35	.35	.34	.34	.33	.33	.33	.33			
2	.38	.36	.35	.33	.37	.36	.34	.33	.34	.33	.32	.33	.32	.31	.32	.31	.31	.30	.30	.30	.30			
3	.36	.33	.31	.30	.35	.33	.31	.29	.32	.30	.29	.31	.30	.28	.30	.29	.28	.27	.27	.27	.27			
4	.34	.31	.28	.27	.33	.30	.28	.26	.29	.28	.26	.29	.27	.26	.28	.27	.26	.25	.25	.25	.25			
5	.32	.28	.26	.24	.31	.28	.26	.24	.27	.25	.24	.27	.25	.24	.26	.25	.23	.23	.23	.23	.23			
6	.30	.26	.24	.22	.29	.26	.24	.22	.25	.23	.22	.25	.23	.22	.24	.23	.21	.21	.21	.21	.21			
7	.28	.24	.22	.20	.28	.24	.22	.20	.24	.21	.20	.23	.21	.20	.23	.21	.20	.19	.19	.19	.19			
8	.26	.23	.20	.18	.26	.22	.20	.18	.22	.20	.18	.22	.20	.18	.21	.19	.18	.18	.18	.18	.18			
9	.25	.21	.19	.17	.25	.21	.19	.17	.21	.18	.17	.20	.18	.17	.20	.18	.17	.16	.16	.16	.16			
10	.24	.20	.17	.16	.23	.20	.17	.16	.19	.17	.16	.19	.17	.16	.19	.17	.16	.15	.15	.15	.15			

CFT632HEB-STF602HCL

Test No. 2003133

NOTES

Ⓞ vs Denotes a Virtual Source reflector.

Refer to www.prescolite.com for additional photometric tests (IES Files).

When ordering a sloped ceiling adapter, specify the degree of slope in 5° increments, max. of 35°. For a more precise degree or wet ceiling applications, please contact factory. Sloped ceiling adapter and housing must be installed at the same time.

