

Featuring VirtualSource vs Reflectors

6" Horizontal Regressed High Impact Lens Downlight **CFR626EB**

Two 26W Quad Tube 4-Pin Lamps
Non-IC Rated
120V, 208V, 240V, 277V, or 347V

APPLICATIONS:

The CFR6 series offers a horizontally lamped compact fluorescent downlight that provides superior brightness and glare control. This series is ideal for a wide variety of low to medium height ceiling applications including commercial, retail, and hospitality. The CFR6 series of luminaires is compatible with the Signos6 family of architectural elements.

HOUSING:

One-piece 18-gauge galvanized steel platform. Prewired J-box with snap-on cover for easy access. Vented at lamp tip and socket for maximum light output. Same housing accommodates downlight and wall wash downlight reflectors. 347V available.

REFLECTOR:

High purity aluminum Alzak Virtual Source® iridescence suppressed reflector. Self-trim standard. Painted white self-trim available.

LENS:

High impact CA-81 equivalent acrylic lens. Lenses are FDA approved for use in food service areas and UL-94 approved with a flammability rating of 94HB.

BALLAST:

One (1) compact fluorescent Class 'P' electronic multi-volt (120V through 277V) ballast for long life and quiet operation. HPF and EOL protection standard. Accessible from below ceiling. 347V available.

LAMP:

Two (2) 26W quad tube with G24q-3 base lamps. Lamps furnished by others or as option below.

SOCKET:

Two (2) injection molded sockets (vented).

INSTALLATION:

Universal adjustable mounting brackets accommodate 1 1/2" or 3/4" lathing channel or 1/2" EMT (by others), or Prescolite 24" bar hangers (B24 or B6).

LABELS:

UL listed or UL/CSA listed with CDN option for wet locations. Approved for through wiring. Non-type I.C.

LAMP INCLUDED OPTION:

Specify lamp type Q4 [Quad 4-pin] and temperature as shown below.

DATE: _____ TYPE: _____

FIRM NAME: _____

PROJECT: _____

Architektür

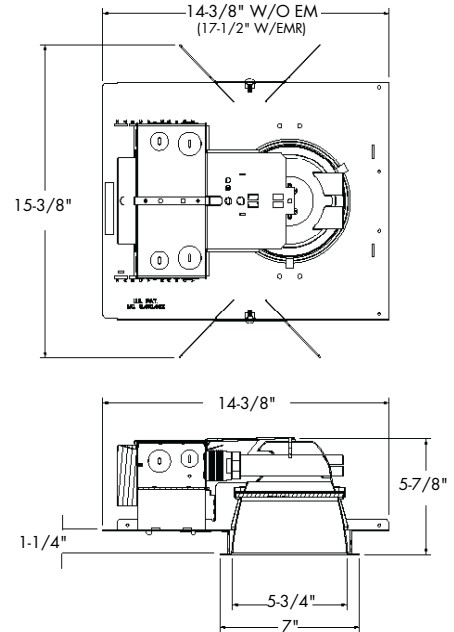
Ceiling Cutout: 6 1/4"

Maximum Ceiling Thickness: 1 1/4"

For conversion to millimeters, multiply inches by 25.4

Not to Scale

Horizontal EMR Dimension 17-1/2"



CATALOG NUMBER:

EXAMPLE: CFR626EB ST372ACL LP26Q430K B6

Order housing, reflector, and accessories separately

HOUSING		REFLECTOR		ACCESSORIES	
<ul style="list-style-type: none"> <input type="checkbox"/> CFR626EB 6", (2) 26W quad tube, multi-volt electronic ballast. 	<ul style="list-style-type: none"> <input type="checkbox"/> CDN Canadian electrical code compliant ballast disconnect <input type="checkbox"/> CDN 347V³ Canadian electrical code compliant ballast disconnect <input type="checkbox"/> CP Chicago Plenum. Fixture construction and/or specifications may vary. Refer to Chicago Plenum specification sheets on www.prescolite.com for details. <input type="checkbox"/> DM Electronic Analog Dimming Ballast to 3%, 4-wire 0-10V, analog (120V-277V) <input type="checkbox"/> ECDM Lutron EcoSystem or 3-wire line voltage dimming ballast (120-277V). Dims to 5%. 	<ul style="list-style-type: none"> <input type="checkbox"/> 7DM Advance Mark 7 Dimming Ballast to 5%, 4-wire 0-10V, analog (120V-277V) <input type="checkbox"/> XDM Advance Mark 10 Dimming Ballast to 5%, 2-wire line voltage (specify supply voltage/wattage) <input type="checkbox"/> EMR¹ Emergency battery pack with remote test switch and indicator light (required for lensed reflectors) <input type="checkbox"/> FSDFA Fuse kit installed at factory <input type="checkbox"/> RIF1 Radio interference filter (single circuit) <input type="checkbox"/> RIF2 Radio interference filter (twin circuit) <input type="checkbox"/> SYL² Osram Sylvania Ballast (available only for standard EB option) <input type="checkbox"/> SMT Philips Advance SmartMate® ballast 	<ul style="list-style-type: none"> <input type="checkbox"/> ST372A vs Specular Alzak or Painted Option <input type="checkbox"/> ST372ALP26Q435K Reflector with lamp 	<ul style="list-style-type: none"> <input type="checkbox"/> CG Champagne Gold Alzak <input type="checkbox"/> PW Pewter Alzak <input type="checkbox"/> BL Black Alzak <input type="checkbox"/> WE Wheat Alzak <input type="checkbox"/> LW Light Wheat Alzak 	<ul style="list-style-type: none"> <input type="checkbox"/> DL-Diffused Lens vs <input type="checkbox"/> CL-Clear Lens vs <input type="checkbox"/> PL-Prismatic Lens vs <input type="checkbox"/> WT-Painted White Self Flange <input type="checkbox"/> TRG-Trim Ring Gasket (Factory Installed)
		<ul style="list-style-type: none"> <input type="checkbox"/> REFLECTOR FINISH <input type="checkbox"/> Blank Specular <input type="checkbox"/> SS Semi-specular <input type="checkbox"/> MFC AmericanMatte™ 	<ul style="list-style-type: none"> <input type="checkbox"/> Painted Options* <input type="checkbox"/> WC-White Cone <input type="checkbox"/> BC-Black Cone 	<ul style="list-style-type: none"> <input type="checkbox"/> B24 Set of two (2) 24" bar hangers for T-bar ceilings <input type="checkbox"/> B6 Set of two (2) bar hangers for ceiling joists up to 24" centers <input type="checkbox"/> FSDFI Fuse kit for field installation <input type="checkbox"/> SCA6D Sloped ceiling adapter (see note on back page) 	
				<ul style="list-style-type: none"> <input type="checkbox"/> LAMP ACCESSORIES <input type="checkbox"/> LP -wattage= 26 -type= Q4 (Quad 4-pin) -temp= 27K, 30K, 35K, 41K (Kelvin) *Example: LP26Q430K Requires two lamps. 	



In a continuing effort to offer the best product possible we reserve the right to change, without notice, specifications or materials that in our opinion will not alter the function of the product.
Web: www.prescolite.com • Tech Support: (888) 777-4832

ARCH-CFL-055

¹Remote mount test switch and indicator light for use with lensed trim.

²Available for Osram Sylvania Quick 60+® Limited Warranty when used with Osram lamp(s). See www.prescolite.com for details.

³Dimming option not available in 347V.

PHOTOMETRIC DATA

Architektūr - 6" Horizontal Quad Tube Regressed High Impact Lens Downlight - CFR SERIES

BALLAST DATA	26W Quad		
	120V	277V	347V
Total System Watts	57W	57W	58W
Input Current (Amps)	0.48	0.21	0.17
Input Frequency in Hz	50/60	50/60	50/60
Power Factor	>97%	>97%	>97%
Ballast Factor	>98%	>98%	1
Total Harmonic Distortion	<10%	<10%	<10%
Total Harmonic Distortion	-18°C (0°F)	-18°C (0°F)	-18°C (0°F)

LAMP DATA (two per fixture)	
Rated Watts	26W Quad
Rated Lumens	1800
Efficacy (LPW)	69
Rated Life	10,000 hours
CRI	82
Min. Starting Temp.	° F

LUMINANCE DATA IN CANDELA/SQ. METER

Angle in Vertical	Average 0°	Average 90°	Average 180°
45°	13300	15200	15365
55°	7129	7231	7536
65°	553	691	691
75°	226	226	226
85°	0	0	0

CFR626EB-ST372ACL Clear Alzak Reflector w/clear lens

Lamp: Two 26W Quad
Rated lumens: 1710
Spacing Criteria: 1.2
Efficiency: 32.0%

AVERAGE INITIAL FOOTCANDLES

Assumptions:

1. Ceiling 80%; Wall 50%; Floor 20%
2. Four Luminaires evenly spaced in the center of the room
3. The room is square and has a width and length equal to twice the luminaire spacing (LS)
4. RCR is Room Cavity Ratio
5. Dirt and Lumen Depreciation Factors are 1.0
6. Ballast Factor is 1.0 for ballasted fixtures

26W Quads

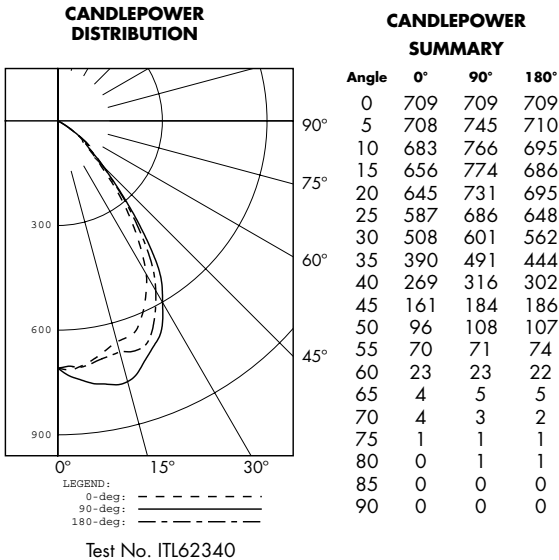
SPACING	RCR1	RCR3	RCR7
7.0	24	20	15
8.0	19	15	11
9.0	15	12	9
10.0	12	10	7
11.0	10	8	6
12.0	8	7	5
13.0	7	6	4
14.0	6	5	4
15.0	5	4	3

COEFFICIENTS OF UTILIZATION Zonal Cavity Method

Room Cavity Ratio	% Effective Ceiling Ceiling Reflectance																			
	80%				70%				50%				30%				10%			
	20% Effective Floor Cavity Reflectance																			
% Wall Reflectance																				
	70	50	30	10	70	50	30	10	50	30	10	50	30	10	50	30	10			
1	.36	.35	.34	.33	.35	.34	.34	.33	.33	.32	.32	.32	.31	.31	.31	.30	.30			
2	.34	.32	.31	.29	.33	.32	.30	.29	.31	.29	.28	.30	.29	.28	.29	.28	.27			
3	.32	.29	.28	.26	.31	.29	.27	.26	.28	.27	.26	.27	.26	.25	.27	.26	.25			
4	.30	.27	.25	.23	.29	.27	.25	.23	.26	.24	.23	.25	.24	.23	.25	.24	.23			
5	.28	.25	.23	.21	.27	.25	.23	.21	.24	.22	.21	.23	.22	.21	.23	.22	.21			
6	.26	.23	.21	.19	.26	.23	.21	.19	.22	.20	.19	.22	.20	.19	.21	.20	.19			
7	.25	.21	.19	.18	.24	.21	.19	.18	.21	.19	.17	.20	.19	.17	.20	.18	.17			
8	.23	.20	.18	.16	.23	.20	.18	.16	.19	.17	.16	.19	.17	.16	.19	.17	.16			
9	.22	.18	.16	.15	.22	.18	.16	.15	.18	.16	.15	.18	.16	.15	.17	.16	.15			
10	.21	.17	.15	.14	.20	.17	.15	.14	.17	.15	.14	.17	.15	.14	.16	.15	.14			

CFR626EB-ST372ACL

Test No. ITL62340



NOTES

☞ Denotes a Virtual Source reflector.

Refer to www.prescolite.com for additional photometric tests (IES Files).

When ordering a sloped ceiling adapter, specify the degree of slope in 5° increments, max. of 35°. For a more precise degree or wet ceiling applications, please contact factory. Sloped ceiling adapter and housing must be installed at the same time.

