

Featuring VirtualSource vs Reflectors

6" Horizontal Regressed High Impact Lens Downlight

CFR6126EB

One 26W Quad Tube 4-Pin Lamp
Non-IC Rated
120V, 208V, 240V, 277V, or 347V

DATE: _____ TYPE: _____

FIRM NAME: _____

PROJECT: _____

Architektür

Ceiling Cutout: 6 1/4"
Maximum Ceiling Thickness: 1 1/4"
For conversion to millimeters,
multiply inches by 25.4
Not to Scale
Horizontal EMR Dimension 17-1/2"

APPLICATIONS:

The CFR6126EB offers a horizontally lamped compact fluorescent downlight that provides superior brightness and glare control. This luminaire is ideal for a wide variety of low to medium height ceiling applications including commercial, retail, and hospitality. The CFR6126EB is compatible with the Signosó family of architectural elements.

HOUSING:

One-piece 18-gauge galvanized steel platform. Prewired J-box with snap-on cover for easy access. Vented at lamp tip and socket for maximum light output. Same housing accommodates downlight and wall wash downlight reflectors.

REFLECTOR:

High purity aluminum Alzak Virtual Source® iridescence suppressed reflector. Self-trim (ST) standard. Painted white self-trim (WT) available.

LENS:

High impact CA-81 equivalent acrylic lens. Lenses are FDA approved for use in food service areas and UL-94 approved with a flammability rating of 94HB.

BALLAST:

One (1) 26W compact fluorescent Class 'P' electronic multi-volt (120V through 277V) ballast for long life and quiet operation. HPF and EOL protection standard. Accessible from below ceiling. 347V available.

LAMP:

One (1) 26W quad tube with G24q-3 base. Lamp furnished by others or as option below.

SOCKET:

One (1) injection molded socket (vented).

INSTALLATION:

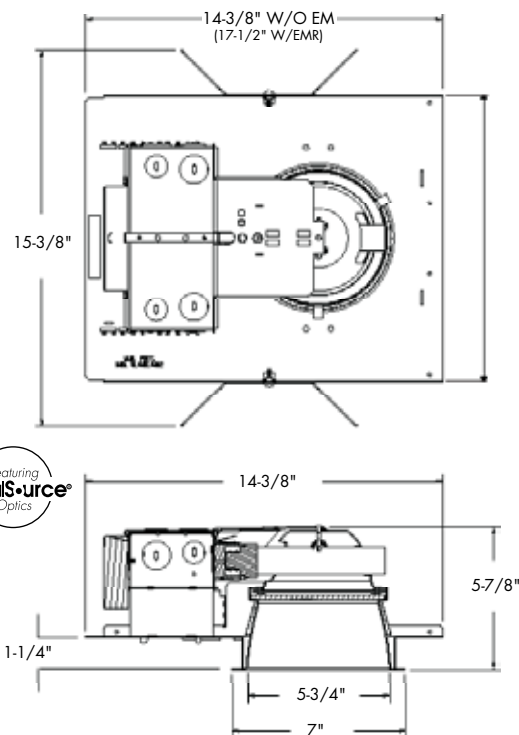
Universal adjustable mounting brackets accommodate 1 1/2" or 3/4" lathing channel or 1/2" EMT (by others), or Prescolite 24" bar hangers (B24 or B6).

LABELS:

UL listed or UL/CSA listed with CDN option for wet locations. Approved for through wiring. Non-type I.C.

LAMP INCLUDED OPTION:

Specify lamp type Q4 (Quad 4-pin) and temperature as shown below.



CATALOG NUMBER:

EXAMPLE: CFR6126EBDM ST372A1MFCCL LP26Q430K B6

HOUSING	HOUSING OPTIONS	HOUSING OPTIONS	REFLECTOR	REFLECTOR COLOR	REFLECTOR OPTIONS	ACCESSORIES
<input type="checkbox"/> CFR6126EB 6", (1) 26W Quad tube, multi-volt electronic ballast	<input type="checkbox"/> CDN Canadian electrical code compliant ballast disconnect <input type="checkbox"/> CDN 347V⁴ Canadian electrical code compliant ballast disconnect <input type="checkbox"/> CP² Chicago Plenum. Fixture construction and/or specifications may vary. Refer to Chicago Plenum specification sheets on www.prescolite.com for details. <input type="checkbox"/> DM Electronic Analog Dimming Ballast to 3%, 4-wire 0-10V, analog (120V-277V) <input type="checkbox"/> ECDM Lutron EcoSystem or 3-wire line voltage dimming ballast (120-277V). Dims to 5%.	<input type="checkbox"/> 7DM Advance Mark 7 Dimming Ballast to 5%, 4-wire 0-10V, analog (120V-277V) <input type="checkbox"/> XDM Advance Mark 10 Dimming Ballast to 5%, 2-wire line voltage (specify supply voltage/wattage) <input type="checkbox"/> EMR¹ Emergency battery pack with remote test switch and indicator light (required for lensed reflector) <input type="checkbox"/> FSDFA Fuse kit installed at factory <input type="checkbox"/> RIF1 Radio interference filter (single circuit) <input type="checkbox"/> SYL³ Osram Sylvania Ballast (available only for standard EB option) <input type="checkbox"/> SMT Philips Advance SmartMate® ballast	<input type="checkbox"/> ST372A1 vs Specular Alzak or Painted Option <hr/> REFLECTOR FINISH <input type="checkbox"/> BLANK vs Specular <input type="checkbox"/> SS vs Semi-Specular <input type="checkbox"/> MFC vs American Matte™	<input type="checkbox"/> CG Champagne Gold Alzak <input type="checkbox"/> PW Pewter Alzak <input type="checkbox"/> BL Black Alzak <input type="checkbox"/> WE Wheat Alzak <input type="checkbox"/> LW Light Wheat Alzak Painted Options* <input type="checkbox"/> WC White Cone <input type="checkbox"/> BC Black Cone *All painted options come standard with an upper specular clear Alzak reflector.	<input type="checkbox"/> DL Diffused Lens vs <input type="checkbox"/> CL Clear Lens vs <input type="checkbox"/> PL Prismatic Lens vs <input type="checkbox"/> WT Painted White Self Flange <input type="checkbox"/> TRG Trim Ring Gasket (Factory Installed)	<input type="checkbox"/> B24 Set of two (2) 24" bar hangers for T-bar ceilings <input type="checkbox"/> B6 Set of two (2) bar hangers for ceiling joists up to 24" centers <input type="checkbox"/> FSDFI Fuse kit for field installation <input type="checkbox"/> SCA6D Sloped ceiling adapter (see note on back page)
						LAMP ACCESSORIES <input type="checkbox"/> LP -wattage= 26 -type= Q4 (Quad 4-pin) -temp= 27K, 30K, 35K, 41K (Kelvin) *Example: LP26Q430K

¹Remote mount test switch and indicator light for use with lensed trim.

²Top access required to service ballast for Chicago Plenum.

³Available for Osram Sylvania Quick 60+® Limited Warranty when used with Osram lamp(s). See www.prescolite.com for details.

⁴Dimming option not available in 347V.

PHOTOMETRIC DATA

Architektür - 6" Horizontal Quad Tube Regressed High Impact Lens Downlight - CFR6126EB

BALLAST DATA

26W Quad

	120V	277V	347V
Total System Watts	20W	29W	31W
Input Current (Amps)	0.17	0.11	0.09
Input Frequency	50Hz or 60Hz	50Hz or 60Hz	50Hz or 60Hz
Power Factor	>97%	>97%	>97%
Ballast Factor	>98%	>98%	1
Total Harmonic Distortion	<10%	<10%	<10%
Minimum Starting Temp.	-18° C (0° F)	-18° C (0° F)	-18° C (0° F)

LAMP DATA

Rated Watts	26W Quad
Rated Lumens	1800
Efficacy (LPW)	69
Rated Life	10,000 hours
CRI	82
Minimum Starting Temp.	0° F

LUMINANCE DATA IN CANDELA/SQ. METER

Angle in Vertical	Average 0°	Average 90°	Average 180°
45°	7765	7600	8013
55°	4175	3463	4175
65°	276	276	276
75°	226	226	0
85°	0	0	0

AVERAGE INITIAL FOOTCANDLES

Assumptions:

1. Ceiling 80%; Wall 50%; Floor 20%
2. Four luminaires evenly spaced in the center of the room
3. The room is square and has a width and length equal to twice the luminaire spacing (LS)
4. RCR is Room Cavity Ratio
5. Dirt and Lumen Depreciation Factors are 1.0
6. Ballast Factor is 1.0 for ballasted fixtures

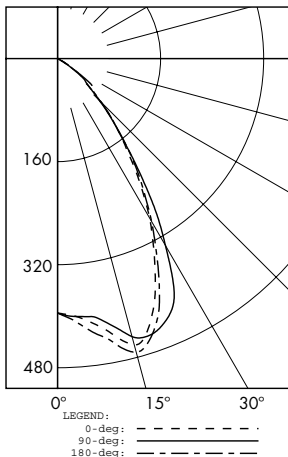
26W Quads

SPACING	RCR1	RCR3	RCR7
7.0	14	12	9
8.0	11	9	7
9.0	8	7	5
10.0	7	6	4
11.0	6	5	4
12.0	5	4	3
13.0	4	3	3
14.0	3	3	2
15.0	3	3	2

CFR6126EB-ST372A1CL Clear Alzak Reflector w/clear lens

Lamp: One 26W Quad
Rated lumens: 1710
Spacing Criteria: 1.1
Efficiency: 36.3%

CANDLEPOWER DISTRIBUTION



Test No. ITL62342

CANDLEPOWER SUMMARY

Angle	0°	90°	180°
0	395	395	395
5	404	402	415
10	427	414	441
15	460	447	472
20	427	450	443
25	358	424	372
30	286	335	292
35	210	233	219
40	148	147	149
45	94	92	97
50	55	58	70
55	41	34	41
60	16	10	10
65	2	2	2
70	1	1	1
75	1	1	0
80	0	0	0
85	0	0	0
90	0	0	0

COEFFICIENTS OF UTILIZATION

Zonal Cavity Method

Room Cavity Ratio	% Effective Ceiling Cavity Reflectance																			
	80%				70%				50%				30%				10%			
	20% Effective Floor Cavity Reflectance																			
	% Wall Reflectance																			
	70	50	30	10	70	50	30	10	50	30	10	50	30	10	50	30	10			
1	.41	.40	.39	.38	.40	.39	.38	.37	.38	.37	.36	.36	.36	.35	.35	.34	.34			
2	.39	.37	.35	.34	.38	.36	.34	.33	.35	.34	.32	.34	.33	.32	.33	.32	.31			
3	.36	.34	.32	.30	.36	.33	.31	.30	.32	.31	.29	.31	.30	.29	.30	.29	.28			
4	.34	.31	.29	.27	.33	.31	.28	.27	.30	.28	.26	.29	.27	.26	.28	.27	.26			
5	.32	.29	.26	.24	.31	.28	.26	.24	.28	.26	.24	.27	.25	.24	.26	.25	.24			
6	.30	.26	.24	.22	.30	.26	.24	.22	.26	.23	.22	.25	.23	.22	.25	.23	.22			
7	.28	.25	.22	.20	.28	.24	.22	.20	.24	.22	.20	.23	.21	.20	.23	.21	.20			
8	.27	.23	.20	.19	.26	.23	.20	.19	.22	.20	.19	.22	.20	.18	.21	.20	.18			
9	.25	.21	.19	.17	.25	.21	.19	.17	.21	.19	.17	.20	.18	.17	.20	.18	.17			
10	.24	.20	.18	.16	.23	.20	.17	.16	.19	.17	.16	.19	.17	.16	.19	.17	.16			

CFR6126EB-ST372A1CL

Test No. ITL62342

NOTES

⊙ vs Denotes a Virtual Source reflector.

Refer to www.prescolite.com for additional photometric tests (IES Files).

When ordering a sloped ceiling adapter, specify the degree of slope in 5° increments, max. of 35°. For a more precise degree or wet ceiling applications, please contact factory. Sloped ceiling adapter and housing must be installed at the same time.

