



# 8" Vertical Regressed High Impact Lens Downlights **CFQ826EB**

One 26W Quad Tube  
4-Pin Lamp  
Non-IC Rated  
120V, 208V, 240V, 277V, or 347V

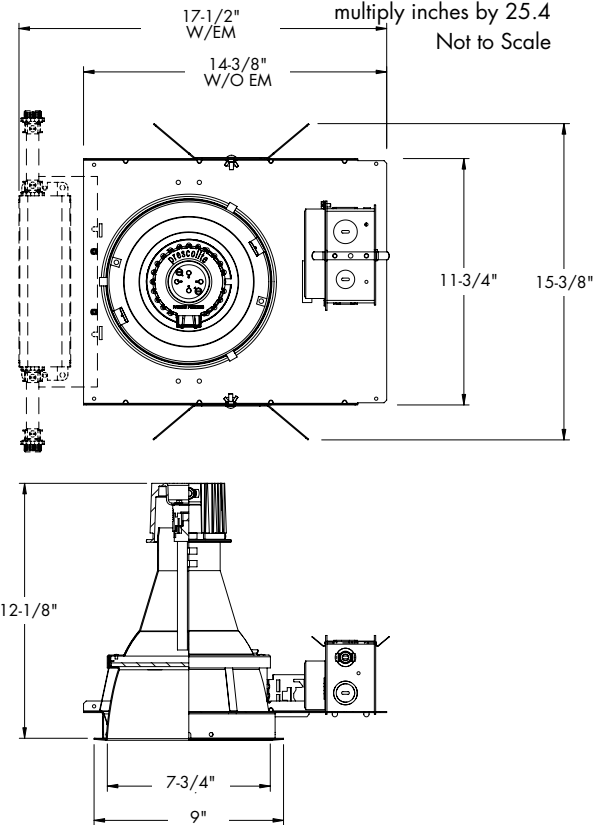
DATE: \_\_\_\_\_ TYPE: \_\_\_\_\_

FIRM NAME: \_\_\_\_\_

PROJECT: \_\_\_\_\_

**Architektür**

Ceiling Cutout: 8 1/4"  
Maximum Ceiling Thickness: 1 1/4"  
For conversion to millimeters,  
multiply inches by 25.4  
Not to Scale



Featuring VirtualSource VS Reflectors

### APPLICATIONS:

The CFQ8 series offers a vertical lamped compact fluorescent downlight that provides superior brightness and glare control. This series is ideal for a wide variety medium to high ceiling applications including commercial, retail, and hospitality. The CFQ8 series is compatible with the Signos8 family of architectural elements.

### HOUSING:

One-piece 18-gauge galvaneel steel platform. Prewired J-box with snap-on cover for easy access. Same housing accommodates downlight and wall wash downlight reflectors. Diecast aluminum heat sink with patented (U.S. Patent No. 7,740,384) twist and lock mechanism that ensures accurate and stable lamp location.

### REFLECTOR:

High purity aluminum Alzak Virtual Source® iridescence suppressed reflector. Self-trim standard. Painted white self-trim available.

### BALLAST:

One (1) 26W compact fluorescent Class 'P' electronic multi-volt (120V through 277V) ballast. HPF and EOL protection standard. Accessible from below ceiling. 347V available.

### LENS:

High impact CA-81 equivalent acrylic lens. Lenses are FDA approved for use in food service areas and UL-94 approved with a flammability rating of 94HB.

### LAMP:

One (1) 26W (G24q-3 base) 4-pin quad tube compact fluorescent lamp. Lamp furnished by others or as option below.

### SOCKET:

One (1) injection molded socket. Adjusts to three positions, accommodating various lamp sizes and ensuring proper lamp position.

### INSTALLATION:

Universal adjustable mounting brackets accommodate 1 1/2" or 3/4" lathing channel (by others) or Prescolite 24" bar hangers (B24 or B6).

### LABELS:

UL Listed or UL/CSA listed with CDN option for wet locations. Approved for through wiring. Non-type I.C.

### LAMP INCLUDED OPTION:

Specify lamp type Q4 (Quad 4-pin) and temperature as shown below.

CATALOG NUMBER:

EXAMPLE: CFQ826EB STF802CL LP26Q430K B24

HOUSINGS	HOUSING OPTIONS	HOUSING OPTIONS	REFLECTOR	REFLECTOR COLOR	REFLECTOR OPTIONS	ACCESSORIES
<input type="checkbox"/> <b>CFQ826EB</b> 8", (1) 26W Quad tube, multi-volt electronic ballast	<input type="checkbox"/> <b>CDN</b> Canadian electrical code compliant ballast disconnect <input type="checkbox"/> <b>CDN 347V<sup>3</sup></b> Canadian electrical code compliant ballast disconnect <input type="checkbox"/> <b>CP</b> Chicago Plenum. CP fixture height is 12 15/16" <input type="checkbox"/> <b>7DM</b> Advance Mark 7 Dimming Ballast to 5%, 4-wire 0-10V, analog (120V-277V) <input type="checkbox"/> <b>DM</b> Electronic Analog Dimming Ballast to 3%, 4-wire 0-10V, analog (120V-277V) <input type="checkbox"/> <b>ECDM</b> Lutron EcoSystem or 3-wire line voltage dimming ballast (120-277V). Dims to 5%.	<input type="checkbox"/> <b>2DM</b> Lutron Tu-Wire Dimming Ballast to 5%, 2-wire line voltage (120V only) <input type="checkbox"/> <b>XDM</b> Advance Mark 10 Dimming Ballast to 5%, 2-wire line voltage (specify supply voltage/wattage) <input type="checkbox"/> <b>EMR<sup>1,4,5</sup></b> Emergency battery pack with remote test switch and indicator light <input type="checkbox"/> <b>FSDFA</b> Fuse kit installed at factory <input type="checkbox"/> <b>RIF1<sup>4,5</sup></b> Radio interference filter (single circuit) <input type="checkbox"/> <b>SYL<sup>2</sup></b> Osram Sylvania Ballast (available only for standard EB option) <input type="checkbox"/> <b>SMT<sup>4</sup></b> Philips Advance SmartMate® ballast	<input type="checkbox"/> <b>STF802</b> vs Specular Alzak or Painted Option <hr/> <b>REFLECTOR FINISH</b> <input type="checkbox"/> <b>Blank</b> Specular <input type="checkbox"/> <b>SS</b> Semi-Specular <input type="checkbox"/> <b>MFC</b> American Matte™	<input type="checkbox"/> <b>Blank</b> Clear Alzak <input type="checkbox"/> <b>CG</b> Champagne Gold Alzak <input type="checkbox"/> <b>PW</b> Pewter Alzak <input type="checkbox"/> <b>BL</b> Black Alzak <input type="checkbox"/> <b>WE</b> Wheat Alzak <input type="checkbox"/> <b>LW</b> light Wheat Alzak  <b>Painted Options*</b> <input type="checkbox"/> <b>WC</b> -White Cone <input type="checkbox"/> <b>BC</b> -Black Cone  *All painted options come standard with an upper specular clear Alzak reflector.	<input type="checkbox"/> <b>DL</b> vs Diffused Lens <input type="checkbox"/> <b>CL</b> vs Clear Lens <input type="checkbox"/> <b>PL</b> vs Prismatic Lens <input type="checkbox"/> <b>TRG</b> Trim Ring Gasket (Factory Installed) <input type="checkbox"/> <b>WT</b> Painted White Self Finish	<input type="checkbox"/> <b>B24</b> Set of two (2) 24" bar hangers for T-bar ceilings <input type="checkbox"/> <b>B6</b> Set of two (2) bar hangers for ceiling joists up to 24" centers <input type="checkbox"/> <b>FSDFI</b> Fuse kit for field installation <input type="checkbox"/> <b>SCA8D</b> Sloped ceiling adapter (see note on back page) <hr/> <b>LAMP ACCESSORIES</b> <input type="checkbox"/> <b>LP</b> -wattage= 26 -type=Q4 (Quad 4-pin) -temp= 27K, 30K, 35K, 41K (Kelvin) *Example: LP26Q441K

<sup>1</sup>Remote mount test switch and indicator light for use with lensed trim only.  
<sup>2</sup>Available for Osram Sylvania Quick 60+® Limited Warranty when used with Osram lamp(s). See www.prescolite.com for details.  
<sup>3</sup>Dimming option not available for 347V.  
<sup>4</sup>Not available for 347V  
<sup>5</sup>Not available with CP option



In a continuing effort to offer the best product possible we reserve the right to change, without notice, specifications or materials that in our opinion will not alter the function of the product.  
 Web: [www.prescolite.com](http://www.prescolite.com) • Tech Support: (888) 777-4832

**ARCH-CFL-061**

# PHOTOMETRIC DATA

## Architektür - 8" Vertical Quad Tube Regressed High Impact Lens Downlights - CFQ Series

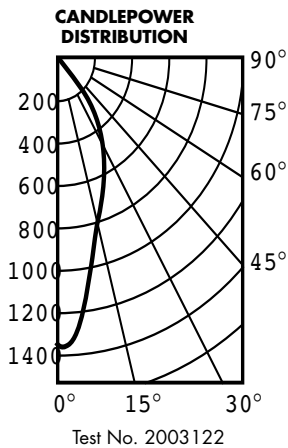
BALLAST DATA	26W Quad		
	120V	277V	347V
Total System Watts	20W	29W	31W
Input Current (Amps)	0.17	0.11	0.09
Input Frequency in Hz	50/60	50/60	50/60
Power Factor	>97%	>97%	>97%
Ballast Factor	>98%	>98%	1
Total Harmonic Distortion	<10%	<10%	<10%
Min. Starting Temp.	-18°C (0°F)	-18°C (0°F)	-18°C (0°F)

LAMP DATA	
Rated Watts	26W Quad
Rated Lumens	1800
Efficacy (LPW)	69
Rated Life	10,000 hours
CRI	82
Min. Starting Temp.	0° F

LUMINANCE DATA IN CANDELA/SQ. METER	
Angle in Vertical	Average
45°	5021
55°	1698
65°	211
75°	71
85°	35

### CFQ826EB-STF802CL Clear Alzak Reflector w/clear lens

Lamp: One 26W Quad  
 Rated lumens: 1800  
 Spacing Criteria: 0.7  
 Efficiency = 54.5%



CANDLEPOWER SUMMARY	
Angle	Mean CP
0	736
5	725
10	631
15	515
20	436
25	416
30	378
35	312
40	222
45	115
50	41
55	32
60	13
65	3
70	1
75	1
80	0
85	0
90	0

### AVERAGE INITIAL FOOTCANDLES

- Assumptions:
- Multiple units (square array)
  - Ceiling 80%; Wall 50%; Floor 20%
  - Four fixtures evenly spaced in the center of the room
  - The room is square and has a width and length equal to twice the lamp spacing
  - The lumen depreciation factor is 0.8
  - The dirt depreciation factor is 0.98

26W Quads				
SPACING	RCR1	RCR3	RCR7	
7.0	12	11	8	
8.0	9	8	6	
9.0	7	6	5	
10.0	6	5	4	
11.0	5	4	3	
12.0	4	4	3	
13.0	4	3	2	
14.0	3	3	2	
15.0	3	2	2	

### COEFFICIENTS OF UTILIZATION Zonal Cavity Method

Room Cavity Ratio	% Effective Floor Cavity Reflectance												0				
	80%			70%			50%			30%				10%			0%
	70	50	30	70	50	30	70	50	30	70	50	30		70	50	30	0
0	.47	.47	.47	.46	.46	.46	.44	.44	.44	.42	.42	.42	.40	.40	.40	.39	
1	.44	.43	.42	.41	.43	.42	.41	.41	.41	.40	.39	.39	.38	.38	.37	.37	
2	.42	.40	.38	.37	.41	.39	.38	.36	.38	.37	.35	.37	.36	.35	.36	.35	
3	.39	.37	.35	.33	.39	.36	.34	.33	.35	.33	.32	.34	.33	.32	.33	.32	
4	.37	.34	.31	.30	.36	.33	.31	.29	.33	.31	.29	.32	.30	.29	.31	.30	
5	.35	.31	.29	.27	.34	.31	.29	.27	.30	.28	.27	.30	.28	.26	.29	.27	
6	.33	.29	.27	.25	.32	.29	.26	.25	.28	.26	.24	.28	.26	.24	.27	.25	
7	.31	.27	.25	.23	.31	.27	.24	.23	.26	.24	.23	.26	.24	.22	.25	.24	
8	.29	.25	.23	.21	.29	.25	.23	.21	.25	.22	.21	.24	.22	.21	.24	.22	
9	.28	.24	.21	.19	.27	.23	.21	.19	.23	.21	.19	.23	.21	.19	.22	.21	
10	.26	.22	.20	.18	.26	.22	.20	.18	.22	.20	.18	.21	.19	.18	.21	.19	

CFQ826EB-STF802CL

Test No. 2003122

### NOTES

- ⊙ vs Denotes a Virtual Source Reflector.
- Refer to [www.prescolite.com](http://www.prescolite.com) for additional photometric tests (IES Files).
- When ordering a sloped ceiling adapter, specify the degree of slope in 5° increments, max. of 35°. For a more precise degree or wet ceiling applications, please contact factory. Sloped ceiling adapter and housing must be installed at the same time.

