



# 8" Horizontal Regressed Lens High Impact Downlight **CFR8126UEB**

One 26W Quad Tube 4-Pin Lamp  
Non-IC Rated  
120V, 208V, 240V, 277V, or 347V

DATE: \_\_\_\_\_ TYPE: \_\_\_\_\_

FIRM NAME: \_\_\_\_\_

PROJECT: \_\_\_\_\_

**Architektür**

Ceiling Cutout: 8<sup>1</sup>/<sub>4</sub>"

Maximum Ceiling Thickness: 1<sup>1</sup>/<sub>4</sub>"

For conversion to millimeters,  
multiply inches by 25.4

Not to Scale

Horizontal EMR Dimension 17-1/2"

Featuring VirtualSource vs Reflectors

**APPLICATIONS:**

The CFR8126UEB offers a horizontally lamped compact fluorescent downlight fixture that provides superior brightness and glare control. This luminaire is ideal for a wide variety of medium to high ceiling applications including commercial, retail, and hospitality. The CFR8126UEB is compatible with the Signos8 family of architectural elements.

**HOUSING:**

One-piece galvanneal 18-gauge cold rolled steel platform. Prewired J-box with snap-on cover for easy access. Vented at lamp tip and socket for maximum light output. Same housing accommodates downlight and wall wash downlight reflectors.

**REFLECTOR:**

High purity aluminum Alzak Virtual Source® iridescence suppressed reflector. Self-trim standard. Painted white self-trim available. Baffled units standard with painted white self trim.

**BALLAST:**

One (1) 26W compact fluorescent Class 'P' electronic multi-volt (120V through 277V) ballast. HPF and EOL protection standard. Accessible from below ceiling. 347V available.

**LAMP:**

One (1) 26W quad tube with G24q-3 base. Lamp furnished by others or as option below.

**SOCKET:**

One (1) injection molded socket (vented).

**INSTALLATION:**

Universal adjustable mounting brackets accommodate 1<sup>1</sup>/<sub>2</sub>" or 3<sup>3</sup>/<sub>4</sub>" lathing channel (by others) or Prescolite 24" bar hangers (B24 or B6).

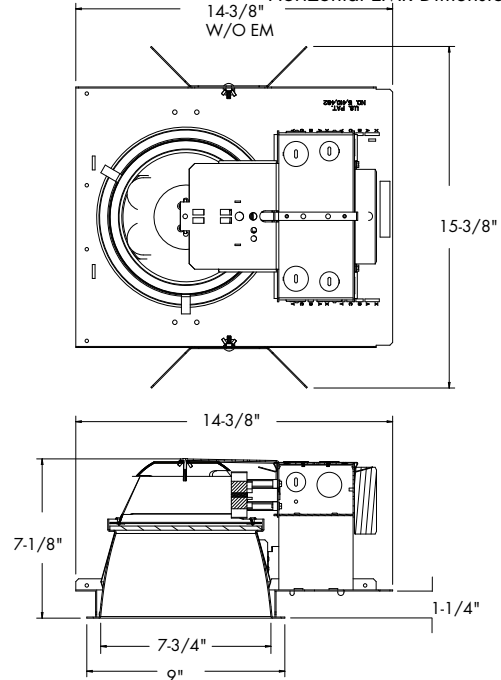
**LABELS:**

UL listed or UL/CSA listed with CDN option for wet locations. Approved for through wiring.

Non-type I.C. and NYC approved

**LAMP INCLUDED OPTION:**

Specify lamp type Q4 (Quad 4-pin) and temperature as shown below.



CATALOG NUMBER:

EXAMPLE: CFR8126UEBDMEMR ST492A LP26Q430K B6

HOUSING	HOUSING OPTIONS	HOUSING OPTIONS	REFLECTOR	REFLECTOR COLOR	REFLECTOR OPTIONS	ACCESSORIES
<input type="checkbox"/> <b>CFR8126UEB</b> 8", (1) 26W Quad tube, multi-volt electronic ballast	<input type="checkbox"/> <b>CDN</b> Canadian electrical code compliant ballast disconnect <input type="checkbox"/> <b>CDN 347V<sup>3</sup></b> Canadian electrical code compliant ballast disconnect <input type="checkbox"/> <b>CP†</b> Chicago Plenum. Fixture construction and/or specifications may vary. <input type="checkbox"/> <b>DM*</b> Electronic Analog Dimming Ballast to 3%, 4-wire, 0-10V (120-277V) <input type="checkbox"/> <b>ECDM</b> Lutron EcoSystem or 3-wire line voltage dimming ballast (120-277V). Dims to 5%. <input type="checkbox"/> <b>7DM</b> Advance Mark 7 Dimming Ballast to 5%, 4-wire, 0-10V, analog (120-277V) (specify voltage/wattage)	<input type="checkbox"/> <b>XDM</b> Advance Mark 10 Dimming Ballast to 5%, 2-wire line voltage (specify supply voltage/wattage) <input type="checkbox"/> <b>EMR<sup>1</sup></b> Emergency battery pack with remote test switch and indicator light (required for lensed reflectors) <input type="checkbox"/> <b>FSDFA</b> Fuse kit installed at factory <input type="checkbox"/> <b>RIF1</b> Radio interference filter (single circuit) <input type="checkbox"/> <b>SYL<sup>2</sup></b> Osram Sylvania Ballast (available only for standard EB option) <input type="checkbox"/> <b>SMT</b> Philips Advance SmartMate® ballast	<input type="checkbox"/> <b>ST492A1</b> vs 8" Clear Alzak, clear lens  <b>REFLECTOR FINISH</b> <input type="checkbox"/> <b>Blank</b> Specular <input type="checkbox"/> <b>SS</b> Semi-Specular <input type="checkbox"/> <b>MFC</b> American Matte™	<input type="checkbox"/> <b>Blank</b> Clear Alzak <input type="checkbox"/> <b>CG</b> Champagne Gold Alzak <input type="checkbox"/> <b>PW</b> Pewter Alzak <input type="checkbox"/> <b>BL</b> Black Alzak <input type="checkbox"/> <b>WE</b> Wheat Alzak <input type="checkbox"/> <b>LW</b> Light Wheat Alzak	<input type="checkbox"/> <b>WT</b> Painted White Self Flange <input type="checkbox"/> <b>DL</b> vs Diffused Lens <input type="checkbox"/> <b>CL</b> vs Clear Lens <input type="checkbox"/> <b>PL</b> vs Prismatic Lens <input type="checkbox"/> <b>TRG</b> Trim Ring Gasket (Factory Installed)  <b>Painted Options*</b> <input type="checkbox"/> <b>WC</b> -White Cone <input type="checkbox"/> <b>BC</b> -Black Cone *All painted options come standard with an upper specular clear Alzak reflector	<input type="checkbox"/> <b>B24</b> Set of two (2) 24" bar hangers for T-bar ceilings <input type="checkbox"/> <b>B6</b> Set of two (2) bar hangers for ceiling joists up to 24" centers <input type="checkbox"/> <b>FSDFI</b> Fuse kit for field installation <input type="checkbox"/> <b>SCA8D</b> Sloped ceiling adapter (see note on back page)
						<b>LAMP ACCESSORIES</b> <input type="checkbox"/> <b>LP</b> Lamp Included -wattage= 26 -type= Q4 (Quad 4-pin) -temp= 27K, 30K, 35K, 41K (Kelvin) *Example: LP26Q430K

\* Contact factory for wall control system compatibility

† Refer to Chicago Plenum specification sheets on [www.prescolite.com](http://www.prescolite.com) for details.

<sup>1</sup> Remote mount test switch and indicator light for use with lensed trim

<sup>2</sup> Available for Osram Sylvania Quick 60+® Limited Warranty when used with Osram lamp(s). See [www.prescolite.com](http://www.prescolite.com) for details.

<sup>3</sup> Dimming option not available in 347V.



In a continuing effort to offer the best product possible we reserve the right to change, without notice, specifications or materials that in our opinion will not alter the function of the product.  
Web: [www.prescolite.com](http://www.prescolite.com) • Tech Support: (888) 777-4832

**ARCH-CFL-065**

# PHOTOMETRIC DATA

# Architektūr - 8" Horizontal Regressed High Impact Downlights - CFR8126UEB

## BALLAST DATA

26W Quad

	120V	277V	347V
Total System Watts	20W	29W	31W
Input Current (Amps)	0.17	0.11	0.09
Input Frequency	50Hz or 60Hz	50Hz or 60Hz	50Hz or 60Hz
Power Factor	>97%	>97%	>97%
Ballast Factor	>98%	>98%	1
Total Harmonic Distortion	<10%	<10%	<10%
Minimum Starting Temp.	-18° C (0° F)	-18° C (0° F)	-18° C (0° F)

## LAMP DATA

Rated Watts	26W Quad
Rated Lumens	1800
Efficacy (LPW)	69
Rated Life	10,000 hours
CRI	82
Min. Starting Temp.	0° F

## LUMINANCE DATA IN CANDELA/SQ. METER

Angle in Vertical	Average 0°	Average 90°	Average 180°
45°	5853	6585	6082
55°	2537	2537	2762
65°	230	230	230
75°	125	125	125
85°	0	0	0

## AVERAGE INITIAL FOOTCANDLES

Assumptions:

1. Ceiling 80% Wall 50% Floor 20%
2. 4 Luminaires evenly spaced in the center of the room
3. The room is square and has a width and length equal to twice the luminaire spacing (LS).
4. RCR is Room Cavity Ratio
5. Dirt and Lumen Depreciation Factors are 1.0.
6. Ballast Factor is 1.0 for ballasted fixtures.

LS (FEET) (FOOTCANDLES)

	RCR1	RCR3	RCR7
7.0	18	15	11
8.0	14	12	9
9.0	11	9	7
10.0	9	8	5
11.0	7	6	5
12.0	6	5	4
13.0	5	4	3
14.0	5	4	3
15.0	4	3	2

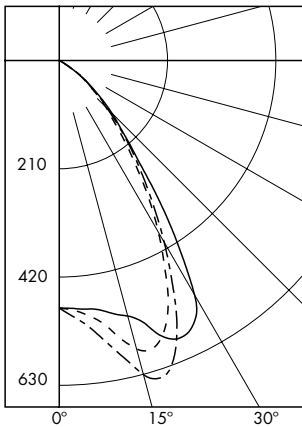
## CFR8126UEB-ST492A1CL Clear Alzak Reflector w/clear lens

Lamp: One CF26DD/E/835 SYLVANIA

Rated lumens: 1710

Spacing Criteria: 1.2

Efficiency: 48.0%



## CANDLEPOWER SUMMARY

Angle	0°	90°	180°
0	480	480	480
5	491	484	509
10	522	493	560
15	579	513	631
20	575	566	633
25	499	585	537
30	385	525	407
35	275	351	294
40	186	214	206
45	128	144	133
50	76	88	81
55	45	45	49
60	11	11	11
65	3	3	3
70	1	2	1
75	1	1	1
80	0	0	0
85	0	0	0
90	0	0	0

Test No. ITL62344

## COEFFICIENTS OF UTILIZATION Zonal Cavity Method

Room Cavity Ratio	% Effective Ceiling Cavity Reflectance													
	80%		70%		50%		30%		10%					
	20% Effective Floor Cavity Reflectance													
% Wall Reflectance														
	70	50	30	10	70	50	30	10	50	30	10	50	30	10
1	.54	.53	.51	.50	.53	.52	.50	.49	.50	.49	.48	.48	.47	.46
2	.51	.48	.46	.44	.50	.48	.46	.44	.46	.44	.43	.45	.43	.42
3	.48	.44	.42	.40	.47	.44	.41	.39	.42	.40	.39	.41	.39	.38
4	.45	.41	.38	.36	.44	.40	.37	.35	.39	.37	.35	.38	.36	.34
5	.42	.38	.34	.32	.41	.37	.34	.32	.36	.34	.32	.35	.33	.31
6	.40	.35	.32	.29	.39	.34	.31	.29	.34	.31	.29	.33	.31	.29
7	.37	.32	.29	.27	.37	.32	.29	.27	.31	.28	.26	.31	.28	.26
8	.35	.30	.27	.24	.35	.30	.27	.24	.29	.26	.24	.29	.26	.24
8	.33	.28	.25	.23	.33	.28	.25	.22	.27	.24	.22	.27	.24	.22
10	.31	.26	.23	.21	.31	.26	.23	.21	.25	.23	.21	.25	.22	.21

CFR8126UEB-ST492A1CL

Test No. ITL62344

## NOTES

⊙vs Denotes a Virtual Source reflector.

Refer to [www.prescolite.com](http://www.prescolite.com) for additional photometric tests (IES Files).

When ordering a sloped ceiling adapter, specify the degree of slope in 5° increments, max. of 35°. For a more precise degree or wet ceiling applications, please contact factory. Sloped ceiling adapter and housing must be installed at the same time.



Web: [www.prescolite.com](http://www.prescolite.com) • Tech Support: (888) 777-4832  
 701 Millennium Blvd., • Greenville, SC 29607 U.S.A. • Phone (864) 678-1000  
 Copyright ©2015 Prescolite, Inc., a division of Hubbell Lighting, Inc. All Rights Reserved  
 Specifications subject to change without notice. • Printed in U.S.A. • ARCH-CFL065 • 4/16/15



**HUBBELL**  
Lighting, Inc.