



8" Regressed Lensed Vertical One Lamp MH Downlight **RHD802**

One 50W, 70W, 100W,
150W ED17
Medium Base MH Lamp
120V, 277V, 347V, or Multi Voltage
120-277V

Featuring **VirtualSource** Reflectors

APPLICATIONS:

The Architektür RHD802 Series offers a regressed lens metal halide downlight that provides superior brightness and glare control. Available in five different wattages, this luminaire is ideal for a wide variety of high ceiling applications including commercial, retail, hospitality and atrium areas. The RHD802 is compatible with the Signos® 8 family of architectural elements.

HOUSING:

One-piece 18 gauge galvaneal steel plaster flange. Diecast aluminum heat sink. Prewired J-box. Thermal protector. Requires a lens.

REFLECTOR:

High purity aluminum Alzak reflector. Self-trim standard. Painted white self-trim available. Integral retention springs. Regressed tempered glass lens.

LENS:

All glass lenses are standard tempered and designed to withstand high temperatures and high impact associated with commercial lensed downlight applications.

BALLAST:

Electronic ballast included with housing. Accessible from below ceiling. See reverse side for ballast data.

LAMP:

One (1) 50W, 70W, 100W, 150W, or 175W MH ED17 coated metal halide lamp. Lamp furnished by others.

SOCKET:

One medium base porcelain socket with nickel plated screw shell.

INSTALLATION:

Universal mounting brackets accept 1/2" EMT conduit or 1 1/2" lathing channels (by others), or Prescolite 24" bar hangers (B24 or B6).

LABELS:

UL, CSA listed for wet locations
Approved for through wiring
Thermally protected
Non-IC rated

EISA compliant (150W)

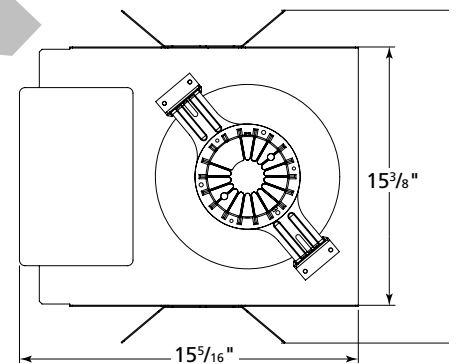
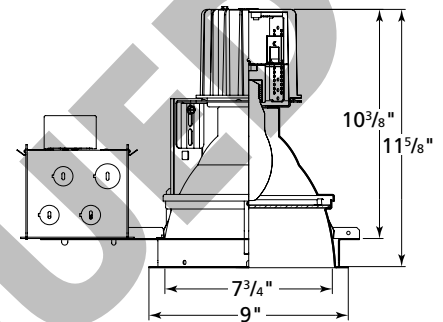
DATE: _____ TYPE: _____

FIRM NAME: _____

PROJECT: _____

Architektür

Ceiling Cutout: 8 1/4"
Maximum Ceiling Thickness: 1 1/4"
For conversion to millimeters,
multiply inches by 25.4
Not to Scale



CATALOG NUMBER:

EXAMPLE: RHD80250EB120V STH802DL B24

Order housing, reflector, and accessories separately

| HOUSING | | VOLTAGE (EB) | HOUSING OPTIONS | REFLECTOR | REFLECTOR COLOR | REFLECTOR OPTIONS | ACCESSORIES |
|-------------------------------------|--|---|--|---|---|---|---|
| <input type="checkbox"/> | RHD80250EB¹ 8", (1) 50W ED17 MH enclosed fixture electronic ballast | <input type="checkbox"/> 120V <input type="checkbox"/> 277V <input type="checkbox"/> 347V <input type="checkbox"/> 120-277V Multi Voltage | <input type="checkbox"/> DCB Auxiliary socket (Contact technical support) <input type="checkbox"/> FSDFA Fuse kit installed at factory <input type="checkbox"/> QR Quartz restrike (Contact technical support) | <input type="checkbox"/> STH802 Specular clear Alzak or painted option | <input type="checkbox"/> BLANK Clear Alzak <input type="checkbox"/> CG Champagne Gold Alzak <input type="checkbox"/> PW Pewter Alzak <input type="checkbox"/> BL Black Alzak <input type="checkbox"/> WE Wheat Alzak <input type="checkbox"/> LW Light Wheat Alzak <input type="checkbox"/> WC^{2,4} Painted White Cone <input type="checkbox"/> BC^{2,4} Painted Black Cone | <input type="checkbox"/> DCB³ Auxiliary socket (Contact technical support) <input type="checkbox"/> DL⁴ Diffused Lens <input type="checkbox"/> CL⁴ Clear Lens <input type="checkbox"/> PL⁴ Prismatic Lens <input type="checkbox"/> FL⁴ Fresnel Lens <input type="checkbox"/> QR³ Quartz restrike (Contact technical support) <input type="checkbox"/> TRG Trim ring gasket (factory installed) <input type="checkbox"/> WT Painted white self-flange | <input type="checkbox"/> B24 Set of two (2) 24" bar hangers for T-bar ceilings <input type="checkbox"/> B6 Set of two (2) bar hangers for ceiling joists up to 24" centers <input type="checkbox"/> FSDFI Fuse kit for field installation <input type="checkbox"/> SCA8 Sloped ceiling adapter (see note on back page) <input type="checkbox"/> Signos8 (Contact technical support) |
| <input type="checkbox"/> | RHD80270EB 8", (1) 70W ED17 MH enclosed fixture electronic ballast | | | REFLECTOR FINISH <input type="checkbox"/> Blank Specular <input type="checkbox"/> SS Semi-Specular <input type="checkbox"/> MFC American Matte™ | | | |
| <input type="checkbox"/> | RHD802100EB 8", (1) 100W ED17 MH enclosed fixture electronic ballast | | | | | | |
| <input checked="" type="checkbox"/> | RHD802150EB^{1,5} 8", (1) 150W ED17 MH enclosed fixture electronic ballast | | | | | | |

EISA Compliant

¹Multi Voltage not available

²All painted options come standard with an upper specular clear Alzak reflector.

³8" Regressed lens QR/DCB is limited to 100W max. T4 double contact bayonet base quartz lamp.

⁴All painted cones and regressed lensed options come standard with upper portion of reflector as Specular clear Alzak

⁵150 watt not available in 347V

PHOTOMETRIC DATA

Architektur - 8" Regressed Lensed Vertical MH Downlight - RHD802

BALLAST DATA

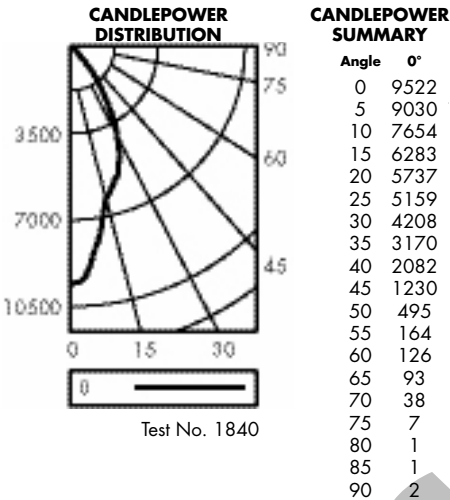
| | 50W | | 70W | | 100W | | 150W | |
|-----------------------------|---------|---------|---------|---------|---------|---------|---------|---------|
| | 120V | 277V | 120V | 277V | 120V | 277V | 120V | 277V |
| Power Factor | >90% | >90% | >90% | >90% | >90% | >90% | >90% | >90% |
| Regulation: | ±10% | ±10% | ±10% | ±10% | ±10% | ±10% | ±10% | ±10% |
| Line Voltage | ±.5% | ±.5% | ±.5% | ±.5% | ±.5% | ±.5% | ±.5% | ±.5% |
| Output Wattage | ±.5% | ±.5% | ±.5% | ±.5% | ±.5% | ±.5% | ±.5% | ±.5% |
| Min. Ambient Starting Temp. | -20°C | -20°C | -20°C | -20°C | -20°C | -20°C | -20°C | -20°C |
| Input Watts | 56W | 55W | 84W | 80W | 115W | 113W | 165W | 161W |
| Input Amps | .47 amp | .20 amp | .68 amp | .30 amp | .93 amp | .40 amp | 1.4 amp | .60 amp |
| Sound Rating | A | A | A | A | A | A | A | A |

LAMP DATA

| | ED17 | | | |
|----------------|--------|--------|--------|--------|
| | 50W | 70W | 100W | 150W |
| Rated Watts | 50W | 70W | 100W | 150W |
| Rated Lumens | 3,400 | 5,700 | 8,500 | 13,500 |
| Efficacy (LPW) | 68 | 81 | 85 | 90 |
| Rated Life | 10,000 | 12,000 | 15,000 | 15,000 |
| CRI | 70 | 70 | 70 | 70 |

RHD802150EB STH802CL - Specular Clear Reflector

Lamp: 150W/ED17 MP150/C/U/MED-SYLVANIA Coated
 Lumen rating: 11600 Lumens
 Spacing Criteria: 0.7
 Efficiency: 70.5%



LUMINANCE DATA IN CANDELA/SQ. METER

| Angle in Vertical | Average Luminance |
|-------------------|-------------------|
| 45° | 57135 |
| 55° | 9391 |
| 65° | 7228 |
| 75° | 888 |
| 85° | 377 |

COEFFICIENTS OF UTILIZATION

| Room Cavity Ratio | % Effective Ceiling Cavity Reflectance | | | | | | | | | | | | | | | | |
|-------------------|--|-----|-----|-----|-----|-----|-----|-----|-----|-----|-----|-----|-----|-----|-----|-----|-----|
| | 80% | | | 70% | | | 50% | | | 30% | | | 10% | | | | |
| | 70 | 50 | 30 | 70 | 50 | 30 | 70 | 50 | 30 | 70 | 50 | 30 | 70 | 50 | 30 | | |
| 1 | .80 | .78 | .76 | .74 | .78 | .76 | .74 | .73 | .73 | .72 | .71 | .70 | .69 | .68 | .68 | .67 | .66 |
| 2 | .75 | .72 | .69 | .66 | .74 | .70 | .68 | .65 | .68 | .66 | .64 | .66 | .64 | .62 | .64 | .62 | .61 |
| 3 | .71 | .66 | .62 | .59 | .70 | .65 | .62 | .59 | .63 | .60 | .58 | .62 | .59 | .57 | .60 | .58 | .56 |
| 4 | .67 | .61 | .57 | .54 | .66 | .61 | .57 | .54 | .59 | .56 | .53 | .58 | .55 | .52 | .56 | .54 | .52 |
| 5 | .63 | .57 | .53 | .49 | .62 | .56 | .52 | .49 | .55 | .51 | .49 | .54 | .51 | .48 | .53 | .50 | .48 |
| 6 | .60 | .53 | .49 | .45 | .59 | .53 | .48 | .45 | .51 | .48 | .45 | .50 | .47 | .45 | .49 | .47 | .44 |
| 7 | .57 | .50 | .45 | .42 | .56 | .49 | .45 | .42 | .48 | .44 | .42 | .47 | .44 | .41 | .46 | .43 | .41 |
| 8 | .54 | .46 | .42 | .39 | .53 | .46 | .42 | .39 | .45 | .41 | .39 | .44 | .41 | .38 | .44 | .41 | .38 |
| 9 | .51 | .44 | .39 | .36 | .50 | .43 | .39 | .36 | .43 | .39 | .36 | .42 | .38 | .36 | .41 | .38 | .36 |
| 10 | .48 | .41 | .37 | .34 | .48 | .41 | .37 | .34 | .40 | .36 | .34 | .40 | .36 | .34 | .39 | .36 | .33 |

RHD802150EB-STH802CL

Test No. 1840

AVERAGE INITIAL FOOTCANDLES

Multiple Units (Square Array)
 Ceiling 80% Wall 50% Floor 20%

Assumptions:

- Multiple Units (Square Array)
- Ceiling 80% Wall 50% Floor 20%
- 4 Fixtures evenly spaced in the center of the room.
- The room is square and has a width and length equal to twice the lamp spacing.
- The lumen depreciation factor is 0.8.
- The dirt depreciation factor is 0.98.

| SPACING | RCR1 | RCR3 | RCR7 |
|---------|------|------|------|
| 7.0 | 144 | 122 | 92 |
| 8.0 | 110 | 93 | 71 |
| 9.0 | 87 | 74 | 56 |
| 10.0 | 71 | 60 | 45 |
| 11.0 | 58 | 49 | 37 |
| 12.0 | 49 | 41 | 31 |
| 13.0 | 42 | 35 | 27 |
| 14.0 | 36 | 30 | 23 |
| 15.0 | 31 | 27 | 20 |

NOTES

☼ Denotes a Virtual Source reflector.

The DCB option uses a quartz T-4 lamp to provide emergency light during power outages. The DCB socket must be field wired into an auxiliary emergency power supply circuit for emergency use.

The QR option uses a quartz T-4 lamp to provide light continuously during cold start or hot restrike until the HID lamp is at approximately 25-50% or more of its rated light output.

When ordering a sloped ceiling adapter, specify the degree of slope in 5° increments (max of 35°). For a more precise degree or wet ceiling application, please contact factory. The SCA must be installed during housing installation.

