

Featuring  VirtualSource  Reflectors

6" Recessed A-Line Vertical Downlight **INC600**

One 150W A21 Lamp
120V or 277V

DATE: _____ TYPE: _____

FIRM NAME: _____

PROJECT: _____



Ceiling Cutout: 6 1/4"
Maximum Ceiling Thickness: 1 1/4"
For conversion to millimeters,
multiply inches by 25.4
Not to Scale

APPLICATIONS:

The Architektur INC600 provides a 6" specification grade downlight and wall wash luminaire for a wide variety of applications including commercial, retail, and hospitality.

HOUSING:

One piece painted, cold rolled steel platform with friction retaining springs to secure optical system. Maximum 1 1/4" ceiling thickness. Prewired J-Box with snap-on cover for easy below ceiling access. Diecast aluminum heat sink.

REFLECTOR:

High purity aluminum Alzak reflector featuring Virtual Source® optical design for optimum efficiency and superior brightness control. Self-trim standard.

LAMP:

One (1) 150W A21 lamp. Lamp furnished by others.

SOCKET:

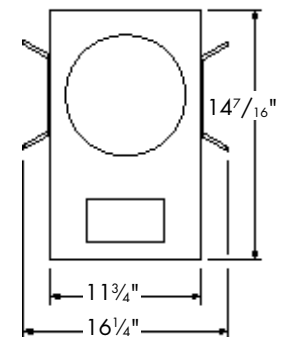
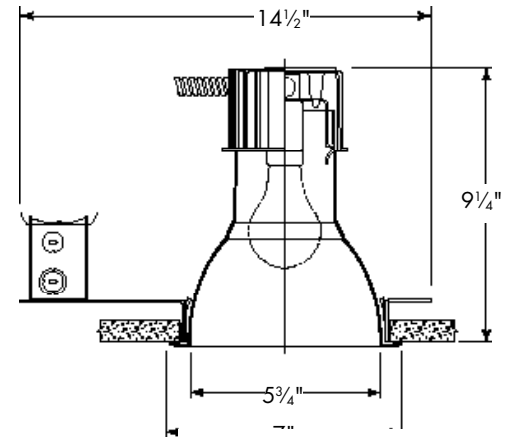
One (1) medium base porcelain socket with nickel plated screw shell. Socket adjusts to two positions to maintain proper lamp position when using A21 lamps.

INSTALLATION:

Universal mounting brackets accept 1/2" EMT conduit or 1 1/2" lathing channels (by others), or Prescolite 24" bar hangers (B24 or B6).


LABELS:

UL, CSA listed for damp locations
Approved for through wiring
Thermally protected
Non-IC rated and N.Y. City approved



CATALOG NUMBER:

EXAMPLE: INC600-STI602-B24

HOUSING	HOUSING OPTION	REFLECTOR	REFLECTOR FINISH	REFLECTOR COLORS	REFLECTOR OPTIONS	ACCESSORIES
<input type="checkbox"/> INC600 6", (1) 150W A21	<input type="checkbox"/> CP Chicago Plenum. (120V only) CP fixture height is 10 13/16" <input type="checkbox"/> 277V J-Box mounted step- down transformer <input type="checkbox"/> MW75A21 Max Wattage label, 75W <input type="checkbox"/> MW100A21 Max Wattage label, 100W	<input type="checkbox"/> STI602  Alzak reflector or painted	<input type="checkbox"/> Blank Specular <input type="checkbox"/> SS Semi-Specular <input type="checkbox"/> MFC American Matte	<input type="checkbox"/> Blank Clear Alzak <input type="checkbox"/> CG Champagne Gold Alzak <input type="checkbox"/> BL Black Alzak <input type="checkbox"/> WE Wheat Alzak <input type="checkbox"/> LW Light Wheat Alzak <input type="checkbox"/> PW Pewter Alzak <input type="checkbox"/> BC Painted black cone <input type="checkbox"/> WC Painted white cone	<input type="checkbox"/> WT Painted white self-flange <input type="checkbox"/> BB Painted black baffle <input type="checkbox"/> WB Painted white baffle <input type="checkbox"/> WW Wall wash reflector	<input type="checkbox"/> B24 Set of two (2) 24" bar hangers for T-bar ceilings <input type="checkbox"/> B6 Set of two (2) bar hangers for ceiling joists up to 24" centers <input type="checkbox"/> SCA6D Sloped ceiling adapter (see note on back page) <input type="checkbox"/> Signos 6 Architectural glass elements. Refer to specification sheets ARCH-SIG-001-004

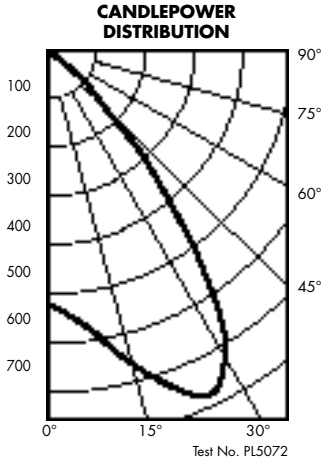
¹All painted options come standard with an upper specular clear Alzak reflector

PHOTOMETRIC DATA

Architektūr - 6" Recessed A-Line Downlight - INC600

INC600-STI602 Specular Clear Alzak Reflector

Lamp: One 100W A21 Inside Frosted, 1710 Lumens
 Spacing Criteria: 1.3
 Efficiency: 64.6%



CANDLEPOWER SUMMARY		
Angle	Mean CP	Lumens
0	519	
5	550	53
15	664	188
25	778	350
35	574	352
45	194	153
55	1	10
65	0	0
75	0	0
85	0	0

AVERAGE INITIAL FOOTCANDLES

Multiple Units (Square Array)
 Ceiling 80% Wall 50% Floor 20%

100W A21			
SPACING	RCR1	RCR3	RCR7
8.0	18	15	11
9.0	14	12	9
10.0	12	10	7
11.0	10	8	6
12.0	8	7	5

COEFFICIENTS OF UTILIZATION Zonal Cavity Method

Room Cavity Ratio	% Effective Floor Cavity Reflectance																			
	80%				70%				50%				30%				10%			
	20% Effective Floor Cavity Reflectance																			
	% Wall Reflectance																			
	70	50	30	10	70	50	30	10	50	30	10	50	30	10	50	30	10			
1	73	72	70	69	72	70	69	68	68	67	66	65	64	64	63	62	62			
2	70	67	65	62	69	66	64	62	64	62	60	62	60	59	60	59	58			
3	66	62	59	57	65	62	59	57	60	58	56	58	56	55	57	55	54			
4	63	58	55	52	62	58	55	52	56	54	51	55	53	51	54	52	50			
5	60	54	51	48	59	54	50	48	53	50	47	52	49	47	51	48	46			
6	57	51	47	44	56	50	47	44	49	46	44	48	46	43	48	45	43			
7	53	47	43	40	52	47	43	40	46	42	40	45	42	40	44	42	40			
8	50	44	40	37	49	43	39	37	42	39	37	42	39	36	41	38	36			
9	47	40	36	33	46	40	36	33	39	36	33	39	35	33	38	35	33			
10	44	37	33	30	43	37	33	30	36	33	30	36	32	30	35	32	30			

INC600-STI602 100W A21 I.F.

Test No. PLS072

NOTES

⊙^{vs} Denotes a Virtual Source reflector.

When ordering a sloped ceiling adapter, specify the degree of slope in 1° increments, max. of 35°. For a more precise degree or wet ceiling applications, please contact factory. The SCA must be installed at the time of housing installation.

Refer to www.prescolite.com for additional photometric tests (IES Files).