



6" PAR Recessed Parabolic Downlight **79X**

One 75W PAR30L/75W-150W
PAR38 Lamp
120V or 277V

DATE: _____ TYPE: _____

FIRM NAME: _____

PROJECT: _____

Architektür

Ceiling Cutout: 6¹/₈"
Maximum Ceiling Thickness: 2¹/₄"
For conversion to millimeters,
multiply inches by 25.4
Not to Scale

APPLICATIONS:

The Architektür 79X provides a 6" specification grade parabolic luminaire for a wide variety of applications including commercial, retail, and hospitality.

HOUSING:

Prewired 20 gauge cold rolled steel recessed housing with friction retaining clips to secure optical system. Prewired J-Box with snap-on cover for easy below ceiling access. Thermal protector.

REFLECTOR:

High purity aluminum Alzak reflector. 45° visual cutoff to lamp and lamp image. Self-trim standard. Optional painted white self-trim available.

LAMP:

One (1) 75W PAR30L or 75W-150W PAR38 lamp. Lamp furnished by others.

SOCKET:

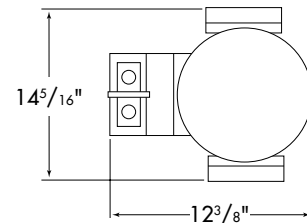
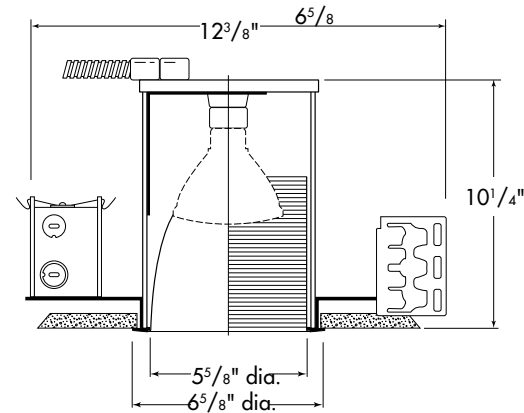
One (1) medium base porcelain socket with nickel plated screw shell.

INSTALLATION:

Universal mounting brackets accept 1/2" EMT conduit or 1 1/2" lathing channels (by others), or Prescolite® 24" bar hangers (B24 or B6). Standard with B6 bar hangers.

LABELS:

UL, CSA Listed for damp locations
Approved for through wiring
Thermally protected
Non-IC rated and N.Y. City approved



CATALOG NUMBER:

EXAMPLE: 79X-ST832-B6

Order housing, reflector, and accessories separately

HOUSING	HOUSING OPTIONS	REFLECTOR	REFLECTOR FINISH	REFLECTOR COLOR	ACCESSORIES
<input type="checkbox"/> 79X 6", (1) 75W PAR30L or 150W PAR38	<input type="checkbox"/> CP Chicago Plenum. (120V only) CP fixture height is 11 1/8" <input type="checkbox"/> 277V J-Box mounted step-down transformer <input type="checkbox"/> MW50PAR30 Max Wattage label, 50W <input type="checkbox"/> MW60PAR38 Max Wattage label, 60W <input type="checkbox"/> MW90PAR38 Max Wattage label, 90W <input type="checkbox"/> MW120PAR38 Max Wattage label, 120W	<input type="checkbox"/> ST832¹ Alzak parabolic reflector	<input type="checkbox"/> Blank Specular <input type="checkbox"/> SS Semi-Specular	<input type="checkbox"/> Blank Clear Alzak <input type="checkbox"/> CG Champagne Gold Alzak <input type="checkbox"/> BL Black Alzak <input type="checkbox"/> WE Wheat Alzak <input type="checkbox"/> LW Light Wheat Alzak <input type="checkbox"/> PW Pewter Alzak	<input type="checkbox"/> B24 Set of two (2) 24" bar hangers for T-bar ceilings <input type="checkbox"/> B6 Set of two (2) bar hangers for ceiling joists up to 24" centers <input type="checkbox"/> SCA6D Sloped ceiling adapter (see note on back page)
REFLECTOR OPTIONS					
<input type="checkbox"/> WT Painted white self-flange <input type="checkbox"/> BB Painted black baffle <input type="checkbox"/> WB Painted white baffle <input type="checkbox"/> TRG Trim Ring Gasket (factory installed)					

¹Alzak reflector must be removed re-lamp PAR 38



PHOTOMETRIC DATA

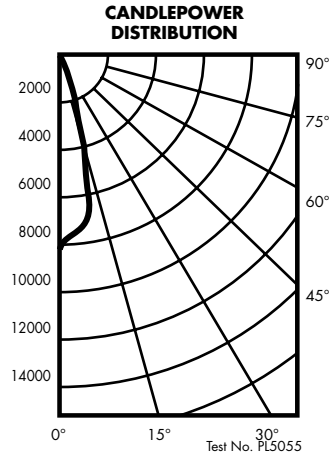
Architektūr - 6" PAR Recessed Parabolic Downlight - 79X

79X-ST832 Clear Specular Cone

Lamp: 150W PAR38 Flood, 2200 Lumens

Spacing Criteria: 0.4

Efficiency: 88.8%



CANDLEPOWER SUMMARY

Angle	Mean CP	Lumens	
0	8215		
5	7410	706	
15	3087	978	
25	376	230	
35	38	37	
45	0	2	
55	0	0	
65	0	0	
75	0	0	
85	0	0	

COEFFICIENTS OF UTILIZATION Zonal Cavity Method

Room Cavity Ratio	% Effective Floor Cavity Reflectance																
	80%			70%			50%			30%			10%				
	20% Effective Floor Cavity Reflectance																
	% Wall Reflectance																
	70	50	30	10	70	50	30	10	50	30	10	50	30	10			
1	1.03	1.01	1.00	.99	1.01	1.00	.98	.97	.96	.95	.94	.93	.92	.91	.90	.89	.89
2	1.00	.98	.96	.94	.99	.96	.94	.93	.93	.92	.91	.91	.90	.89	.89	.88	.87
3	.98	.95	.93	.90	.97	.94	.92	.90	.92	.90	.89	.90	.89	.87	.88	.87	.86
4	.96	.93	.90	.88	.95	.92	.89	.87	.90	.88	.86	.88	.87	.86	.87	.86	.85
5	.94	.90	.87	.85	.93	.89	.87	.85	.88	.86	.84	.87	.85	.84	.86	.84	.83
6	.93	.89	.86	.84	.92	.88	.85	.83	.87	.85	.83	.86	.84	.82	.85	.83	.82
7	.91	.87	.84	.82	.90	.86	.84	.81	.85	.83	.81	.84	.82	.81	.84	.82	.81
8	.89	.85	.82	.80	.89	.84	.82	.80	.84	.81	.80	.83	.81	.79	.82	.81	.79
9	.88	.83	.81	.79	.87	.83	.81	.79	.82	.80	.78	.82	.80	.78	.81	.79	.78
10	.86	.82	.79	.77	.86	.82	.79	.77	.81	.79	.77	.81	.78	.77	.80	.78	.77

79X-ST832 150W PAR38 Flood

Test No. PLS055

NOTES

When ordering a sloped ceiling adapter, specify the degree of slope in 5° increments, max. of 35°. For a more precise degree or wet ceiling applications, please contact factory. The SCA must be installed at the time of housing installation.

Refer to www.prescolite.com for additional photometric tests (IES Files).

