



6" PAR Retractable Downlight

1586-800

One 250W PAR-38 Lamp
120V or 277V

DATE: _____ TYPE: _____

FIRM NAME: _____

PROJECT: _____

Architektür

Ceiling Cutout: $8\frac{1}{8}"$
 Maximum Ceiling Thickness: 2"
 For conversion to millimeters,
 multiply inches by 25.4
 Not to Scale

APPLICATIONS:

The Architektür 1565-800 provides a 6" specification grade retractable downlight for a wide variety of applications including commercial, retail, and hospitality.

HOUSING:

20 gauge cold rolled steel recessed housing with white baked enamel finish. Patented clutch mechanism for maintaining aiming position of lamp provides 358° horizontal by 90° vertical adjustment and is retractable. Spun aluminum lamp housing with matte white exterior and matte black baffled interior. Prewired J-Box. Thermal protector.

REFLECTOR:

One piece matte white trim cone.

LAMP:

One (1) 250W PAR-38 lamp. Lamp furnished by others.

SOCKET:

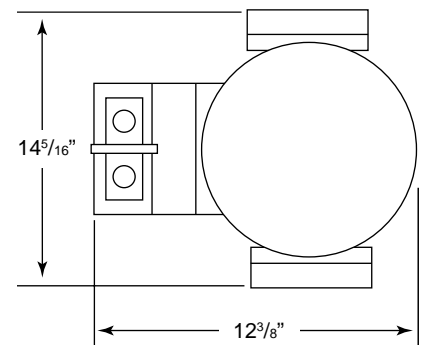
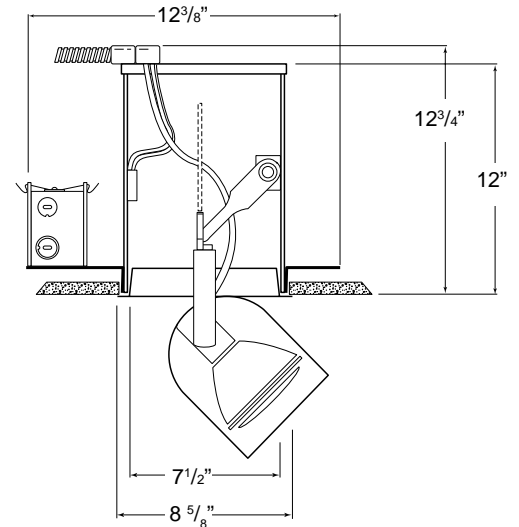
Porcelain socket with nickel plated screw shell.

INSTALLATION:

Universal mounting brackets accept $\frac{1}{2}"$ EMT conduit or $1\frac{1}{2}"$ lathing channels (by others), or Prescolite 24" bar hangers (B24 or B6).

LABELS:

UL, CSA Listed for damp locations
 Approved for through wiring
 Thermally protected
 Non-IC rated



CATALOG NUMBER:

EXAMPLE: 1586-800-B6

HOUSING

HOUSING OPTIONS

ACCESSORIES

1586-800
6", (1) 250W PAR-38

277V
J-box mounted step-down transformer

B24
Set of two (2) 24" bar hangers for T-bar ceilings

B6
Set of two (2) bar hangers for ceiling joists up to 24" centers

PHOTOMETRIC DATA

Architektūr - 6" PAR Retractable Downlight - 1586-800

Contact lamp manufacturers for bare lamp data

NOTES

Refer to www.prescolite.com for additional photometric tests (IES Files).



Web: www.prescolite.com • Tech Support: **(888) 777-4832**

101 Corporate Drive, Suite L • Spartanburg, SC 29303 U.S.A. • Phone (864) 599-6000

Prescolite is an affiliate of Hubbell Lighting, Inc., with representatives' offices throughout North America

Copyright ©2003 Prescolite, All Rights Reserved • Specifications subject to change without notice. • Printed in U.S.A. • ARCH-INC-023 • 09/03



**Hubbell
Lighting, Inc.**