



4" LED Track Head

AKTMLED

LED Track Head Track

DATE: _____ TYPE: _____

FIRM NAME: _____

PROJECT: _____



For conversion to millimeters,
multiply inches by 25.4
Not to Scale

APPLICATIONS:

Prescolite's AKTMLED delivers over 2500 lumens and has a robust, power-efficient design, perfect for a wide variety of commercial and retail applications. It is a great addition to the SignosM fixture line while providing an attractive LED option for high lumen output with low power use. The Light Engine can be used in up to a 25°C (77° F) ambient temperature environment and still maintain a 5 year warranty. (Track applications must adhere to limits of the associated track systems).

FIXTURE:

Diecast aluminum fixture with electronic driver. Track adapter rotates 350° around a vertical axis and the trackhead is rotatable 350° for horizontal aiming. The Prescolite track connector has fixed solid copper contacts for one or two circuit connection without modification. Finish available in black (BL) or white (WH).

DIMMING:

Two wire dimming to 10% using many 2 wire forward and reverse phase dimming controls. (See page 3 for recommended dimmers).

LED LIGHT ENGINE:

The AKTMLED has a Cree X Lamp high-flux, multi-die array COB. It provides a minimum of 80 CRI with 2 SCDM color consistency. It is a versatile fixture with multiple Kelvin temperatures available as well as 90 CRI options and factory configurable optics. It is mounted on a specially designed heatsink to meet L85 at 39,000 hours per TM21 and L80 at 50,000 hours calculated.

LED DRIVER:

Energy efficient solid state constant current electronic driver with 50,000 hour minimum anticipated life. Meets UL class 2, with over-voltage, over-current, and short-circuit protection. 120V operation.

INSTALLATION:

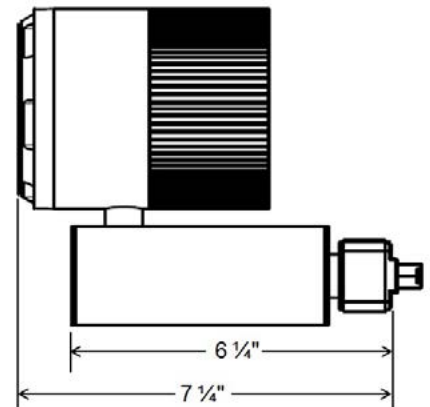
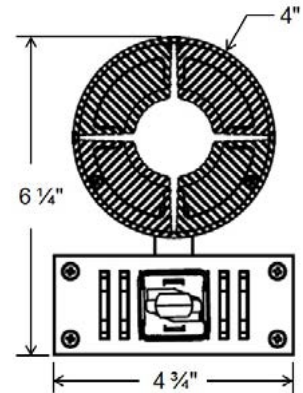
Prescolite ArchiTrak® compatible. The AKTMLED is not compatible with competitive track systems.

LABELS:

CSA certified to US and Canadian safety standards. Suitable for dry locations.

WARRANTY:

Five Year Limited Warranty. See www.prescolite.com for details.



CATALOG NUMBER: _____

EXAMPLE: AKTMLED25L35K8XFL55BL

Order housing, reflector, and accessories separately

BASE	OUTPUT	COLOR	CRI	BEAM SPREAD	FINISH
<input type="checkbox"/> AKTMLED 4" LED Track Head	<input type="checkbox"/> 25L 2500 Delivered Lumens	<input type="checkbox"/> 27K 2700 Kelvin <input type="checkbox"/> 30K 3000 Kelvin <input type="checkbox"/> 35K 3500 Kelvin <input type="checkbox"/> 40K 4000 Kelvin	<input type="checkbox"/> 8 80+ CRI <input type="checkbox"/> 9 90+ CRI	<input type="checkbox"/> MD25 25 Degree Cutoff <input type="checkbox"/> FL35 35 Degree Cutoff <input type="checkbox"/> XFL55 55 Degree Cutoff	<input type="checkbox"/> BL Black <input type="checkbox"/> WH White

PHOTOMETRIC DATA

ArchiTrak® - LED Track Head AKTMLED

DRIVER DATA	AKTMLED25L
Input Voltage	120V
Input Frequency	50/60 Hz
Input Current	0.38A
Input Power	45W
Constant Current Output	1000mA
Power Factor	≥0.90
THD	<20%
EMI Filtering	FCC 47CFR Part 15, Class B
Operating Temperature	-30°C to 25°C

Over-voltage, over-current, short-circuit protected

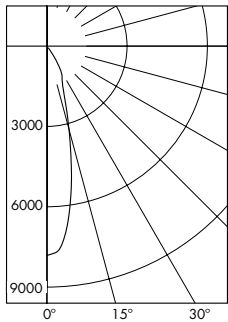
Lumen Multiplier Table

Photometrics are published below at a nominal 3000 Kelvin temperature, 80+ CRI. This table may be used to approximate the lumen values at different Kelvin/CRI. Power consumption would stay the same.

2700 Kelvin	80+ CRI	1.00
2700 Kelvin	90+ CRI	0.71
3000 Kelvin	80+ CRI	1.00
3000 Kelvin	90+ CRI	0.76
3500 Kelvin	80+ CRI	1.07
3500 Kelvin	90+ CRI	0.81
4000 Kelvin	80+ CRI	1.07
4000 Kelvin	90+ CRI	0.81

AKTMLED25L30K8MD25WH

System Wattage: 43.9 W
Fixture delivered lumens: 2698
Fixture Efficacy: 61.5 lumens per Watt
Spacing Criteria: 0.4



CANDLEPOWER SUMMARY

Angle	Candela	Lumens
0	7822	
5	7257	627
15	3213	900
25	1357	637
35	449	303
45	72	62
55	58	52
65	51	50
75	44	45
85	18	20
90	0	

ZONAL LUMEN SUMMARY

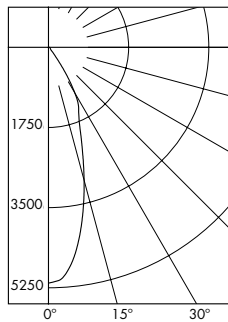
ZONE	LUMENS	%LUMINAIRE
0-30	2164	80.2
0-40	2468	91.5
0-60	2582	95.7
0-90	2698	100.0

Test No. 14.00424

Tested at 25°C ambient temperature in accordance to IESNA LM-79-2008

AKTMLED25L30K8FL35WH

System Wattage: 44.2 W
Fixture delivered lumens: 2571
Fixture Efficacy: 58.2 lumens per Watt
Spacing Criteria: 0.6



CANDLEPOWER SUMMARY

Angle	Candela	Lumens
0	5149	
5	4885	439
15	3004	829
25	1560	723
35	497	337
45	76	66
55	61	55
65	52	52
75	47	48
85	20	21
90	0	

ZONAL LUMEN SUMMARY

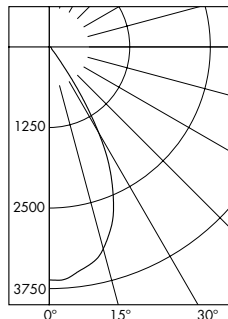
ZONE	LUMENS	%LUMINAIRE
0-30	1991	77.4
0-40	2328	90.5
0-60	2449	95.3
0-90	2571	100.0

Test No. 14.00425

Tested at 25°C ambient temperature in accordance to IESNA LM-79-2008

AKTMLED25L30K8XFL55WH

System Wattage: 44.7 W
Fixture delivered lumens: 2921
Fixture Efficacy: 65.3 lumens per Watt
Spacing Criteria: 0.8



CANDLEPOWER SUMMARY

Angle	Candela	Lumens
0	3615	
5	3589	337
15	3242	902
25	2301	1032
35	619	429
45	80	73
55	48	44
65	45	44
75	40	41
85	16	17
90	0	

ZONAL LUMEN SUMMARY

ZONE	LUMENS	%FIXT
0-30	2272	77.8
0-40	2701	92.5
0-60	2818	95.6
0-90	2921	100.0

Test No. 14.00799

Tested at 25°C ambient temperature in accordance to IESNA LM-79-2008

NOTES

Refer to www.prescolite.com for additional photometric tests (IES Files).



Web: www.prescolite.com • Tech Support: (888) 777-4832
701 Millennium Blvd., • Greenville, SC 29607 U.S.A. • Phone (864) 678-1000
Copyright ©2016 Prescolite, Inc., a division of Hubbell Lighting, Inc. All Rights Reserved
Specifications subject to change without notice. • Printed in U.S.A. • ATRK-049 • 9/30/16



DIMMING NOTES:

AKTM LED modules are designed to be compatible with many dimmer controls. Electronic low-voltage rated dimmer controls may offer favorable dimming performance. Incandescent type dimmers are not recommended. The following is a list of known compatible dimmer controls:

Manufacturer	Series	Part Number
Leviton	Renoir II	AWRMG-EAW
Leviton	Sure Slide	6615-8
Lutron	Diva Series	(Part Number DVELV-300)
Lutron	Maestro Series	(Part Number MAELV-600)
Lutron	Nova T Series	(Part Number NTELV-300)
Lutron	Spacer Series	(Part Number SPSELV-600)
Lutron	Vierti Series	(Part Number VTELV-600)

Incandescent Digital type dimmers are not recommended

Dimming capabilities will vary depending on the dimmer control, load, and circuit installation. Always refer to dimmer manufacturer instructions or a controls specialist for specific requirements.

Dimmer control brand names where identified above are tradenames or registered trademarks of each respective company.

