

B254PHRVHB-E

APPLICATION and PERFORMANCE SPECIFICATION

Description: Electronic ballast for (2 or 1) F54T5HO, FT50W/2G11, FT55W/2G11 fluorescent lamps

- Line Voltage: 347 - 480 vac, $\pm 10\%$, 50/60Hz
- Auto Reset End of Lamp Life Shutdown Circuitry
- **Microprocessor Control for Precise Operation**
- Programmed Rapid Start
- Active Power Factor Correction
- Series Lamp Operation

*60 Hz data

Lamp		Volts	Input Watts	Nominal Line Amps	Power Factor	Ballast Factor	Ballast Efficacy Factor	Harmonic Total	Crest Factor
Type	#								
F54T5HO	2	347	120	0.35	>.98	1.00	0.83	<10%	<1.7
F54T5HO	2	480	119	0.26	>.95	1.00	0.84	<10%	<1.7
F54T5HO	1	347	66	0.19	>.98	1.02	1.55	<10%	<1.7
F54T5HO	1	480	66	0.15	>.90	1.02	1.55	<15%	<1.7
FT55W/2G11	2	347	109	0.33	>.98	0.90	0.83	<10%	<1.7
FT55W/2G11	2	480	108	0.24	>.95	0.90	0.83	<10%	<1.7
FT55W/2G11	1	347	61	0.19	>.98	0.92	1.51	<10%	<1.7
FT55W/2G11	1	480	61	0.14	>.90	0.92	1.51	<15%	<1.7
FT50W/2G11	2	347	115	0.33	>.98	1.10	0.96	<10%	<1.7
FT50W/2G11	2	480	114	0.25	>.95	1.10	0.96	<10%	<1.7
FT50W/2G11	1	347	65	0.19	>.95	1.12	1.72	<10%	<1.7
FT50W/2G11	1	480	65	0.15	>.90	1.12	1.72	<15%	<1.7

Application and Performance Specification Information Subject to Change without Notification.

Performance:

- Meets ANSI Standard C82.11-1993
- Meets ANSI Standard C62.41-1991
- Meets FCC Part 18 (Class A) for EMI and RFI
Non-Consumer Limits

Safety:

- No PCB's
- UL listed (Class P, Type 1 Outdoor, Type HL)
- CSA Certified

Application:

- Minimum Starting Temperature: 0° F, -18° C
with no remote mounting: -20° F, -29° C
- Maximum Case Temperature: 194° F, 90° C
- Sound Rated: A
- Remote Mounting: Up to 20 ft.
- Consult factory for Tandem Wiring

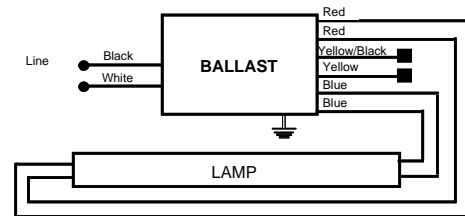
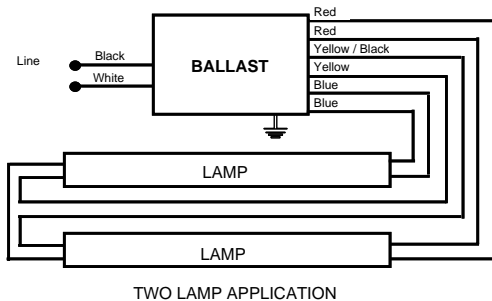
Physical Parameters

	Inches	Metric
• Mounting Length: (Center to Center)	16.28" +/- 0.010"	413.5 mm
• Overall Length:	16.88" +/- 0.010"	428.8 mm
• Width:	1.74" +0.03"/- 0.02"	44.0 mm
• Height:	1.18" +0.04"/- 0.01"	30.0 mm
• Weight:	2.25 lbs	1.0 kg
• Carton Quantity:	10 pieces	
• Lead Length:	White, Black 31" ($\pm 1"$) Blue, Red 28" ($\pm 1"$) Yellow, Yellow/Black 48" ($\pm 1"$)	

Warranty:

Universal Lighting Technologies warrants to the purchaser that each electronic ballast will be free from defects in material or workmanship for a period of 3 years from date of manufacture when properly installed and under normal conditions of use. Call **1-800-BALLASTx800** for technical assistance.

Manufactured in North America



ONE LAMP APPLICATION
For one lamp application, individually cap yellow and yellow/black leads, insulate to 600 volts

Ballast Must be Grounded