


DUSK-TO-DAWN KITS DD SERIES	Cat.#		 HUBBELL Outdoor Lighting
	Job	Type	
			Approvals

APPLICATIONS

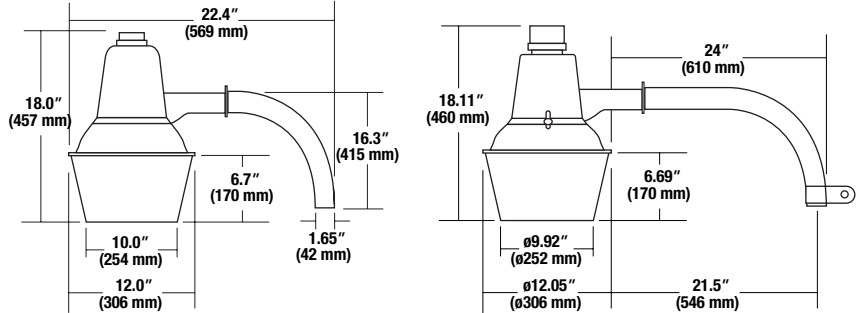
- High pressure sodium dusk-to-dawn security kits provide long life, low energy consumption and low maintenance
- CFL kits provide 'white' light

SPECIFICATIONS

- Cast aluminum heads protect electrical components
- Twistlock photocontrols save energy with automatic on/off, adjusts with the seasons
- Long life HPS lamp provides uniform lighting (rated 24,000 hrs) CFL for instant-on warmer climates – white light (rated 8-10,000hrs)
- All units are 120 volt
- Arms are 1.65" pipe

LISTINGS

- Listed to UL1598 for use in wet locations



ORDERING INFORMATION

Catalog Number	Wattage	Source	Optic Dia.	Lamp	Weight lbs. (kg)
Distributor kits - 24" curved aluminum arm, UL listed. Screw-on optics					
Compact Fluorescent					
DDS-65F	65	CFL	12"	Med. Screw Base	4.0 (1.8)

REPLACEMENT PARTS

Catalog Number	Description	Weight lbs. (kg)
DDR-5AP	Replacement optics, latch-on, Type V acrylic for DDR fixtures	1.5 (0.7)
PTL-1	Replacement 120V twist lock photocontrol	0.1 (0.05)
93023491	Replacement 65w CF lamp	5 (2.25)

