



12XPB Series Fixtures

75 watt, 12VDC output, Hazardous Location Emergency System

FEATURES

Application

The 12XPB Series is a self-contained hazardous location emergency lighting system which is designed for environments known to have high concentrations of gas, explosive vapors and dust. The 12XPB is intended for use in oil and gas refining, chemical production and storage, grain processing and paint manufacture. The 12XPB provides emergency illumination for a minimum of 90 minutes in the event of power outage. Power is only supplied to the external lamps when AC power is lost.

The 12XPB can be applied in the following environments:

- Class I, Div. 1 & 2, Groups C, D
- Class I, Zones 1 & 2, Groups IIB, IIA
- Class II, Div. 1 & 2, Groups E, F, G
- Class III, Div. 1 & 2

Construction

The XPB Series housing is made of copper-free (less than 0.4%) aluminum with a baked on electro-statically applied epoxy for maximum corrosion resistance. The housing contains lead acid batteries which deliver 75 watts to power external 12VDC, 18 or 28 watt incandescent lamps for 90 minutes in the event of power outage. The enclosure, lamp-heads and test station utilize 3/4" connection. There are 7 each -3/4" threaded holes in the enclosure.

Installation

Provided with 2 mounting holes at each corner for attachment to a wall or other suitable surface. The housing contains 7 each 3/4" drilled and tapped holes for threaded conduit. Quick access to internal wiring and circuitry through a threaded cover with supplied gasket. The 12XPB assembly includes a remote test station (push-to-test and AC indicator) along with seal fitting, 3/4" pipe nipple and sealing compound. The lighting fixtures (ordered separately) can be pendant, wall or ceiling mount.

Electronics

Voltage input through a heavy duty transformer at 120 or 277VAC operation. Fully automatic solid-state charger which includes low voltage disconnect to prevent deep discharge of the battery. Includes six maintenance-free lead acid batteries to provide 12VDC output to power up to 75 watts of load for 90 minutes. An AC-on indicator and push-to-test station (sold separately) provides momentary testing of the system.

Catalog Number	
Comments	Type



12XPB enclosure with integral charger and battery pack

Operating Temperature

20°C to 30°C (68°F to 86°F)

Warranty

Full 3 year warranty

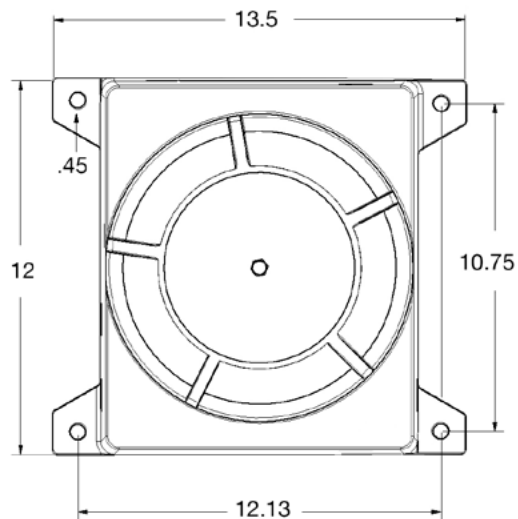
Compliances

UL924 Emergency Listed
UL844 Hazardous Location Listed

Power Consumption

120VAC- 15 Watts

Dimensions



ORDERING GUIDE

12XPB

Model	Capacity	Time Delay Relay
	75K 75 watts for 90 minutes	Blank No TDR TDR120 120VAC input TDR277 277VAC input

¹ To order the enclosure with charger and batteries only.



12XPB Series Fixtures

75 watt, 12VDC output, Hazardous Location Emergency System

Application

The following fixtures are designed to be powered from the 12XPB battery pack and are available in wall, ceiling or pendant mount configurations. The fixtures are available in direct or remote connection pendant, or for wall or ceiling configuration. The fixtures are suitable for use in wet locations.

The fixtures meet the following listing criteria;

- Class I, Div. 1 & 2, Groups C, D
- Class I, Zones 1 & 2, Groups IIB, IIA
- Class II, Div. 1 & 2, Groups E, F, G
- Class III, Div. 1 & 2

Construction

The EX and REX lighting fixtures are made of copper-free (less than 0.4%) aluminum with a baked on electro-statically applied epoxy for maximum corrosion resistance. The fixtures are available with 12VDC, 18 or 28 watt incandescent lamps, or for 120VAC, 150 Watt medium base incandescent for stand-alone non-emergency application. The lamp mounting cap for each mounting configuration utilize 3/4" hub connection.

Installation

The EX pendant mounted fixture is supplied with a fittings kit for direct connection to the 12XPB (supplied separately) battery and charger housing. The REX wall, ceiling or pendant mounted fixtures are supplied with a specific mounting cap which is wired directly and mounted to a suitable wall or ceiling surface. The head assembly is then threaded to the cap which contains a contactor for direct connection. The lamp is pre-installed and included in the head assembly.

MOUNTING



Pendant
REX1CDP

Ceiling
REX1CDC

Wall
REX1CDW

Thermal Performance: Explosion-Proof Fixtures

NEC Class	Amient Temp	With or Without Reflectors
Class I, Div. 1 & Div. 2, Groups C, D	40°C	T5 (86°-100°C)
Class II, Div. 1 & Div. 2, Groups E,F,G	40°C	T3C (136°-160°C)

ORDERING GUIDE

Part Number	Fixture	Input Voltage	Lamp Watts	Mounting	Hub Size
93046917	EX-1CD1218	12VDC	18	Direct Mount	3/4"
93046918	EX-1CD1228		28		
93046908	REX1CDC120V	120VAC	up to 150W	Ceiling	
93046909	REX1CDC1218	12VDC	18		
93046910	REX1CDC1228		28		
93046911	REX1CDP120V	120VAC	up to 150W	Pendant	
93046912	REX1CDP1218	12VDC	18		
93046913	REX1CDP1228		28		
93046914	REX1CDW120V	120VAC	up to 150W	Wall	
93046915	REX1CDW1218	12VDC	18		
93046916	REX1CDW1228		28		

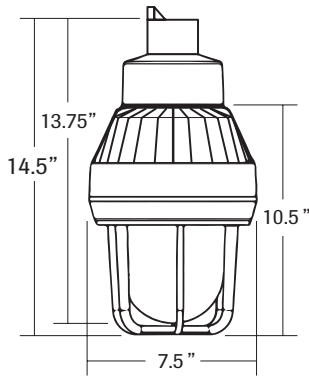


12XPB Series Fixtures

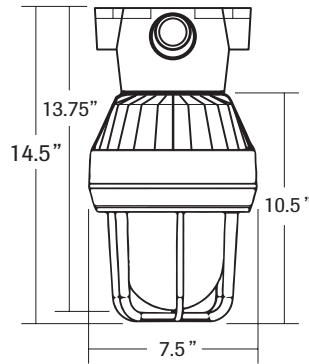
75 watt, 12VDC output, Hazardous Location Emergency System

DIMENSIONS

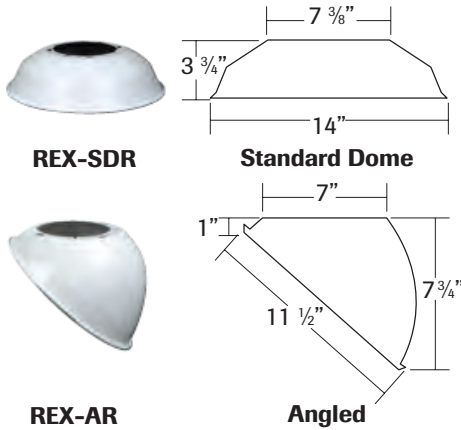
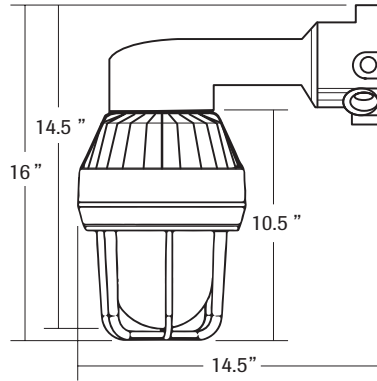
Pendant



Ceiling



Wall



ACCESSORIES

- EX100CD- Exit Sign Accessory
- REX-AR- Angled Reflector
- REX-SDR- Standard Reflector
- XWG- Guard



XWG
Globe Guard



Exit Sign
EX100CD

