

Featuring VirtualSource® Reflectors

New Construction

FT6CF

6" Fire Resistant
Recessed Compact
Fluorescent Downlight
Non-IC Rated
120V-277V
AirShield

DATE: _____ TYPE: _____

FIRM NAME: _____

PROJECT: _____



Aperture: Nominal 6"
Ceiling Cutout: 6⁷/₈"
Maximum Ceiling Thickness: 1¹/₄"
Width: 7¹/₂"
For conversion to millimeters,
multiply inches by 25.4
Weight: 12.5 lbs.
Not to Scale

APPLICATIONS:

Suitable for fire rated assemblies in new construction where insulation, if present, is not installed above or within 3" of the fixture. The FT6CF utilizes a triple tube compact fluorescent lamp, providing good lumen output and excellent lumens per watt. The FT6CF is ideal for applications that require high efficiency, including office buildings, retail and hospitality spaces, restaurants, and residentially in multifamily applications.

OPTICS/REFLECTOR:

Trims use single spring retention system to fit snug to the ceiling plane, eliminating unwanted light leaks and sagging over time. Most trims are made of diecast aluminum and reflectors are anodized, eliminating the risk of yellowing, cracking or warping. TO95 and TW95 feature patented Virtual Source® optics.

LAMP/SOCKET:

Use one (1) 26W or 32W (GX24q-3 base) 4-pin triple tube compact fluorescent lamp. One (1) injection molded socket suitable for 26W or 32W triple tube lamps. Socket snaps into trim carrier to place lamp in proper position ensuring consistent appearance and performance. Refer to trim for specific lamp information. Lamps furnished by others.

BALLAST:

One (1) compact fluorescent class "P" electronic ballast suitable for operating 26W or 32W triple tube lamps. Ballast accommodates 120V through 277V and is accessible from below ceiling. The ballast's thermal protection prevents fixture from overheating when improperly installed or over-lamped.

INSTALLATION:

Self-aligning bar hangers with integral forked nailing prongs. Locking T-bar notch accommodates T-bar ceiling and expands to 24" joist spacing. Shipped with four clips for installation to furring channels.

HOUSING:

Galvanized 22 ga. C.R.S. housing. Two (2) 22 ga. snap-on covers provide easy access to splices.

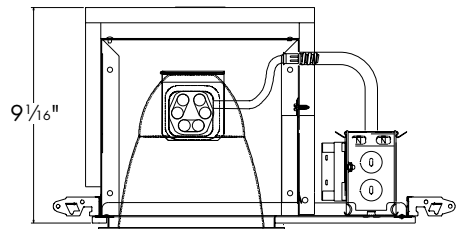
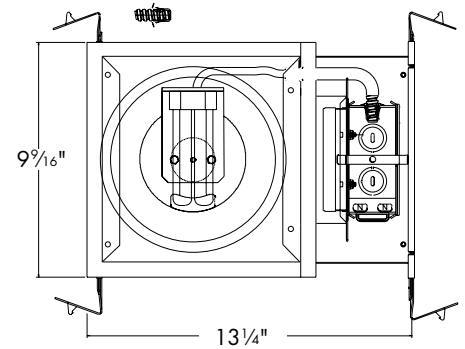
LABELS:

Non-IC rated. Insulation, if present, must not be on top of housing and be spaced 3" away from housing sides. UL, CUL listed for damp locations and through wiring. UL listed for wet locations when used with lensed (TL) trims. AirShield™ rated. UL classified to maintain up to a one hour fire rating in UL L500 series and G531 fire rated ceiling assemblies.

J-BOX:

Prewired 18 ga. galvanized steel junction box with preinstalled ground wire and integral Romex connector. J-box is accessible from below ceiling through removable housing end panel.

*Trim sold separately.



US Patent Nos. 6,357,891; 6,004,011;
6,254,056; 6,357,894 B1; 5,918,969

CATALOG NUMBER:

EXAMPLE: FT6CF-TO4S

Order housing, reflector, and accessories separately

HOUSING & TRIMS

FT6CF

HOUSING OPTIONS

CDN

Canadian electrical code compliant ballast disconnect.

TRIMS

OPEN

TO4S

TO8

TO95BF

TO95S

TO95WBF

WALL WASH

TW95S

LENSED

TL42

OPTIONS

DM

Electronic Dimming Ballast

ACCESSORIES

MGR

Metal "goof" rings. White metal trim ring covers oversized ceiling cutout. Specify outside dimension and trim catalog number. Specify outside dimension and trim catalog no.

G6

Optional ceiling gasket for 6" trim. Ceiling gasket seals housing to drywall opening for WSEC compliance.

ICBOX

Recessed enclosure for IC applications. Refer to specification sheet FT-INC-005



In a continuing effort to offer the best product possible we reserve the right to change, without notice, specifications or materials that in our opinion will not alter the function of the product.
Web: www.prescolite.com • Tech Support: (888) 777-4832

FT-CFL-001

Lensed

All Trims Are Wet Location Approved



TL42

Shower trim with fresnel glass lens and an upper clear Alzak reflector.
Max. 26W horizontal triple tube.

Open



TO4 (S)

Clear (S) Alzak reflector.
Max. 26W or 32W vertical triple tube.



TO8

White reflector trim.
Max. 26W or 32W vertical triple tube.



TO95 (S)

Specular clear (S) Alzak reflector with Virtual Source® optics.
Max. 26W or 32W horizontal triple tube.



TO95 (BF) (WBF)

Specular clear upper reflector with lower black (BF) or white (WBF) baffle and Virtual Source optics.
Max. 26W or 32W horizontal triple tube.

Wall Wash



TW95

Wall wash downlight with clear Alzak reflector and Virtual Source optics.
Max. 26W or 32W horizontal triple tube.