

pg 2 TRIPLE H - High Ambient High Output High Efficacy High Bay

PHOTOMETRIC DATA: IES_HHH_5K_HB_MO_19439 | 5.18.17

LUMINAIRE DATA

HHH-5K-HB-MO

Luminaire - Narrow distribution modular high bay with clear acrylic refractor

DRIVER: 95 WATT PHILIPS ADVANCE

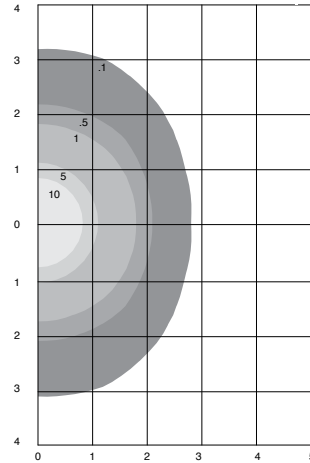
Driver Factor	1.0
Lamp	LED
Lumens	46,190
Watts	326.4
Efficacy	142.0
Mounting	Pendant
Spacing Criterion	1.29 (0°) 1.29 (90°)

LUMINOUS OPENING IN FEET

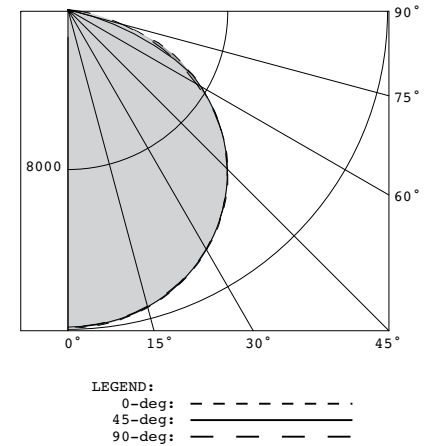
Length	2.17 (Diameter)
Width	1.17 (Diameter)

ZONE	LUMENS	% FIXT.
0-30	12,537	27.1
0-40	20,750	44.9
0-60	37,477	81.1
0-90	46,189	100.0
0-180	46,190	100.0

ISOMETRIC FOOT CANDLES



POLAR GRAPH



PHOTOMETRIC DATA: IES_HHH_5K_HB_HO_19435 | 4.4.17

LUMINAIRE DATA

HHH-5K-HB-HO

Luminaire - Narrow distribution modular high bay with clear acrylic refractor

DRIVER: 95 WATT PHILIPS ADVANCE

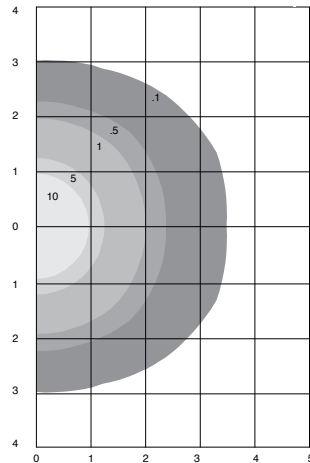
Driver Factor	1.0
Lamp	LED
Lumens	66,245
Watts	433.4
Efficacy	153.0
Mounting	Pendant
Spacing Criterion	1.29 (0°) 1.30 (90°)

LUMINOUS OPENING IN FEET

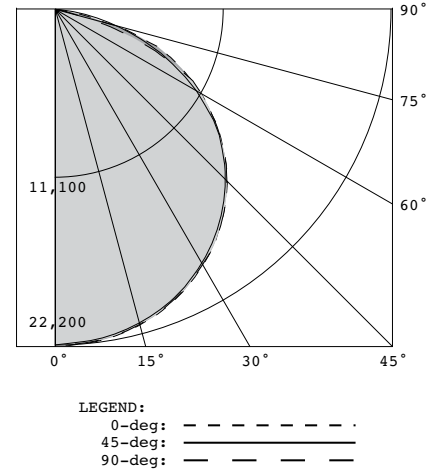
Length	2.33 (Diameter)
Width	2.33 (Diameter)

ZONE	LUMENS	% FIXT.
0-30	17,579	26.5
0-40	29,153	44.0
0-60	53,007	80.0
0-90	66,177	99.9
0-180	66,245	100.0

ISOMETRIC FOOT CANDLES



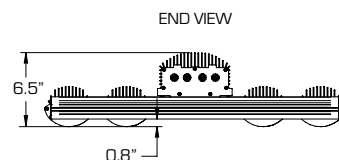
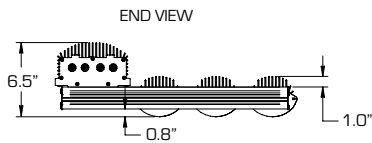
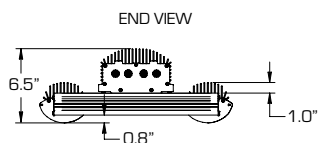
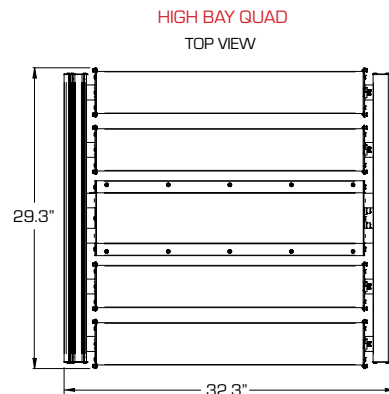
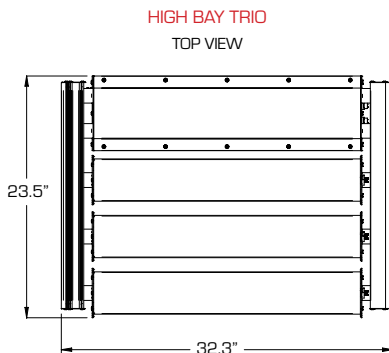
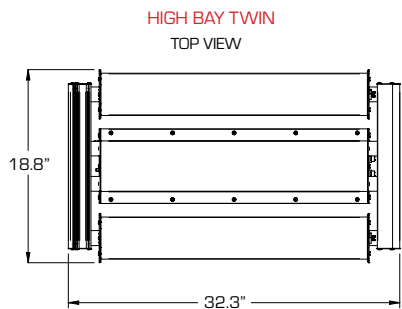
POLAR GRAPH



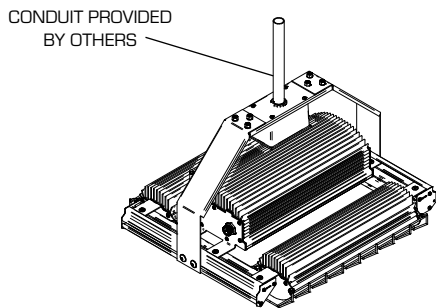
TECHNICAL DATA

	CATALOG STRING	LUMEN OUTPUT	WATTS	LUMINAIRE EFFICACY	CCT	CRI	APPROX. INSTALLED WEIGHT	SPACING RATIO	AMP DRAW						
									120V	208V	240V	277V	347V	480V	
HIGH BAY	LO	D	HHH-5K-HB-LO-D	24078	216	5000	83	45	1.3	1.82	1.04	0.91	0.80	0.62	0.44
		N	HHH-5K-HB-LO-N	29253					1.0						
		M	HHH-5K-HB-LO-M	31463					1.3						
		W	HHH-5K-HB-LO-W	29985					1.7						
		No Lens	HHH-5K-HB-LO	32801					1.3						
	MO	D	HHH-5K-HB-MO-D	39174	326	5000	83	54	1.3	2.71	1.55	1.35	1.19	0.92	0.67
		N	HHH-5K-HB-MO-N	36102					1.0						
		M	HHH-5K-HB-MO-M	42805					1.3						
		W	HHH-5K-HB-MO-W	38554					1.7						
		No Lens	HHH-5K-HB-MO	46190					1.3						
	HO	D	HHH-5K-HB-HO-D	60905	432-436	5000	83	65	1.3	3.63	2.08	1.82	1.59	1.22	0.86
		N	HHH-5K-HB-HO-N	59208					1.0						
		M	HHH-5K-HB-HO-M	63927					1.3						
		W	HHH-5K-HB-HO-W	61519					1.7						
		No Lens	HHH-5K-HB-HO	66245					1.3						

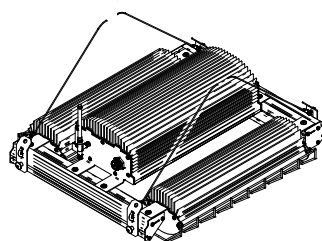
DIMENSIONS



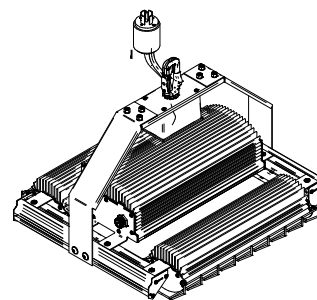
*Dimensions are based on round lens option



A2 PENDANT MOUNTING OPTION
INTEGRAL YOKE & WIRING BOX STD.
(SUPPLY AC POWER CORD NOT SHOWN)



AC AIRCRAFT CABLE MOUNTING OPTION
(SUPPLY AC POWER CORD NOT SHOWN)



A2 HOOKLOOP MOUNTING OPTION
INTEGRAL YOKE & WIRING BOX STD.
(SUPPLY AC POWER CORD NOT SHOWN)

APPLICATION GUIDE

					HID REPLACEMENT				
					250W	320W/350W/400W	600W	750W	1000W
					HPS, MH, PSMH	MH, PSMH	HPS	PSMH	MH, PSMH
HIGH BAY	LO	LUMENS	30,000				485W SAVED/FIXTURE	595W SAVED/FIXTURE	
	MO		45,000					450W SAVED/FIXTURE	720W SAVED/FIXTURE
	HO		60,000						645W SAVED/FIXTURE

ACCESSORIES

ITEM	PART NUMBER	DESCRIPTION
Lens		
26-inch diffuse	93075044	LENS-REPL HB RND DIFF ACRYL DIFFUSE
26-inch medium	93075046	LENS-REPL HB FLAT CLR ACRYL MEDIUM
26-inch narrow	93075048	LENS-REPL HB FLAT CLR ACRYL NARROW
26-inch wide	93075050	LENS-REPL HB FLAT CLR ACRYL WIDE
Wire Guard		
26-inch flat	93075052	ASM-REPL WG FLAT HB HHH WHITE
26-inch round	93075055	ASM-REPL WG RND HB HHH WHITE
26-inch flat	93077271	ASM-REPL WG FLAT HB HHH GRAY
26-inch round	93077273	ASM-REPL WG RND HB HHH GRAY

REPLACEMENTS

ITEM	PART NUMBER	DESCRIPTION
Light Engines		
26-inch LED board 5K	93075033	PCB-REPL ASM 512CT 80CRI 5000K
26-inch LED board 4K	93075035	PCB-REPL ASM 512CT 80CRI 4000K
Drivers		
95W Driver 120-277V	93075036	ASSY-REPL ADV DRVR-XI095W UNIV.
50W Driver	93075037	ASSY-REPL ADV DRVR-XI050W UNIV.
95W Driver 347-480V	93075038	ASSY-REPL ADV DRVR-XH095W 347-480V

Due to our continued efforts to improve our products, specifications are subject to change without notice.
© 2019 Hubbell Lighting All Rights Reserved.