

KEMLUX III SERIES

SEVERE LOCATION MULTI-CONVERSION RING



| | | |
|-------|------|-----------|
| CAT.# | | APPROVALS |
| JOB | TYPE | |

SPECIFICATIONS

Applications -

Designed to efficiently light corrosive and harsh applications such as chemical, petrochemical, marine, power generation, pharmaceutical or food processing plants.

Construction -

- Retrofit design allows mounting to 5 different competitors mounts
- Vertically finned cast aluminum housing for maximum heat dissipation ensuring long component life and performance
- Separate hinged optical and electrical compartments for optimum component operation and easy installation, maintenance.
- One piece molded silicone gasket ensures weather proof seal around each individual LED; Stamped bezel provides mechanical compression to seal the optical assembly
- Specialized thermal management allows up to 40°C ambient temperature ratings
- Copper-free (<0.4%) aluminum housing and cover with gray Lektrocote® powder polyester paint finish provides excellent corrosion resistance from most chemicals
- **Fixture weight:** 29 lbs. **Shipped weight:** 33 lbs.

Optics/Electrical System -

- Custom engineered LED optics providing optimally controlled and evenly distributed light
- Three distinct distributions: Type V square, Type V rectangle and Narrow

LED Light Engine -

- High output LEDs delivering up to 105 lumens per watt
- CCT: 5000K
- 18, 24 and 36 LEDs on up to six individual light engines providing fail-safe redundancy

LED Driver -

- Transient voltage protection with standard 10KVA surge suppressor
- Thermal compensation management



*Shown with Appleton conversion ring and Appleton Mercmaster III wall mount.

- Wattage: 43-86
- Minimum operating temperature of -40°C to 40°C

Listings -

- Listed to UL1598 for use in wet locations

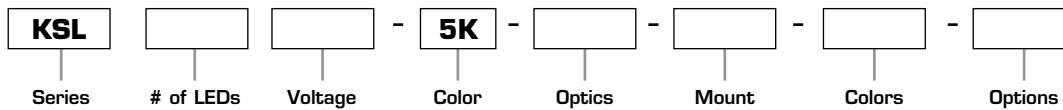
Warranty -

- Five years from date of purchase



ORDERING INFORMATION

ORDERING EXAMPLE: KSL-36L-U-5K-N-C-2-TN-WG-WIH



SERIES

KSL Kemlux III LED

NUMBER OF LEDs

| | |
|-----|------------------------------------|
| 18L | 18 High Performanc LEDs (43 watts) |
| 24L | 24 High Performanc LEDs (57 watts) |
| 36L | 36 High Performanc LEDs (86 watts) |

VOLTAGE

| | |
|---|-----------|
| U | 120 - 277 |
| 1 | 120 |
| 2 | 208 |
| 3 | 240 |
| 4 | 277 |
| 5 | 480 |
| F | 347 |

COLOR TEMPERATURE

5K 5000° Kelvin

OPTICS

| | |
|----|------------------|
| 5M | Type V Square |
| 5R | Type V Rectangle |
| N | Narrow |

MOUNT

| | |
|-----|---------------------------------|
| CH | Convert Crouse Hinds VM |
| CHD | Convert Crouse Hinds VM Deep |
| AP2 | Convert Appleton MercMaster 2 |
| AP3 | Convert Appleton MercMaster 3 |
| HZ | Convert Hazlux 3 Mounts |
| N | None (Mount Ordered Separately) |

COLORS

| | |
|----|-------|
| GR | Gray |
| WH | White |

OPTIONS

| | |
|------|--|
| WIH | Wireless Control System |
| SC70 | 70% Output dimmed/ 30% Energy savings |
| SC50 | 50% Output dimmed/ 50% Energy savings |
| SC30 | 30% Output dimmed/ 70% Energy savings |
| SC0 | No light output when dimmed/ ON/OFF Control |

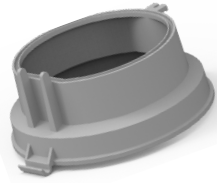
F(x) Fusing¹

Notes:
1. Fusing 1-120V, 2-208V, 3-240V, 4-277V, 6-347V

ACCESSORIES (Order as separate part #)

WG Wire Guard

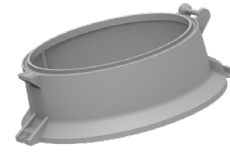
MOUNTING OPTIONS



AP2



CH



CHD



AP3



HZ

LED SYSTEM INFORMATION

| NUMBER OF LED's | DRIVE CURRENT (MILLIAMPS) | INPUT WATTS | DISTRIBUTION | TOTAL LUMENS | LUMENS PER WATT | HID EQUIVALENT |
|-----------------|---------------------------|-------------|--------------|--------------|-----------------|----------------|
| 18 | STD. (700 MA) | 43 | N | 4410 | 103 | 100W HID |
| | | | 5M | 4323 | 101 | |
| | | | 5R | 4405 | 102 | |
| 24 | | 57 | N | 5988 | 105 | 175W HID |
| | | | 5M | 5712 | 100 | |
| | | | 5R | 5896 | 103 | |
| 36 | | 86 | N | 9004 | 105 | 250W HID |
| | | | 5M | 8473 | 99 | |
| | | | 5R | 8747 | 102 | |

¹Lumen values are from photometric tests performed in accordance with IESNA LM-79-08. Data is considered to be representative of the configurations shown. Actual performance may differ as a result of end-user environment and application.

PROJECTED LUMEN MAINTENANCE

| AMBIENT TEMPERATURE | 0 | 25,000 | 50,000 | ¹ TM-21-11 60,000 | 100,000 | CALCULATED L70 (HOURS) |
|---------------------|------|--------|--------|---------------------------------|---------|------------------------|
| 10°C / 50°F | 1.01 | 1.00 | 0.99 | 0.99 | 0.97 | >1,085,000 |
| 25°C / 77°F | 1.00 | 0.99 | 0.98 | 0.98 | 0.96 | >1,085,000 |
| 40°C / 104°F | 0.99 | 0.98 | 0.96 | 0.96 | 0.94 | >706,000 |

¹ Projected per IESNA TM-21-11
Data references the extrapolated performance projections for the SCP-36LU-5K base model in a 40°C ambient, based on 10,000 hours of LED testing per IESNA LM-80-08.

ELECTRICAL DATA

| NUMBER OF LED's | NUMBER OF DRIVERS | DRIVE CURRENT (MILLIAMPS) | INPUT VOLTAGE (V) | SYSTEM POWER (W) | CURRENT (AMPS) |
|-----------------|-------------------|---------------------------|-------------------|------------------|----------------|
| 18 | 1 | STD. (700 MA) | 120 | 43 | 0.36 |
| | | | 277 | 45 | 0.20 |
| | | | 347 | 43 | 0.13 |
| | | | 480 | 43 | 0.11 |
| 24 | 2 | | 120 | 57 | 0.48 |
| | | | 277 | 59 | 0.24 |
| | | | 347 | 56 | 0.17 |
| | | | 480 | 57 | 0.13 |
| 36 | 3 | | 120 | 86 | 0.73 |
| | | | 277 | 89 | 0.35 |
| | | | 347 | 84 | 0.25 |
| | | | 480 | 85 | 0.20 |

Due to our continued efforts to improve our products, specifications are subject to change without notice. Copyright © 2019 Hubbell Lighting All Rights Reserved.

For more information visit our web site: <http://www.hubbellindustrial.com/>
Phone: 1-864-678-1000

Products not created by Hubbell Lighting are trademarked by their respective companies. Hubbell Lighting takes no credit for the manufacturing or distribution of those products.

PHOTOMETRIC REPORT

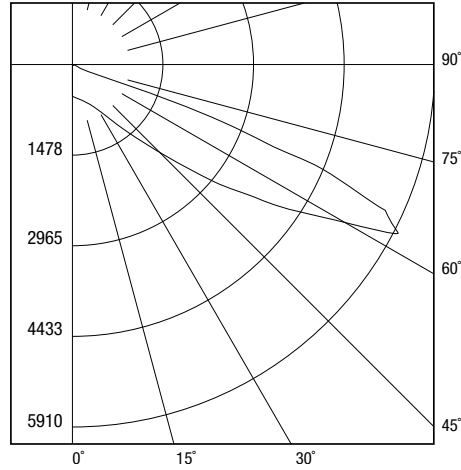
REPORT NUMBER: KXL-36L-X-5K-5M

LUMINANCE DATA (cd/sq.m)

| ANGLE IN DEGREES | AVERAGE 0-DEG | AVERAGE 45-DEG | AVERAGE 90-DEG |
|------------------|---------------|----------------|----------------|
| 45 | 36714 | 38224 | 36501 |
| 55 | 64143 | 91715 | 63284 |
| 65 | 47593 | 182242 | 47788 |
| 75 | 2539 | 17775 | 2645 |
| 85 | 1257 | 1571 | 1414 |

ZONAL LUMEN SUMMARY

| ZONE | LUMENS |
|------|---------|
| 0-30 | 557.83 |
| 0-40 | 1309.22 |
| 0-60 | 5689.70 |
| 0-90 | 8461.34 |



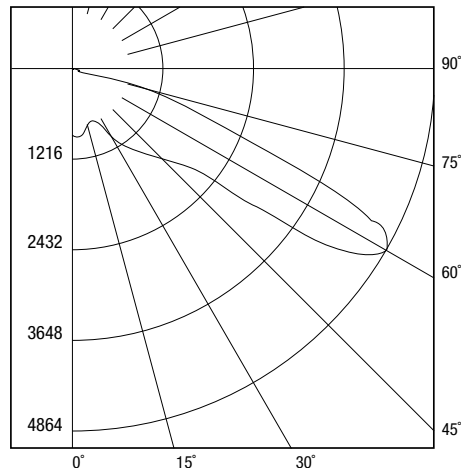
REPORT NUMBER: KXL-36L-X-5K-5R

LUMINANCE DATA (cd/sq.m)

| ANGLE IN DEGREES | AVERAGE 0-DEG | AVERAGE 45-DEG | AVERAGE 90-DEG |
|------------------|---------------|----------------|----------------|
| 45 | 33189 | 34371 | 30033 |
| 55 | 97444 | 53401 | 47123 |
| 65 | 128719 | 104809 | 8197 |
| 75 | 41158 | 28409 | 1852 |
| 85 | 8798 | 2985 | 1414 |

ZONAL LUMEN SUMMARY

| ZONE | LUMENS |
|------|---------|
| 0-30 | 765.65 |
| 0-40 | 1585.54 |
| 0-60 | 5239.6 |
| 0-90 | 8747.08 |



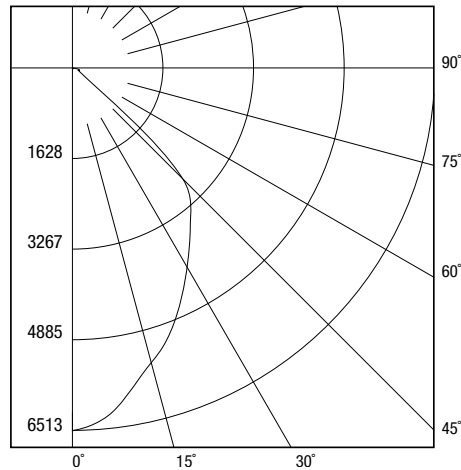
REPORT NUMBER: KXL-36L-X-5K-N

LUMINANCE DATA (cd/sq.m)

| ANGLE IN DEGREES | AVERAGE 0-DEG | AVERAGE 45-DEG | AVERAGE 90-DEG |
|------------------|---------------|----------------|----------------|
| 45 | 55516 | 55516 | 55516 |
| 55 | 3485 | 3485 | 3485 |
| 65 | 1620 | 1620 | 1620 |
| 75 | 1799 | 1799 | 1799 |
| 85 | 1728 | 1728 | 1728 |

ZONAL LUMEN SUMMARY

| ZONE | LUMENS |
|------|---------|
| 0-30 | 4255.62 |
| 0-40 | 6587.47 |
| 0-60 | 8904.83 |
| 0-90 | 9004.24 |

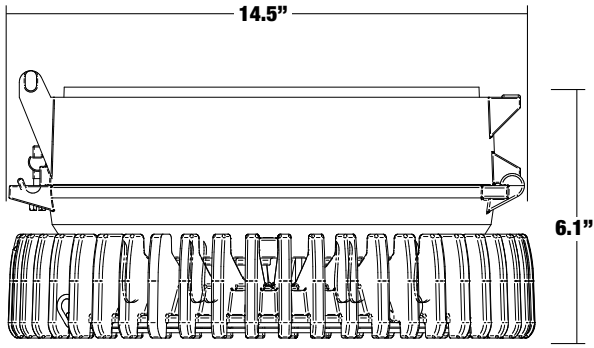


Due to our continued efforts to improve our products, specifications are subject to change without notice. Copyright © 2019 Hubbell Lighting All Rights Reserved.

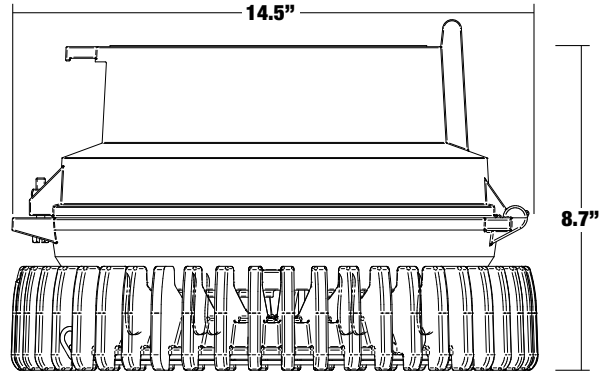
For more information visit our web site: <http://www.hubbellindustrial.com/>
Phone: 1-864-678-1000

Products not created by Hubbell Lighting are trademarked by their respective companies. Hubbell Lighting takes no credit for the manufacturing or distribution of those products.

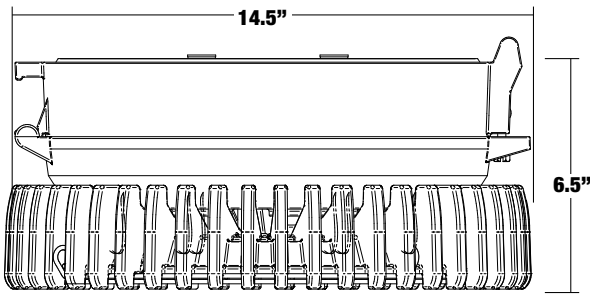
DIMENSIONS



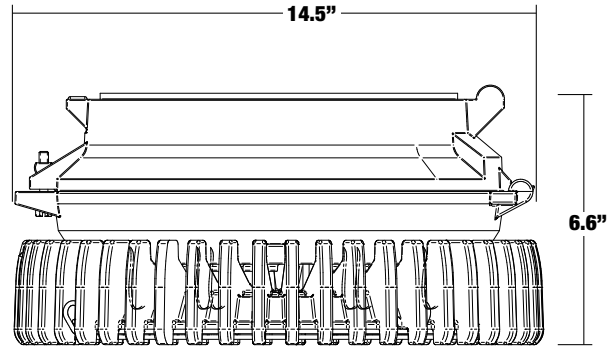
AP3



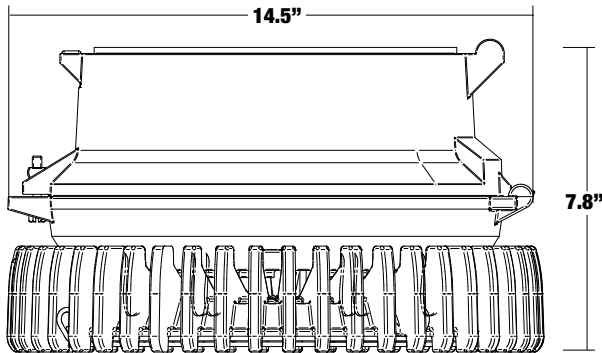
AP2



HZ



CH



CHD

