

LED VAPORTITE SERIES HAZARDOUS LOCATION



CAT.#		APPROVALS
JOB	TYPE	

SPECIFICATIONS

Applications

The NEW Hubbell LED Hazardous Vaportite efficiently lights any application requiring enclosed and gasketed fixtures, such as catwalks, manufacturing areas, and refineries. High quality, long life light fixture that only uses a total of 25 watts.

Construction -

- Four available mounts (Pendant, Ceiling, Wall, and Stanchion)
- Die-cast socket body containing the LED driver and circuit board
- High quality gray polyester powder coat
- Low copper alloy die-cast aluminum

Optics/Electrical System -

- Frosted glass globe for general lighting needs
- 78 LPW

LED Light Engine -

- High quality COB LEDs
- 5000K light

LED Driver -

- Single LED driver
- 25 Watts
- 120-277V universal voltage

Thermal Performance -

- -30°C to 40°C rated for ambient temperature
- Thermal code of T6

Listings -

- CSA tested to UL1598 Wet Location
- UL844 Class I, Division 2, Group A, B, C & D



*Shown with optional cast guard

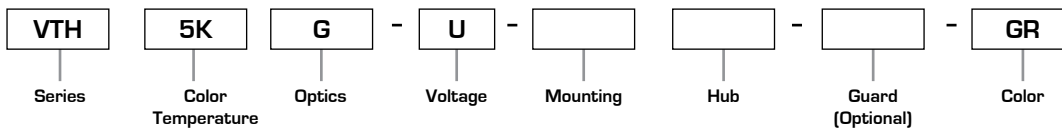
Warranty -

- Five years from date of purchase



ORDERING INFORMATION

ORDERING EXAMPLE: VTH-5K-G-U-P2-GR



SERIES

VTH	Vaportite LED Hazardous
-----	-------------------------

COLOR TEMPERATURE

5K	5000K, 70 CRI
----	---------------

OPTICS

G	Frosted Glass Globe
---	---------------------

VOLTAGE

U	Universal (120V through 277V)
---	-------------------------------

MOUNTING

P	Pendant
X	Ceiling
W	Wall
D	Stanchion

HUB

1	1/2" (for P, X AND W)
2	3/4" (for P, X AND W)
4	1 1/4" (for D only)

GUARD

G	Die-cast Guard (Optional)
---	---------------------------

COLOR

GR	Gray
----	------

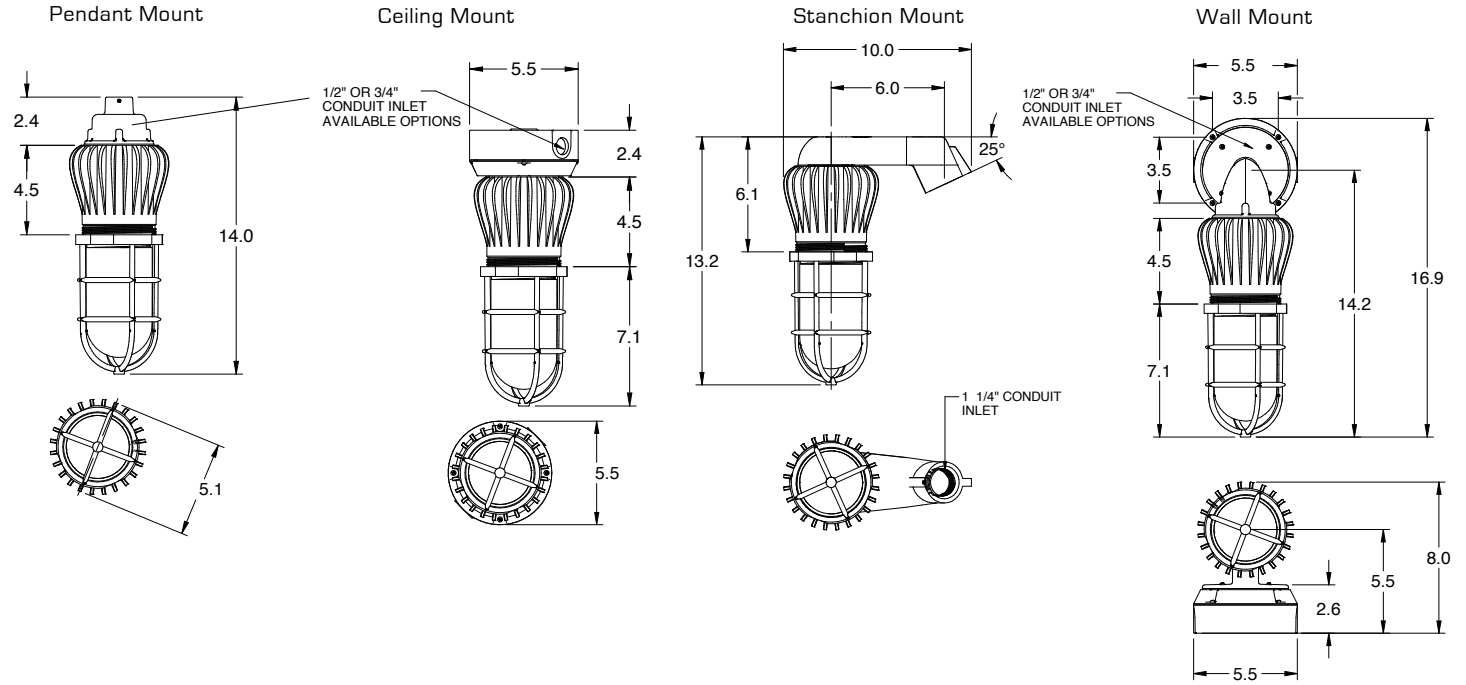
ACCESSORIES

VL15LG	Frosted Glass Lens
VCG-15	Die-cast Globe Guard

TEST NUMBER	CATALOG STRING	LUMEN OUTPUT	WATTS	LUMINAIRE EFFICACY LPW	CCT	CRI	SPACING RATIO	AMP DRAW			
								120V	208V	240V	277V
19046	VTH-5K-G-U-P2-GR	1940	25	71	5000	70	1.3	0.23	0.13	0.12	0.10
19047	VTH-5K-G-U-P2-G-GR	1402		51			1.0				

LED VAPORTITE SERIES - HAZARDOUS LOCATION

DIMENSIONS



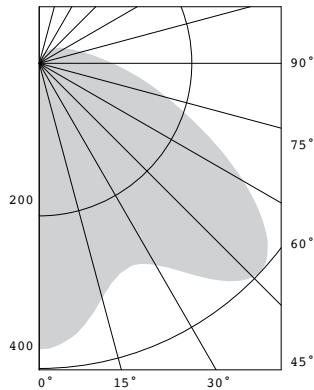
PHOTOMETRIC REPORT

LUMINAIRE DATA
VTH-5K-G-U-P2-GR
 Vaportite LED Hazardous Location, Specialty Cast aluminum housing with frosted glass lens enclosure

Lamp	LED
Lumens	1,940
Watts	25
Efficacy	71
Spacing Criterion [0-90]	1.3

ZONE	LUMENS	% FIXT.
0-30	262	13.5
0-40	473	24.4
0-60	1,094	56.4
0-90	1,669	86.1
0-180	1,940	100.0

REPORT NUMBER: 19046

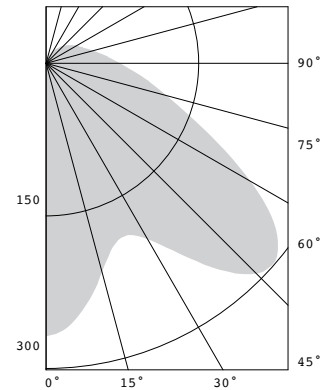


LUMINAIRE DATA
VTH-5K-G-U-P2-G-GR
 Vaportite LED Hazardous Location, Specialty Cast aluminum housing with frosted glass lens enclosure and aluminum wire guard

Lamp	LED
Lumens	1,402
Watts	25
Efficacy	51
Spacing Criterion [0-90]	1.0

ZONE	LUMENS	% FIXT.
0-30	172	12.2
0-40	315	22.5
0-60	778	55.5
0-90	1,187	84.6
0-180	1,402	100.0

REPORT NUMBER: 19047



CONE OF LIGHT TABULATION

Mounting Height (Feet)	Footcandles at Nadir	Diameter (Feet)
4.00	23.4	5.37
6.00	10.4	8.05
8.00	5.85	10.7
10.0	3.75	13.4
12.0	2.60	16.1
14.0	1.91	18.8
16.0	1.46	21.5

Due to our continued efforts to improve our products, specifications are subject to change without notice.
 © 2017 Hubbell Lighting All Rights Reserved.

For more information visit our web site: <http://www.hubbellindustrial.com/>
 Phone: 1-864-678-1000