

Cat. #		Approvals
Job	Type	

**APPLICATIONS**

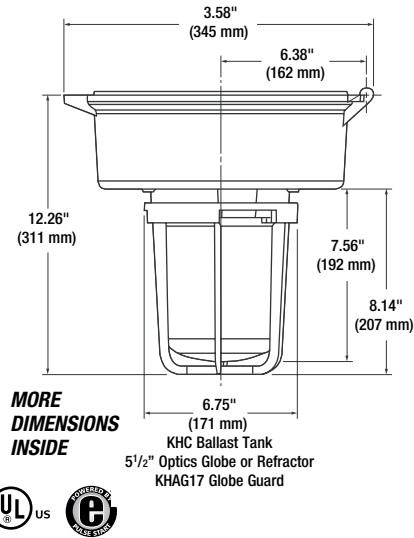
- For use in corrosive, harsh, hazardous applications such as chemical, petrochemical, marine, power generation, pharmaceutical, or food processing plants.

**SPECIFICATIONS**

- Mogul base socket cover selection of rigid and flexible pendant, ceiling, wall and 25° stanchion of varying threaded NPT entries.
- Minimum starting temp of -20°F for MH and -40°F for HPS.
- Copper-free (<0.4%) aluminum housing, cover and guard with tan Lektrocote® powder polyester paint finish provides excellent corrosion resistance from most chemicals. Color is tan
- Optic choices of impact-resistant glass globe, sym./asym. glass refractors, dome/angle fiberglass reinforced polyester reflector and 19" enclosed reflector and polycarbonate enclosed low bay.
- Modular design permits selection of cover, body, globe, guard and reflector for custom applications.

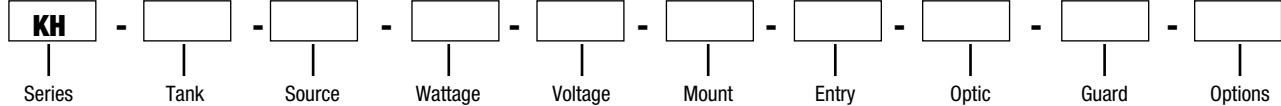
**LISTINGS**

- Class I, Div. 2, Groups A,B,C,D; Class II, Div. 1 & 2, Groups E,F,G; Class III Div 1/2; UL1598 wet location; NEMA 3, 4X, IP66 with K-G globe; 40°C ambient listed



**ORDERING INFORMATION**

ORDERING EXAMPLE: KH-D-H040-0-A-2-GL-G-QA



**SERIES**

**KH** Kemlux® III KH

**TANK**

- A** Low Wattage Medium Base 5"
- B** Low Wattage Medium Base 8"
- C** Low Wattage Mogul Base 5"
- D** Low Wattage Mogul Base 8"
- E** High Wattage Mogul Base 8"

**SOURCE**

- S** High Pressure Sodium
- H** Metal Halide
- P** Pulse Start Metal Halide

**WATTAGE**

- 05** 50 watt (HPS)
- 07** 70 watt (HPS, MH)
- 10** 100 watt (HPS, MH)
- 12** 125 watt (Pulse Start MH)
- 15** 150 watt (HPS)
- 17** 175 watt (Pulse Start MH)
- 20** 200 watt (HPS)
- 25** 250 watt (HPS, Pulse Start MH)
- 32** 320 watt (Pulse Start MH)
- 35** 350 watt (Pulse Start MH)
- 40** 400 watt (HPS, Pulse Start MH)

**VOLTAGE (@ 60 Hz)**

- 0** Quadri-Volt (120, 208, 240, 277V)
- 5** 480V
- 6** Tri-Tap Canada (120, 277, 347V)
- 7** 220V
- 8** 220/240V 50 Hz

**MOUNT**

- A** Pendant
- X** Ceiling
- B** Wall Bracket
- C** Cone Top
- D** Stanchion 25°
- S** Stanchion Straight 90°
- F** Flex Pendant
- N<sup>1</sup>** None (mount ordered separately)

**ENTRY (mounts available)**

- 2** 3/4" NPT (A, B, C, X)
- 3** 1" NPT (A, B, C, X)
- 4** 1 1/4" NPT (D, S)
- 5** 1 1/2" NPT (D, S)
- 6** 3/4" NPT 5-hub (X)
- 7** 1" NPT 5-hub (X)
- N** None (mount ordered separately)<sup>1</sup>

**OPTICS**

- GL** Globe
- EP** Polycarbonate shielded Enclosed Reflector\* (KHD & KHE only)
- ER** Enclosed Reflector (KHD & KHE only)
- R1** Type I Glass Refractor
- R3** Type III Glass Refractor (KHD only)
- R5** Type V Glass Refractor
- S2** Type II 12" Spin-Top Refractor<sup>5</sup>
- S8** Type V 8" Spin-Top Refractor (KHC only)<sup>5</sup>
- S5** Type V 12" Spin-Top Refractor<sup>5</sup>
- P5** Type V Plastic Spin-Top Refractor<sup>5</sup> (KHC only)

**OPTICS (CONT.)**

- FG** Tuffskin® Coated Globe<sup>2</sup>
- TG** Teflon® Coated Globe<sup>3</sup>
- T1** Teflon® Coated Globe Type I Glass Refractor<sup>3</sup>
- T2** Teflon® Coated Globe Type II 12" Spin-Top Refractor<sup>3</sup>
- T3** Teflon® Coated Globe Type III Glass Refractor<sup>3</sup> (KHD only)
- T5** Teflon® Coated Globe Type V Glass Refractor<sup>3</sup>
- T8** Teflon® Coated Globe Type V 8" Spin-Top Refractor<sup>3,5</sup> (KHC only)
- TV** Teflon® Coated Globe Type V 12" Spin-Top Refractor<sup>3,5</sup>

**GUARD**

- G** Globe Guard
- N** No Guard<sup>4</sup>

**OPTIONS**

- BP** Ballast Protector (250-400W HPS only)
- F1** Fusing - single 120V 60Hz<sup>7</sup>
- F2** Fusing - double 208V 60Hz<sup>7</sup>

**OPTIONS (CONT.)**

- F3** Fusing - double 240V 60Hz<sup>7</sup>
- F4** Fusing - single 277V 60Hz<sup>7</sup>
- F5** Fusing - double 480V 60Hz<sup>7</sup>
- F6** Fusing - single 347V 60Hz<sup>7</sup>
- F7** Fusing - double 220V 60Hz<sup>7</sup>
- F8** Fusing - double 230V 50Hz<sup>7</sup>
- P1** Photo Cell Factory 120V<sup>8,9</sup>
- P2** Photo Cell Factory 208-277V<sup>8,9</sup> (must specify voltage on order)
- P3** Photo Cell Factory 347V<sup>8,9</sup>
- Q1** Quick Disconnect wired at ballast to 120V<sup>10</sup>
- Q2** Quick Disconnect wired at ballast to 208V<sup>10</sup>
- Q3** Quick Disconnect wired at ballast to 240V<sup>10</sup>
- Q4** Quick Disconnect wired at ballast to 277V<sup>10</sup>
- Q5** Quick Disconnect wired at ballast to 480V<sup>10</sup>
- Q6** Quick Disconnect wired at ballast to 347V<sup>10</sup>
- Q7** Quick Disconnect wired at ballast to 220V<sup>10</sup>
- Q8** Quick Disconnect wired at ballast to 230V<sup>10</sup>
- TB** Terminal Blocks
- AS** Assembled Fixture with standard lamp
- AD** Assembled Fixture with DAT Dual-Arc-Tube lamp (250, 400W HPS only)
- CS** Component Pack with standard lamp
- CP** Component Pack - no lamp
- NR** Restricted Breathing<sup>4</sup>

1 **NN** mount ordered separately.  
 2 Tuffskin® is a registered trademark of Thomas Mfg. Corp.  
 3 Teflon® is a registered trademark of DuPont, Inc.  
 4 AEx nAR Restricted Breathing.  
 5 Order guards for Spin-Tops and KER40 separately.  
 6 Not for use with wall or straight (90°) stanchion  
 7 Fusing not for Marine or Canadian installations.  
 8 Photocells for Class I, Div. 2 only.  
 9 Field connection to proper tap in case of Multitap ballasts.  
 10 **QX** = Quick Disconnect. Allows easy tank removal for maintenance. Electrician simply unplugs de-energized ballast from supply circuit.  
 11 Due to EISA standard, MH from 150W to 500W is only available outside of the USA.

**ORDERING INFORMATION**

**KH ACCESSORIES**

(order as separate part #)

Catalog Number	Description
<b>K-SC9</b>	9' Safety Chain (large housing only)

**SUSPENSION DEVICES**

(order as separate part #)

Catalog Number	Tank	Description
<b>KAG17SC</b>	<b>KSC</b>	VMG17/VMR17X Support 18" Stainless Steel Aircraft Cable secures guard to tank to hold globe in guard (for lamp changing)
<b>KGR25SCR</b>	<b>KSD</b>	VMG25/VMR25X Support 24" Stainless Steel Aircraft Cable and Ring for globes and refractors for lamp changing; ring clamps to special ears on optic cable, twists to attach or detach from housing

NOTE: KHC and KSC suspension device attaches to guard (required). KHD and KSD suspension device attaches to optic and can be used with or without guard.

**KEMLUX III MOUNTING SPLICE BOXES**

Hub Size	Pendant	Flexible Pendant	Ceiling 4-Hub	Ceiling		Wall	Cone Top	25° Stanchion	90° Stanchion
				5-Hub	6-Hub				
3/4"	<b>KHA2B</b>	<b>KHF2B</b>	<b>KHX2B</b>	<b>KHX6B</b>	<b>KHB2B</b>	<b>KHC2B</b>	-	-	
1"	<b>KHA3B</b>	<b>KHF3B</b>	<b>KHX3B</b>	<b>KHX7B</b>	<b>KHB3B</b>	<b>KHC3B</b>	-	-	
1 1/4"	-	-	-	-	-	-	<b>KHD4B</b>	<b>KHS4B</b>	
1 1/2"	-	-	-	-	-	-	<b>KHD5B</b>	<b>KHS5B</b>	
M-20	-	-	<b>KHX8B</b>	<b>KHX9B</b>	-	-	-	-	

**KEMLUX III 50-600W BALLAST TANK ASSEMBLIES**

Watts	Catalog Number											
	High Pressure Sodium			Metal Halide			Pulse Start Metal Halide			Mercury Vapor		
	Low Wattage	High Wattage		Low Wattage	High Wattage		Low Wattage	High Wattage		Low Wattage	High Wattage	
	5 1/2"	7 3/4"	7 3/4"	5 1/2"	7 3/4"	7 3/4"	5 1/2"	7 3/4"	7 3/4"	5 1/2"	7 3/4"	7 3/4"
50	<b>KHCS05X</b>	<b>KHDS05X</b>	-	-	-	-	-	-	-	-	-	-
70	<b>KHCS07X</b>	<b>KHDS07X</b>	-	<b>KHCH07X</b>	<b>KHDH07X</b>	-	-	-	-	-	-	-
100	<b>KHCS10X</b>	<b>KHDS10X</b>	-	<b>KHCH10X</b>	<b>KHDH10X</b>	-	-	-	-	<b>KHCM10X</b>	<b>KHDM10X</b>	-
150	<b>KHCS15X</b>	<b>KHDS15X</b>	-	<b>KHCH15X</b>	<b>KHDH15X</b>	-	-	-	-	-	-	-
175	-	-	-	<b>KHCH17X</b>	<b>KHDH17X</b>	-	<b>KHCP17X</b>	<b>KHDP17X</b>	-	<b>KHCM17X</b>	<b>KHDM17X</b>	-
200	-	-	<b>KHES20X</b>	-	-	-	<b>KHCP05X</b>	<b>KHDP05X</b>	-	-	-	-
250	-	-	<b>KHES25X</b>	<b>KHCH25X</b>	<b>KHDH25X</b>	-	-	-	<b>KHEP25X</b>	<b>KHCM25X</b>	<b>KHDM25X</b>	-
320	-	-	-	-	-	-	-	-	<b>KHEP32X</b>	-	-	-
350	-	-	-	-	-	-	-	-	<b>KHEP35X</b>	-	-	-
400	-	-	<b>KHES40X</b>	-	-	<b>KHEH40X</b>	-	-	<b>KHEP40X</b>	-	-	<b>KHEM40X</b>

OPTIC: Place X with voltage: 0 = Quad-Tap, 6 = TriTap, 5 = 480V.



**REFLECTORS**



1 KHC 12" Spin Tops ship with a mogul-to-mogul extender for improved photometrics.  
2 Standard material: copper-free aluminum painted.  
3 Standard material: 316 stainless steel.

4 Standard material: plated steel.  
5 Alzak<sup>®</sup> is a registered trademark of Alcoa.

**PHOTOCONTROL FOR STANDARD AND HAZARDOUS CLASS I DIVISION 2<sup>1</sup>**

Catalog Number	Volts	Frequency	Watts
<b>HUB2PC120</b>	120VAC	50/60 Hz	400
<b>HUB2PC277<sup>2</sup></b>	208-277VAC	50/60 Hz	400
<b>HUB2PC347</b>	347VAC	50/60 Hz	400

1 Photocontrol cells for Class I Division 2 only. 2 Marked 220-277V, suitable for 208V.  
NOTE: Patent Pending.

**DARK SKY KITS**

(order as separate part #)

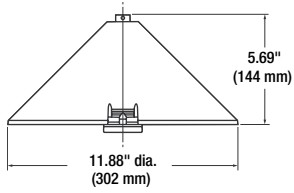
Catalog No.	Description
<b>KDARK1</b>	Gasket Kit: on KSD "Full Cutoff" when used w/ HRD400 or HRD400ALZ

**KER40** Enclosed Reflector: "Full Cutoff" on KSC & KSD

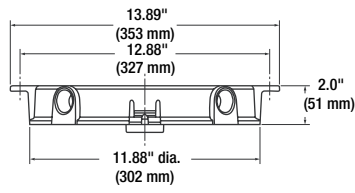
NOTE: Kemplux III luminaires may be configured for "Full Cutoff" or Semi-Cutoff photometric distribution. Local requirements dictate which parameter is required.

**DIMENSIONS**

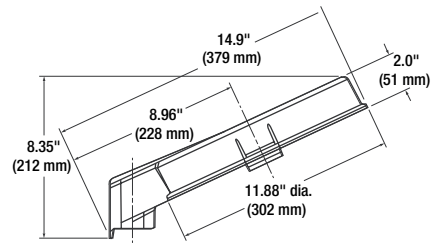
**mounting adapters**



**Cone Mount**

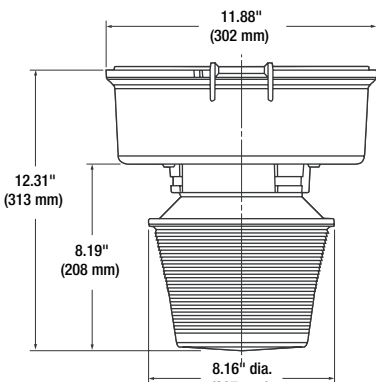


**Ceiling Mount**

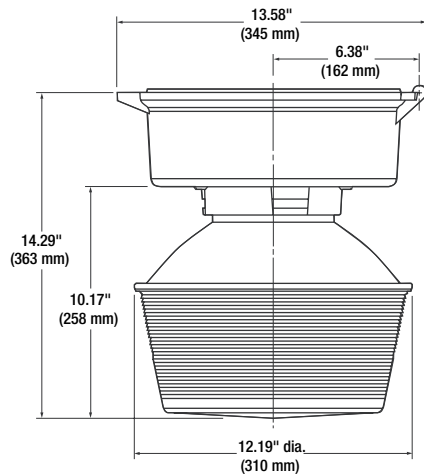


**Stanchion (25°) Mount**

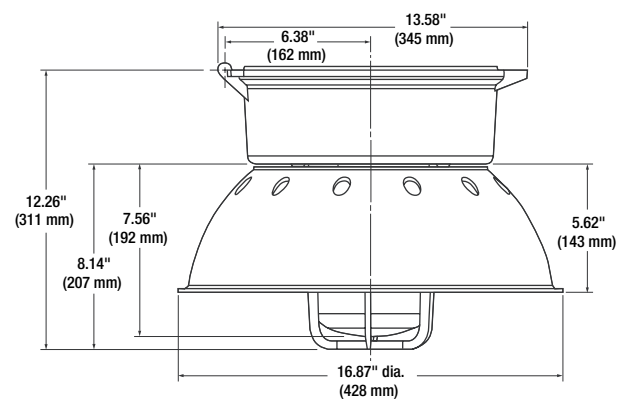
**KHC housing**



**KHC Ballast Tank  
KZRG1550 8" Spun  
Refractor**

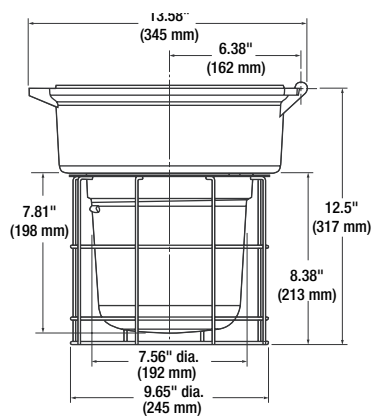


**KHC Ballast Tank  
KZRG 12" Spun  
Refractor**

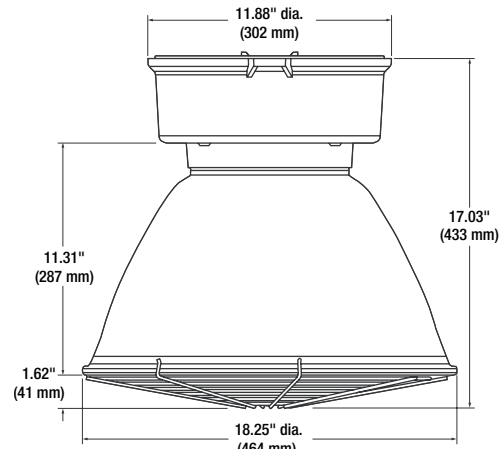


**KHC Ballast Tank  
KG17 5 1/2" Optics Globe  
KP5D40 Dome Reflector**

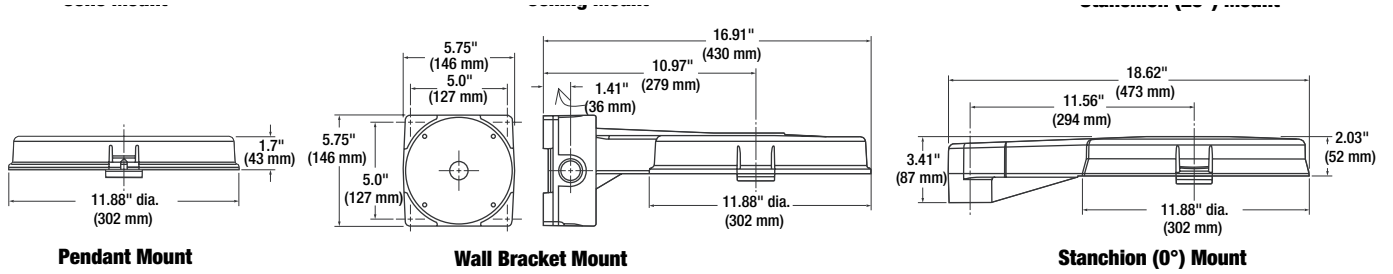
**KHD housing**



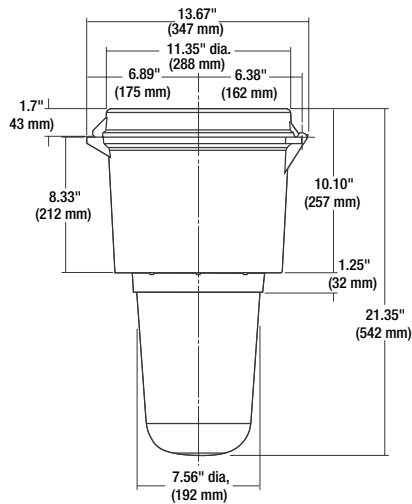
**KXD Ballast Tank  
KG25 7 1/2" Optics Globe  
or K825 Refractor  
KAG25 Wire Guard**



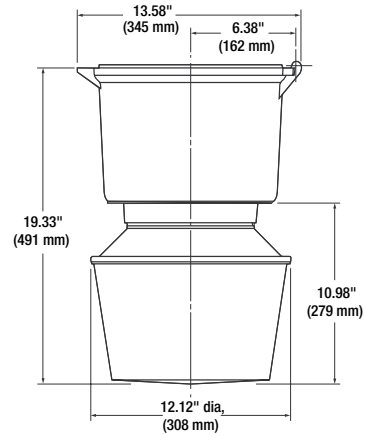
**KXD Ballast Tank  
KER40 Enclosed Reflector  
KERG Guard**



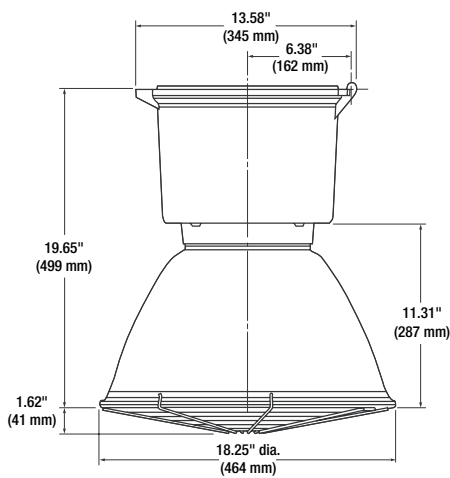
**KHE housing**



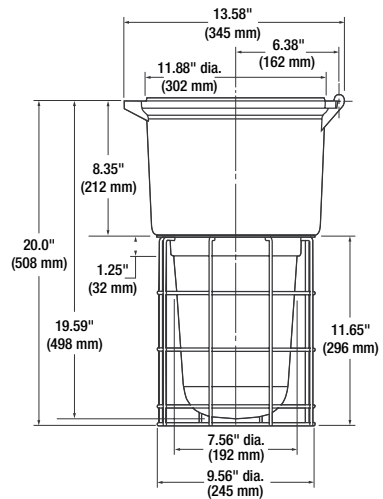
**KXE Ballast Tank  
 KG40 Optics Globe**



**KXE Ballast Tank  
 12" Spun Top Refractor Optics**



**KXE Ballast Tank  
 KER40 Enclosed Reflector  
 KERG Wire Guard**



**KXE Ballast Tank  
 KG40 Optics Globe  
 KAG40S Wire Guard**

**T RATINGS**

**KHC/KHD SERIES THERMAL PERFORMANCE DATA<sup>1</sup>**

Description		Ambient	Globe	KHC SERIES <sup>2</sup>				KHD SERIES <sup>2</sup>				Supply	
Lamp	Lamp			Globe w/	Refractors	Globe	Globe w/	Refractor	Encl. Reflectors				
HPS	50	40	T3	T3	T3	T3	T3A	T3C	T3C	T3C	T3C	T3C	60
HPS	70	40	T3	T3	T3	T3A	T3A	T3A	T3A	T3A	T3A	T3A	60
HPS	100	40	T2D	T2D	T3D	T3	T3	T2D	T3	T3	T3	T3	75
HPS	150	40	T2B	T2B	T3B	T2B	T2B	T2B	T2B	T2B	T2B	T2B	90
MH	70	40	T3B	T3A	T3B	T3C	T3C	T3C	T3C	T3C	T3C	T3C	75
MH	100	40	T3	T3	T3A	T3CA	T3A	T3A	T3A	T3A	T3A	T3A	75
MHP	175	40	T2A	T2A	T2A	T2B	T2B	T2B	T2B	T2B	T2B	T2B	90
MHP	200	40	T2A	T2A	T2A	T2B	T2B	T2B	T2B	T2B	T2B	T2B	90
MHP	250	40	325°C	325°C	325°C	T2	T2	T2	T2	T2	T2	T2	90

<sup>1</sup> KHC Series accepts 5 1/2" threaded optics. KHD Series accepts 7 3/4" optics.

**KHC/KHD SERIES THERMAL PERFORMANCE DATA<sup>1</sup>**

Description		Ambient	KHC SERIES <sup>2</sup>		KHD SERIES <sup>2</sup>			Supply
Lamp	Lamp		Globe	Globe w/	Globe	Globe w/	Encl. Reflectors	
HPS	50	40	T6	T5	T6	T6	T6	60
HPS	70	40	T6	T5	T6	T6	T6	60
HPS	100	40	T5	T5	T6	T6	T6	75
HPS	150	40	T4	T4	T4	T4	T4	90
MH	70	40	T5	T5	T6	T6	T6	75
MH	100	40	T4	T4	T6	T6	T6	75
MH	175	40	T3	T3	T4	T4	T4	90
MH	250	40	T3	T3	T3	T3	T3	90
MHP	175	40	T3	T3	T4	T4	T4	90
MHP	200	40	T3	T3	T4	T4	T4	90
MV	100	40	T4	T4	T6	T6	T6	75
MV	175	40	T3	T3	T4	T4	T4	90
MV	250	40	T3	T3	T3	T3	T3	110

<sup>1</sup> Data does not apply to luminaires with auxiliary quartz lighting; consult factory with requirements. The suitability of these fixtures for Class 1 Division 2/zone 2 locations must be determined for each application based on NEC® Articles 501.125(B) or 505.

<sup>2</sup> KHC Series accepts 5 1/2" threaded optics. KHD Series accepts 7 3/4" optics.

**KHC/KHD SERIES THERMAL PERFORMANCE DATA<sup>1</sup>**

Description		Ambient	KHC SERIES <sup>2</sup>				KHD SERIES <sup>2</sup>			Supply
Lamp	Lamp		Globe	Globe w/	Refractors	Globe	Globe w/	Encl. Reflectors		
HPS	50	40	T3	T3	T3	T3	T3B	T3B	T3B	60
HPS	70	40	T2D	T2D	T3	T3	T3	T3	T3	60
HPS	100	40	T2C	T2C	T2C	T2C	T2D	T2D	T2D	75
HPS	150	40	T2A	T2A	T2A	T2A	T2B	T2B	T2B	90
MH	70	40	T3	T3	T3	T3	T3B	T3B	T3B	75
MH	100	40	T2D	T2D	T2D	T2D	T3	T3	T3	75
MH	175	40	-	-	-	-	T2A	T2A	T2A	90
MH	250	40	-	-	-	-	325°C	325°C	325°C	90
MHP	175	40	-	-	-	-	T2A	T2A	T2A	90
MHP	200	40	-	-	-	-	T2A	T2A	T2A	90
MV	100	40	T2B	T2B	T2B	T2B	T2B	T2B	T2B	90
MV	175	40	-	-	-	-	T2A	T2A	T2A	90
MV	250	40	-	-	-	-	350°C		350°C	110

<sup>1</sup> Data does not apply to luminaires with auxiliary quartz lighting; consult factory with requirements. The suitability of these fixtures for Class 1 Division 2/zone 2 locations must be determined for each application based on NEC® Articles 501.125(B) or 505.

<sup>2</sup> KHC Series accepts 5 1/2" threaded optics. KHD Series accepts 7 3/4" optics.

## T RATINGS

### KHC/KHD SERIES THERMAL PERFORMANCE DATA<sup>1</sup>

Description Lamp	KHC SERIES <sup>2</sup>												KHD SERIES <sup>2</sup>		
	Lamp	Ambient	Globe	Globe w/				Refractors	Globe	Globe w/	Refractor	Encl. Reflectors	Supply		
HPS	50	40	T3C	T3C	T3C	T3C	T3C	T3B	T3B	T3B	T3B	T3B	60		
HPS	70	40	T4A	T4A	T4A	T4A	T4A	T4A	T3B	T3B	T3B	T3B	60		
HPS	100	40	T3C	T3C	T3C	T3C	T3C	T3C	T3B	T3B	T3B	T3B	75		
HPS	150	40	T3C	T3C	T3C	T3C	T3C	T3C	T3B	T3B	T3B	T3B	90		
MH	70	40	T3C	T3C	T3C	T3C	T3C	T3C	T3B	T3B	T3B	T3B	75		
MH	100	40	T3C	T3C	T3C	T3C	T3C	T3C	T3B	T3B	T3B	T3B	75		
MHP	175	40	-	-	-	-	-	+	T3B	T3B	T3B	T3B	90		
MHP	200	40	-	-	-	-	-	+	T3B	T3B	T3B	T3B	90		
MHP	250	40	-	-	-	-	-	+	T3B	T3B	T3B	T3B	90		

<sup>1</sup> KHC Series accepts 5 1/2" threaded optics. KHD Series accepts 7 3/4" optics.

<sup>2</sup> Luminaires rated for Group G (<= 165°C), T3B are also suitable for Class III applications; Luminaires rated for E & F <= 200°C (T3).

+ Consult factory for elevated ambient information.

### KHE SERIES THERMAL PERFORMANCE DATA<sup>1</sup>

Description Lamp	CLASS I DIVISION 2 Groups A, B, C, D/ZONE 2 Groups IIC, IIB, IIA							CLASS I ZONE 2 AEx nAR, IIB, IIA "Restricted Breathing"				
	Lamp	Ambient	Globe	Globe w/	Refractor	Enclosed Reflectors		Globe	Globe w/	Enclosed Reflectors		Supply
HPS	200	40	T2	T2	T2	T2A	T2A	T4	T4	T4	T4	90
HPS	250	40	325°C	325°C	325°C	T2A	T2A	T4	T4	T4	T4	90
HPS	400	40	350°C	350°C	350°C	350°C	350°C	T3	T3	T3	T3	90
MHP	250	40	T2	T2	T2	T2	T2	T3	T3	T3	T3	90
MHP	320	40	T2A	T2A	T2A	T2A	T2A	T3	T3	T3	T3	90
MHP	350	40	T2A	T2A	T2A	T2A	T2A	T3	T3	T3	T3	90
MHP	400	40	T2A	T2A	T2A	T2A	T2A	T3	T3	T3	T3	90

+ Consult factory for elevated ambient information.

### KHE SERIES THERMAL PERFORMANCE DATA<sup>1,2</sup>

Description Lamp	CLASS II DIVISION 1 & 2 Groups E, G, & CLASS III							SIMULTANEOUS PRESENCE					
	Lamp	Ambient	Globe	Globe w/	Refractor	Enclosed Reflectors		Globe	Globe w/	Refractor	Enclosed Reflectors		Supply
HPS	200	40	T3C	T3C	T3C	T3C	T3C	325°C	325°C	325°C	T2	T2	90
HPS	250	40	T3A	T3A	T3C	T3C	T3C	350°C	350°C	350°C	T2	T2	90
HPS	400	40	-	-	T3C	T3C	T3C	-	-	T1	T1	T1	90
MHP	250	40	T3A	T3A	T3C	T3C	T3C	325°C	325°C	325°C	325°C	325°C	90
MHP	320	40	T3A	T3A	T3C	T3C	T3C	T2	T2	T2	T2	T2	90
MHP	350	40	T3A	T3A	T3C	T3C	T3C	T2	T2	T2	T2	T2	90
MHP	400	40	T3A	T3A	T3C	T3C	T3C	T2	T2	T2	T2	T2	90

<sup>1</sup> Table shows lamp temperature inside dust covered optic - see Class II table for Groups E, F, G and Class III data.

+ Consult factory for elevated ambient information.

Due to our continued efforts to improve our products, product specifications are subject to change without notice.



Hubbell Industrial Lighting • 701 Millennium Boulevard • Greenville, SC 29607 • PHONE: 864-678-1000

For more information visit our web site: [www.hubbell-itg.com](http://www.hubbell-itg.com)

Industrial Lighting