

Cat. #		Approvals
Job	Type	

**SPECIFICATIONS**

**Intended use:**

- For use in corrosive, wet and dirty industrial applications such as power generation, waste water and sewage treatment, pulp/paper or steel mills

**Construction:**

- Copper-free (<0.4%) aluminum housing, cover and guard with gray Lektrocote® powder polyester paint finish provides excellent corrosion resistance from most chemicals; Color is gray
- Modular design permits selection of cover, body, globe, guard and reflector for custom applications
- Cover selection of rigid and flexible pendant, ceiling, wall and 25° stanchion of varying threaded NPT entries.
- Minimum starting temp of -20°F for KS/MH and -40°F for HPS

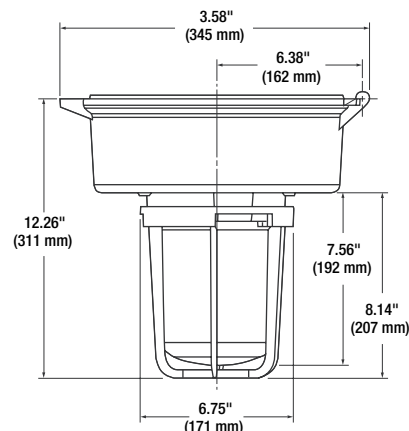
**Optics:**

- Optic choices of impact-resistant glass globe, dome/angle fiberglass reinforced polyester reflector and 19" enclosed reflecto, and polycarbonate enclosed lowbay. Unit shown with optional globe guard

**LISTINGS**

- Listed to UL1598 for use in wet locations; NEMA 4X with KG17 globe, 55°C ambient listed

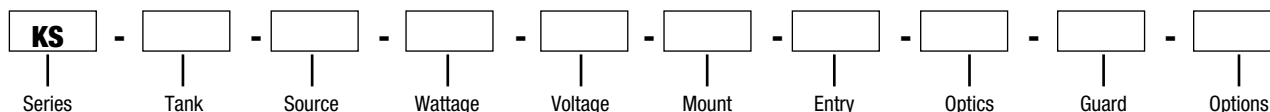
**MORE DIMENSIONS  
INSIDE & ON BACK**



**KS Ballast Tank  
5 1/2" Optics Globe or Refractor  
KSAG17 Globe Guard**

**ORDERING INFORMATION**

ORDERING EXAMPLE: KS-D-H-40-0-A-2-GL-G-QA



**SERIES**

**KS** Kemplux® III KS

**TANK**

- A** Low wattage medium base 5"
- B** Low wattage medium base 8"
- C** Low wattage mogul base 5"
- D** Low wattage mogul base 8"
- E** High wattage mogul base 8"

**SOURCE**

- S** High Pressure Sodium
- H** Metal Halide<sup>3</sup>
- P** PSMH

**WATTAGE**

- 05** 50w (HPS)
- 07** 70w (HPS, MH)
- 10** 100w (HPS, MH)
- 12** 125w (PSMH)
- 15** 150w (HPS)
- 17** 175w (PSMH)
- 20** 200w (HPS, PSMH)
- 25** 250w (HPS, PSMH)
- 32** 320w (PSMH)
- 35** 350w (PSMH)
- 40** 400w (HPS, MH, PSMH)

**VOLTAGE (@ 60 Hz)**

- 0** Quadri-Volt (120, 208, 240, 277V)
- 5** 480V
- 6** Tri-Tap Canada (120, 277, 347V)
- 7** 220V
- 8** 220/240V 50 Hz

**MOUNT**

- A** Pendant
- X** Ceiling
- B** Wall bracket
- C** Cone tTop
- D** Stanchion 25°
- S** Stanchion straight 90°
- F** Flex pendant
- N** None (mount ordered separately)<sup>1</sup>

**ENTRY (mounts available)**

- 2** 3/4" NPT (A, B, C, X)
- 3** 1" NPT (A, B, C, X)
- 4** 1 1/4" NPT (D, S)
- 5** 1 1/2" NPT (D, S)
- 6** 3/4" NPT 5-hub (X)
- 7** 1" NPT 5-hub (X)
- N** None (mount ordered separately)<sup>1</sup>

**OPTICS**

- GL** Globe
- ER** Enclosed reflector (KSD & KSE only)
- EP** Polycarbonate shielded enclosed reflector (KSD & KSE only)<sup>4</sup>
- S2** Type II 12" spin-top refractor<sup>4</sup>
- S8** Type V 8" spin-top refractor<sup>4</sup> (KSC & KSE only)
- S5** Type V 12" spin-top refractor<sup>4</sup>
- P5** Type V Plastic spin-top refractor<sup>4</sup> (KSC only)
- FG** Tuffskin® coated globe<sup>2</sup>
- TG** Teflon® coated globe<sup>3</sup>
- T1** Teflon® coated globe Type I glass refractor<sup>2</sup>

**OPTICS con't**

- T2** Teflon® coated globe Type II 12" spin-top refractor<sup>3,4</sup>
- T3** Teflon® coated globe Type III glass refractor<sup>3</sup> (KSD only)
- T5** Teflon® coated globe Type V glass refractor<sup>3</sup>
- TV** Teflon® coated globe Type V 12" spin-top refractor<sup>3,4</sup>
- R1** Type I glass refractor
- R3** Type III glass refractor (KSD only)
- R5** Type V glass refractor

**GUARD**

- G** Globe guard
- N** No guard<sup>4</sup>

**OPTIONS**

- QA** Quartz auxiliary
- BP** Ballast protector (250-400W HPS only)
- F1** Fusing - single 120V 60Hz<sup>5</sup>
- F2** Fusing - double 208V 60Hz<sup>5</sup>
- F3** Fusing - double 240V 60Hz<sup>5</sup>

**OPTIONS con't**

- F4** Fusing - single 277V 60Hz<sup>5</sup>
- F5** Fusing - double 480V 60Hz<sup>5</sup>
- F6** Fusing - single 347V 60Hz<sup>5</sup>
- F7** Fusing - double 220V 60Hz<sup>5</sup>
- F8** Fusing - double 230V 50Hz<sup>5</sup>
- P1** Photo cell 120V<sup>6</sup>
- P2** Photo cell 208-277V (must specify voltage on order)<sup>6</sup>
- P3** Photo cell 347V<sup>6</sup>
- Q1** Quick disconnect wired at ballast to 120V<sup>7</sup>
- Q2** Quick disconnect wired at ballast to 208V<sup>7</sup>
- Q3** Quick disconnect wired at ballast to 240V<sup>7</sup>
- Q4** Quick disconnect wired at ballast to 277V<sup>7</sup>
- Q5** Quick disconnect wired at ballast to 480V<sup>7</sup>
- Q6** Quick disconnect wired at ballast to 347V<sup>7</sup>
- Q7** Quick disconnect wired at ballast to 220V<sup>7</sup>
- Q8** Quick disconnect wired at ballast to 230V<sup>7</sup>
- TB** Terminal blocks
- AS** Assembled fixture with standard lamp
- AD** Assembled fixture with DAT Dual-Arc-Tube lamp (250, 400W HPS only)
- CS** Component pack with standard lamp
- CP** Component pack - no lamp

1 **NN** mount ordered separately.  
2 Tuffskin® is a registered trademark of Thomas Mfg. Corp.  
3 Teflon® is a registered trademark of DuPont, Inc.  
4 Order guards for spin-tops & KER40 separately.  
5 Fusing not for Marine or Canadian installations.  
6 Field connection to proper tap in case of Multitap ballasts.  
7 **QX** = Quick Disconnect. Allows easy tank removal for maintenance. Electrician simply unplugs de-energized ballast from supply circuit.  
8 Not for use with wall or straight (90°) stanchion  
9 Due to ESA standard, MH from 150W to 500W is only available outside of the USA

**ORDERING INFORMATION**

**KS ACCESSORIES**

(order as separate part #)

Catalog Number	Description	Weight lbs (kg)
<b>K-SC6</b>	6' Safety Chain (large housing only)	1 (0.5)

**PHOTOCONTROL FOR STANDARD AND HAZARDOUS CLASS I DIVISION 2<sup>1</sup>**

Catalog Number	Volts	Frequency	Watts
<b>HUB2PC120</b>	120VAC	50/60 Hz	400
<b>HUB2PC277<sup>1</sup></b>	277VAC	50/60 Hz	400
<b>HUB2PC347</b>	347VAC	50/60 Hz	400

<sup>1</sup> Marked 220-277V, suitable for 208V. NOTE: Patent Pending.

**KEMLUX III MOUNTING SPLICE BOXES**

Hub Size	Catalog Number							
	Pendant	Flexible Pendant	Ceiling 4-Hub	Ceiling 5-Hub	Wall	Cone Top	25° Stanchion	90° Stanchion
3/4"	<b>KSA2B</b>	<b>KSF2B</b>	<b>KSX2B</b>	<b>KSX6B</b>	<b>KSB2B</b>	<b>KSC2B</b>	-	-
1"	<b>KSA3B</b>	<b>KSF3B</b>	<b>KSX3B</b>	<b>KSX7B</b>	<b>KSB3B</b>	<b>KSC3B</b>	-	-
1 1/4"	-	-	-	-	-	-	<b>KSD4B</b>	<b>KSS4B</b>
1 1/2"	-	-	-	-	-	-	<b>KSD5B</b>	<b>KSS5B</b>
M-20	-	-	<b>KSX8B</b>	<b>KSX9B</b>	-	-	-	-

**KEMLUX III 50-600W BALLAST TANK ASSEMBLIES**

Watts	High Pressure Sodium					Pulse Start Metal Halide				
	Low Wattage Medium		Low Wattage Mogul		High Wattage Mogul	Low Wattage Medium		Low Wattage Mogul	High Wattage Mogul	
	5 1/2"	7 3/4"	5 1/2"	7 3/4"	7 3/4"	5 1/2"	7 3/4"	5 1/2"	7 3/4"	7 3/4"
50	<b>KSAS05X</b>	<b>KSBS05X</b>	<b>KSCS05X</b>	<b>KSDS05X</b>	-	<b>KSAH05X</b>	<b>KSBH05X</b>	-	-	-
70	<b>KSAS07X</b>	<b>KSBS07X</b>	<b>KSCS07X</b>	<b>KSDS07X</b>	-	<b>KSAH07X</b>	<b>KSBH07X</b>	<b>KSCH07X</b>	<b>KSDH07X</b>	-
105	<b>KSAS10X</b>	<b>KSBS10X</b>	<b>KSCS10X</b>	<b>KSDS10X</b>	-	<b>KSAH10X</b>	<b>KSBH10X</b>	<b>KSCH10X</b>	<b>KSDH10X</b>	-
150	<b>KSAS15X</b>	<b>KSBS15X</b>	<b>KSCS15X</b>	<b>KSDS15X</b>	-	-	-	-	-	-
175	-	-	-	-	-	-	-	<b>KSCP17X</b>	<b>KSDP17X</b>	-
200	-	-	-	-	<b>KSES20X</b>	-	-	<b>KSCP20X</b>	<b>KSDP20X</b>	-
250	-	-	-	-	<b>KSES25X</b>	-	-	-	-	<b>KSEP25X</b>
320	-	-	-	-	-	-	-	-	-	<b>KSEP32X</b>
350	-	-	-	-	-	-	-	-	-	<b>KSEP35X</b>
400	-	-	-	-	<b>KSES40X</b>	-	-	-	-	<b>KSEP40X</b>

NOTE: Replace X with voltage: 0 = Quad-Tap<sup>®</sup>, 6 = TriTap, 5 = 480V.

**OPTICS**

	<b>GL</b>	<b>R5 R1S</b>	<b>S8</b>	<b>S5 S2</b>	<b>GL</b>	<b>R5 R3 R1</b>	<b>GL</b>	<b>ER</b>	<b>S5 S2</b>	<b>EP</b>
										
<b>GUARDS</b>										
	<b>KSAG17<sup>2</sup></b>	<b>KSAG17<sup>2</sup></b>	<b>KRWG8<sup>4</sup></b>	<b>KRWG<sup>4</sup></b>	<b>KAG25S<sup>3</sup></b>	<b>KAG25S<sup>3</sup></b>	<b>KAG40S<sup>3</sup></b>	<b>KERG<sup>3</sup></b>	<b>KRWG<sup>4</sup></b>	<b>WG-23</b>

**REFLECTORS**

				
<b>KPSD40</b> Standard Dome Fiberglass White Reflector Dia: 16"	<b>KPA40</b> Angle Fiberglass White Reflector Dia: 16"	<b>HRD400</b> Deep Aluminum White Reflector Dia: 21"	<b>HRD400ALZ</b> Deep Aluminum Anodized Finish Reflector Dia: 21"	<b>KAGBC</b> Bottom Enclosure for KAG25S/SAG40S

1 KHC 12" Spin Tops ship with a mogul-to-mogul extender for improved photometrics.  
2 Standard material: copper-free aluminum painted.  
3 Standard material: 316 stainless steel.

4 Standard material: plated steel.  
5 Alzak<sup>®</sup> is a registered trademark of Alcoa.

**ORDERING INFORMATION**

**SUSPENSION DEVICES**

(order as separate part #)

Catalog Number	Tank	Description
<b>KAG17SC</b>	<b>KSC</b>	VMG17/VMR17X Support 18" Stainless Steel Aircraft Cable secures guard to tank to hold globe in guard (for lamp changing)
<b>KGR25SCR</b>	<b>KSD</b>	VMG25/VMR25X Support 24" Stainless Steel Aircraft Cable and Ring for globes and refractors for lamp changing; ring clamps to special ears on optic cable, twists to attach or detach from housing

NOTE: KHC and HSC suspension device attaches to guard (required). KHD and KSD suspension device attaches to optic and can be used with or without guard.

**DARK SKY KITS**

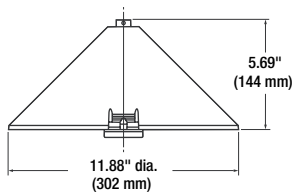
(order as separate part #)

Catalog No.	Description
<b>KDARK1</b>	Gasket Kit: on KSD "Full Cutoff" when used w/ HRD400 or HRD400ALZ
<b>KER40</b>	Enclosed Reflector: "Full Cutoff" on KSC & KSD

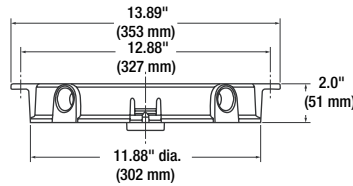
NOTE: Kemplux III luminaires may be configured for "Full Cutoff" or Semi-Cutoff photometric distribution. Local requirements dictate which parameter is required.

**DIMENSIONS**

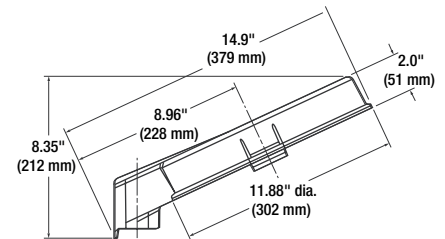
**mounting adapters**



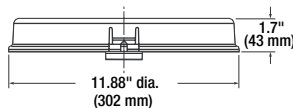
**Cone Mount**



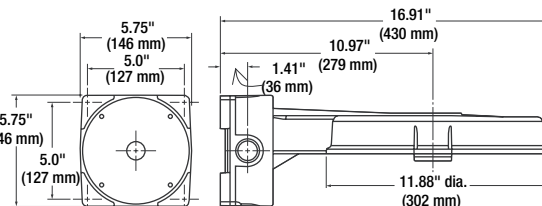
**Ceiling Mount**



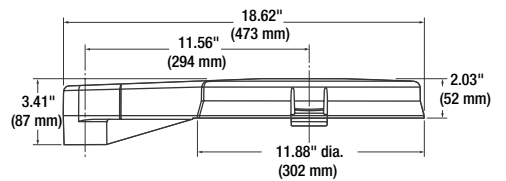
**Stanchion (25°) Mount**



**Pendant Mount**

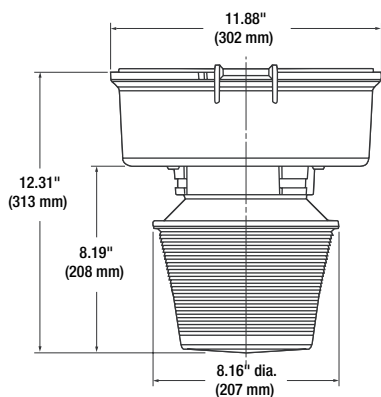


**Wall Bracket Mount**

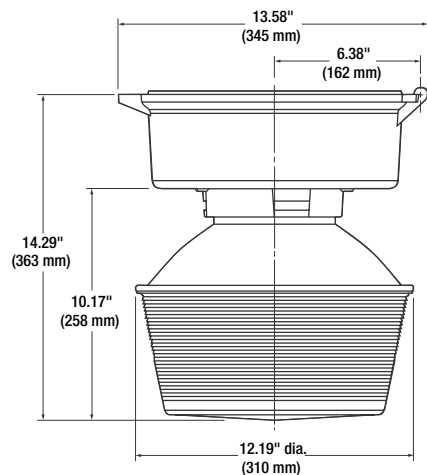


**Stanchion (0°) Mount**

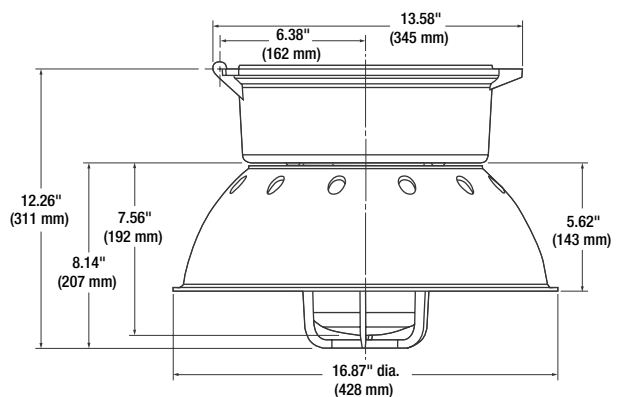
**KXC housing**



**KSC Ballast Tank  
KZRG1550 8" Spun Refractor**



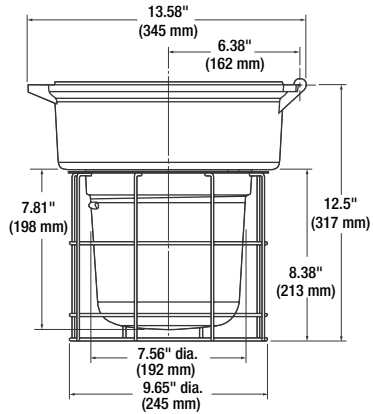
**KSC Ballast Tank  
KZRG 12" Spun Refractor**



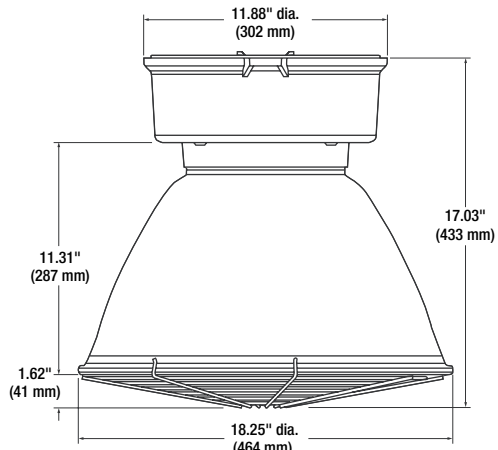
**KSC Ballast Tank  
KG17 5 1/2" Optics Globe  
KPSD40 Dome Reflector**

**ORDERING INFORMATION**

**KXD housing**

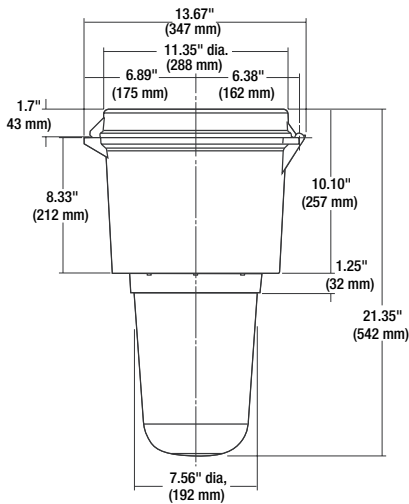


**KXD Ballast Tank  
KG25 7<sup>3</sup>/<sub>4</sub>\" Optics Globe or KR25  
Reflector  
KAG25S Wire Guard**

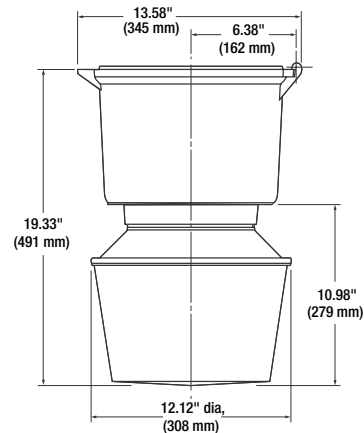


**KXD Ballast Tank  
KER40 Enclosed Reflector  
KERG Guard**

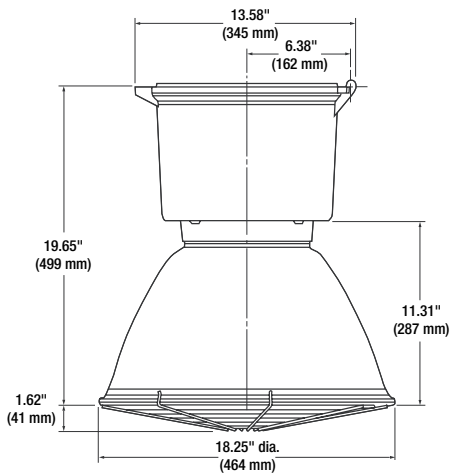
**KXE housing**



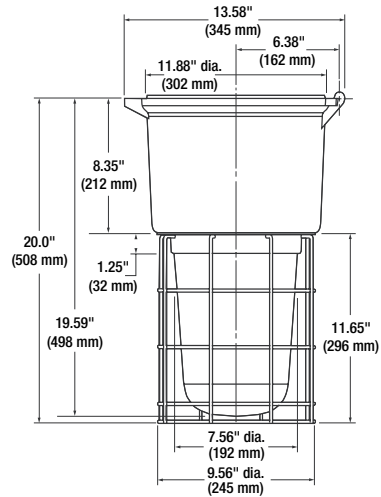
**KXE Ballast Tank  
KG40 Optics Globe**



**KXE Ballast Tank  
12\" Spun Top Reflector Optics**



**KXE Ballast Tank  
KER40 Enclosed Reflector  
KERG Wire Guard**



**KXE Ballast Tank  
KG40 Optics Globe  
KAG40S Wire Guard**

Due to our continued efforts to improve our products, product specifications are subject to change without notice.



Hubbell Industrial Lighting • 701 Millennium Boulevard • Greenville, SC 29607 • PHONE: 864-678-1000  
For more information visit our web site: [www.hubbell-ltg.com](http://www.hubbell-ltg.com)