

# KEMLUX III SERIES HAZARDOUS LOCATION FLOOD



HUBBELL  
Industrial Lighting

CAT.#	APPROVALS
JOB	TYPE

## SPECIFICATIONS

### Applications -

Designed to efficiently light corrosive and Hazardous applications such as chemical, petrochemical, marine, power generation, pharmaceutical or food processing plants.

### Construction -

- Vertically finned cast aluminum housing for maximum heat dissipation ensuring long component life and performance
- Separate hinged optical and electrical compartments for optimum component operation and easy installation, maintenance.
- One piece molded silicone gasket ensures weather proof seal around each individual LED; Stamped bezel provides mechanical compression to seal the optical assembly
- Yoke mount for CID2 floodlighting applications
- Specialized thermal management allows up to 40°C ambient temperature ratings
- Copper-free (<0.4%) aluminum housing and cover with tan Lektrocote® powder polyester paint finish provides excellent corrosion resistance from most chemicals
- Fixture weight: 29 lbs. Shipped weight: 33 lbs.

### Optics/Electrical System -

- Custom engineered LED optics providing optimally controlled and evenly distributed light
- Three distinct distributions: Type V square, Type V rectangle and Narrow

### LED Light Engine -

- High output LEDs delivering up to 105 lumens per watt
- CCT: 5100K
- 18, 24 and 36 LEDs on up to six individual light engines providing fail-safe redundancy

### LED Driver -

- Transient voltage protection with standard 10KVA surge suppressor
- Thermal compensation management
- Wattage: 43-86
- Minimum operating temperature of -40°C to 40°C

### Listings -

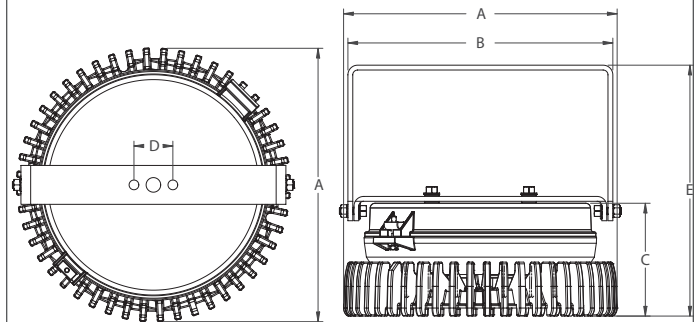
- Listed to UL844 for use in hazardous locations
- CSA Listed to UL1598 Wet Location
- Class I, Division 2, Groups A, B, C & D; T-code of 5

### Warranty -

- Five years from date of purchase



## DIMENSIONS



A	B	C	D	E
14"	13.625"	6"	2"	13"



## ORDERING INFORMATION

ORDERING EXAMPLE: KHL-36L-U-5K-N-C-2-TN-WG

KHL			5K		Y	2	TN	
Series	# of LEDs	Voltage	Color Temperature	Optics	Mount	Hub	Colors	Options

### SERIES

KHL Kemlux III LED

### NUMBER OF LEDs

18L 18 High Performanc LEDs (43 watts)

24L 24 High Performanc LEDs (57 watts)

36L 36 High Performanc LEDs (86 watts)

### VOLTAGE

U 120 - 277

1 120

2 208

3 240

4 277

5 480

6 347

### COLOR TEMPERATURE

5K 5000° Kelvin

### OPTICS

5M Type V Square

5R Type V Rectangle

N Narrow

### MOUNT

Y Yoke Mount

### HUB

2 3/4"

### COLORS

TN Tan

### OPTIONS

F(x) Fusing<sup>1</sup>

WG Wire Guard

Notes:  
1. Fusing 1-120V, 2-208V, 3-240V, 4-277V, 6-347V

## LED SYSTEM INFORMATION

NUMBER OF LED's	DRIVE CURRENT (MILLIAMPS)	INPUT WATTS	DISTRIBUTION	TOTAL LUMENS	LUMENS PER WATT	HID EQUIVALENT
18	STD. (700 MA)	43	N	4410	103	100w HID
			5M	4323	101	
			5R	4405	102	
24		57	N	5988	105	175w HID
			5M	5712	100	
			5R	5896	103	
36		86	N	9004	105	250w HID
			5M	8473	99	
			5R	8747	102	

<sup>1</sup>Lumen values are from photometric tests performed in accordance with IESNA LM-79-08. Data is considered to be representative of the configurations shown. Actual performance may differ as a result of end-user environment and application.

## PROJECTED LUMEN MAINTENANCE

AMBIENT TEMPERATURE	0	25,000	50,000	<sup>1</sup> TM-21-11 60,000	100,000	CALCULATED L70 (HOURS)
10°C / 50°F	1.01	1.00	0.99	0.99	0.97	>1,085,000
25°C / 77°F	1.00	0.99	0.98	0.98	0.96	>1,085,000
40°C / 104°F	0.99	0.98	0.96	0.96	0.94	>706,000

<sup>1</sup> Projected per IESNA TM-21-11  
Data references the extrapolated performance projections for the SCP-36LU-5K base model in a 40°C ambient, based on 10,000 hours of LED testing per IESNA LM-80-08.

## ELECTRICAL DATA

NUMBER OF LED's	NUMBER OF DRIVERS	DRIVE CURRENT (MILLIAMPS)	INPUT VOLTAGE (V)	SYSTEM POWER (W)	CURRENT (AMPS)	T-CODE
18	1	STD. (700 MA)	120	43	0.36	T5
			277	43	0.20	
			347	43	0.13	
			480	43	0.11	
24	2		120	57	0.48	T5
			277	57	0.24	
			347	57	0.17	
			480	57	0.13	
36	3		120	86	0.73	T5
			277	86	0.35	
			347	86	0.25	
			480	86	0.20	

**PHOTOMETRIC REPORT**

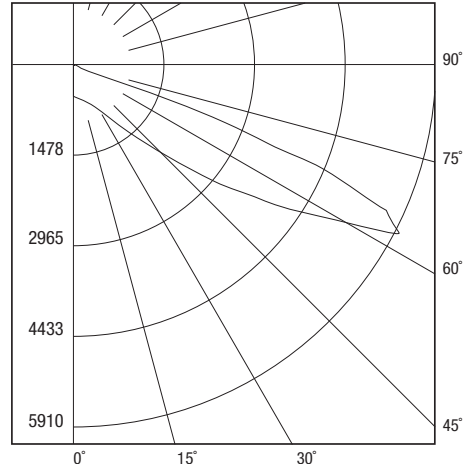
**REPORT NUMBER:** KXL-36L-X-5K-5M

**LUMINANCE DATA** (cd/sq.m)

ANGLE IN DEGREES	AVERAGE 0-DEG	AVERAGE 45-DEG	AVERAGE 90-DEG
45	36714	38224	36501
55	64143	91715	63284
65	47593	182242	47788
75	2539	17775	2645
85	1257	1571	1414

**ZONAL LUMEN SUMMARY**

ZONE	LUMENS
0-30	557.83
0-40	1309.22
0-60	5689.70
0-90	8461.34



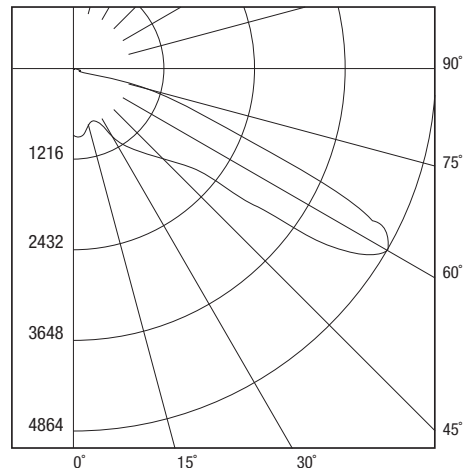
**REPORT NUMBER:** KXL-36L-X-5K-5R

**LUMINANCE DATA** (cd/sq.m)

ANGLE IN DEGREES	AVERAGE 0-DEG	AVERAGE 45-DEG	AVERAGE 90-DEG
45	33189	34371	30033
55	97444	53401	47123
65	128719	104809	8197
75	41158	28409	1852
85	8798	2985	1414

**ZONAL LUMEN SUMMARY**

ZONE	LUMENS
0-30	765.65
0-40	1585.54
0-60	5239.6
0-90	8747.08



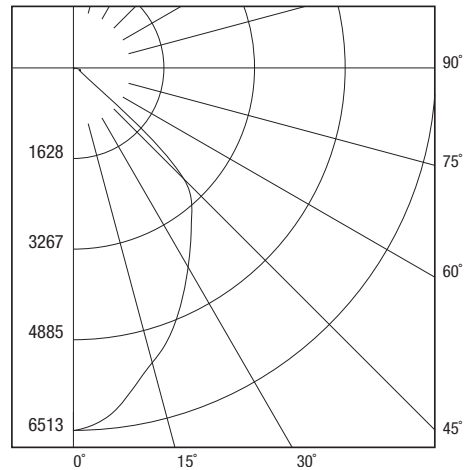
**REPORT NUMBER:** KXL-36L-X-5K-N

**LUMINANCE DATA** (cd/sq.m)

ANGLE IN DEGREES	AVERAGE 0-DEG	AVERAGE 45-DEG	AVERAGE 90-DEG
45	55516	55516	55516
55	3485	3485	3485
65	1620	1620	1620
75	1799	1799	1799
85	1728	1728	1728

**ZONAL LUMEN SUMMARY**

ZONE	LUMENS
0-30	4255.62
0-40	6587.47
0-60	8904.83
0-90	9004.24



Due to our continued efforts to improve our products, specifications are subject to change without notice. Copyright © 2015 Hubbell Lighting All Rights Reserved.

For more information visit our web site: <http://www.hubbellindustrial.com/>  
Phone: 1-864-678-1000