

**Type:**

**Job:**

**Fixture Catalog number:**

\_\_\_\_ / \_\_\_\_ / \_\_\_\_  
 Fixture Wattage / Lamp(s) Finish

**Fixture Options:**

Ordered Separately from Fixture  
 See page 2

**Mounting Options:**

Ordered Separately from Fixture  
 See pages 3-5.

**Approvals:**

**Date:**

**Page: 1 of 5**

## Specifications

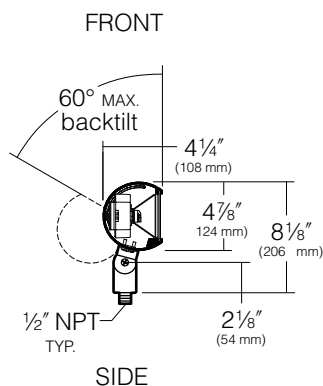
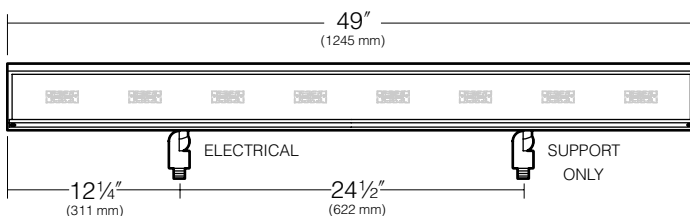
### ORDERING INFORMATION

Fixture	Light Engine	Length
<input type="checkbox"/> 4348P70 / 32L3KUV	74W, 32 LED's, 3000K	49"
<input type="checkbox"/> 4348P70 / 32L4KUV	74W, 32 LED's, 4200K	49"
<input type="checkbox"/> 4348P70 / 32L5KUV	74W, 32 LED's, 5100K	49"

**UV** = Universal Voltage from 120 to 277V with a ±10% tolerance.

### Finish

- BL** - Black
- DB** - Dark Bronze
- GR** - Verde Green



**Housing:** One-piece extruded aluminum with die-cast aluminum ends.

**Swivels:** Two, die-cast aluminum, with locking teeth and 1/2" solid brass NPT mount. Swivel locked by 1/4-20 stainless set screw. Clear anodized prior to powder coating for added corrosion resistance.

**Lens:** Semi-diffused flat acrylic, fully gasketed, retained by a concealed extruded aluminum rail with recessed captive hex socket head fasteners.

**Wiring:** Factory prewired with No. 18AWM rated 105°C, leads extended from swivel base.

**Electronic Module:** All electrical components are UL and CSA recognized, mounted on a single plate and factory prewired. Electrical and optical modules attaches to housing with stainless steel hardware, accessible by removing the rail and lens. Driver is rated for -40°F starting and has a 0-10V dimming interface with a dimming range of 10-100%. Approved dimmers include Lutron Diva DDTV, Lutron Nova NFTV and NTFTV. Note: Not compatible with current sourcing dimmers. Controls compatible via Gray and Purple dimming leads.

**Optical Module:** Each precision, replaceable PicoPrism is positioned to aim directly out the lens toward the task. The entire optical system fastens to the housing as a one-piece module.

**Finish:** Each luminaire receives a fade and abrasion resistant, electrostatically applied, thermally cured, triglycidal isocyanurate (TGIC) polyester powder coat finish. Standard colors include (BL) Black, (DB) Dark Bronze, (GR) Verde Green.

**Listed To:** UL 1598<sup>1</sup> Standard for Luminaires - UL 8750 Standard for Safety for Light Emitting Diode (LED) Equipment for use in Lighting Products and CSA C22.2#250.0 Luminaires.

**Warranty:** Kim Lighting warrants 4300 Sign Lighter LED products sold by Kim Lighting to be free from defects in material and workmanship for (i) a period of five (5) years for metal parts, (ii) a period of five (5) years for exterior housing paint finish(s), (iii) a period of five (5) years for LED Light Engines and, (iv) a period of five (5) years for LED power components (driver, surge protector and LifeShield® device), from the date of sale of such goods to the buyer as specified in Kim Lighting shipment documents for each product.

**Caution:** Fixtures must be grounded in accordance with national, state and/or local electrical codes. Failure to do so may result in serious personal injury.

<sup>1</sup>Suitable for wet locations.

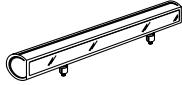


KIM LIGHTING RESERVES THE RIGHT TO CHANGE SPECIFICATIONS WITHOUT NOTICE.

Type:

Job:

Page: 2 of 5



## Fixture Options

Ordered Separately from Fixture

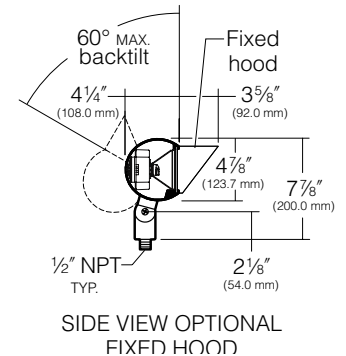
### Optional Fixed Hood

Cat. No.

**FH48** (for 4348)

**No Option**

Formed 1/16" thick aluminum. Mounts to the face of the fixture to shield lens from view. Mounts to predrilled holes in the fixture housing.



## Lumen Data

Spectroradiometric			
	3000K Average	4200K Average	5100K Average
Correlated Color Temp. CCT (K)	2800K-3175K	3800K-4600K	4600K-5600K
Color Rendering Index (CRI)	≥75	≥70	≥65
Power Factor	>.90	>.90	>.90

Projected Lumen Maintenance		
mA	50,000 hrs	100,000 hrs
700	95.92%	93.02%

### 4348 - 32 LED

Electrical - Drive Current @700mA		
Volts - AC	Amps - AC	System Watts
120	0.62	74
208	0.36	74
240	0.31	74
277	0.27	74

Absolute Lumens	
Kelvin Temp	Lumens
3000K	3098
4200K	3959
5100K	4303

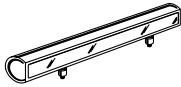
Lumens Per Watt	
Kelvin Temp	LPW
3000K	41.9
4200K	53.5
5100K	58.1

LED performance and lumen output continues to improve at a rapid pace. Log onto [www.kimlighting.com](http://www.kimlighting.com) to download the most current photometric files from Kim Lighting's IES File Library. For custom optics and color temperature configurations, contact factory.

Type:

Job:

Page: 3 of 5



## Mounting Options

Ordered Separately from Fixture

### Landscape Light Post by Engineered Products Co.

Cat. No.

EP17

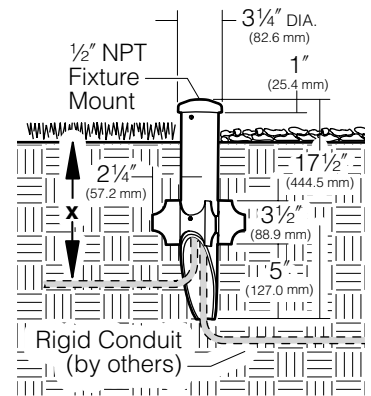
No Option

PVC fixture molded in black with 1/2" NPT mount is corrosion free and UV resistant. Replaces EMT, conduit connectors and weatherproof boxes. 100% shatter resistant against denting and cracking. Angled bottom to eliminate cable congestion.

17 1/2" post length

**NOTE:** EP17 should be used with a UL listed fixture and grounding means (i.e., third wire) suitable for use in wet locations.

"x" = required depth of conduit per local codes.



### Architectural Junction Box (two required)

Cat. No.

Finish

JB1/BL

Black

JB1/DB

Dark Bronze

JB1/GR

Verde

Green

No Option

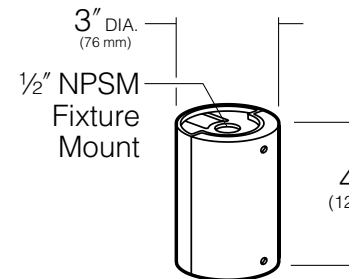
Die-cast aluminum with 1/2" NPSM fixture mount. Internal set screw provided for locking position. Two 1/2" NPSM in bottom, 17 cu in. internal volume. Super TGIC powder coat paint over clear anodizing and titanated zirconium conversion coating.

**NOTE:** May also be used to hard mount low voltage fixtures.

#### Application Notes

- Elevates Accent Lights above ground cover to prevent foliage from blocking the light.
- Elevates Path Lights above ground cover to achieve a greater light throw.

**CAUTION:** Junction box must be installed high enough to avoid contact with soil or standing water.



### Portable Spear Mount (two required)

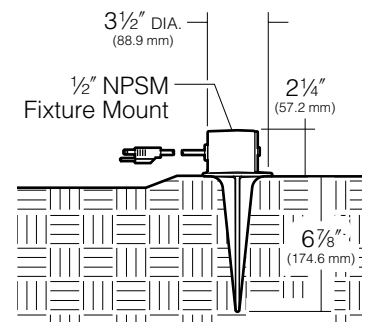
Cat. No.

J-25N

No Option

Cast iron with 1/2" NPSM fixture mount. Hot dip galvanized finish. 5.5 cu in. splice compartment. (SJTW-A) 3 wire cord and plug.

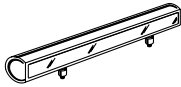
9' cord length



Type:

Job:

Page: 4 of 5



## Mounting Options

Ordered Separately from Fixture

### Brass In-grade Architectural Junction Box (two required)

Cat. No.

- JBR-2
- JBR-3
- JBR-21
- JBR-24
- No Option

Die-cast brass with 1/2" NPSM fixture mount and die-cast cover. Internal set screw provided for locking position. 18 cu in. internal volume.

**JBR-2** (2) 1/2" NPT in bottom

**JBR-3** (2) 3/4" NPT in bottom

**JBR-21** (2) 1/2" NPT in sides, (2) 1/2" NPT in bottom

**JBR-24** (4) 1/2" NPT in sides, (2) 1/2" NPT in bottom

All side taps provided with plugs.

**NOTE:** May also be used to hard mount low voltage fixtures.

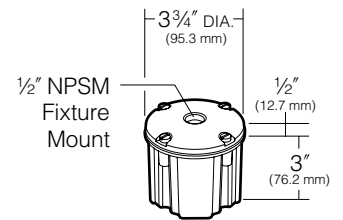
#### 25 Year Limited Warranty:

Solid brass junction boxes are warranted for 25 years, from date of sale, against manufacturing defects and failure due to corrosion.

#### Application Notes

- Creates a flush-mounted appearance.
- May be cast in concrete for increased stability.

**CAUTION:** Fixture stem and swivel must not contact soil or standing water. Provide drainage away from junction box.



### Composite In-Grade Architectural Junction Box

Cat. No.

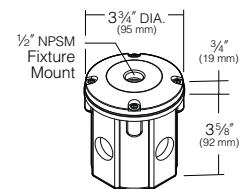
- JBR-4
- No Option

Composite box with 1/2" NPSM fixture mount and composite cover. 19 cu in. internal volume.

**JBR-4** (2) 3/4" NPT knockouts in bottom.

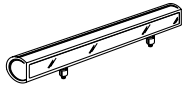
(4) 3/4" NPT knockouts on sides.

**CAUTION:** Fixture stem and swivel must not contact soil or standing water. Provide drainage away from J-Box.



Type:

Job:



## Mounting Options

Ordered Separately from Fixture

### Brass In-grade Staked Junction Box (two required)

Cat. No.

JBR30

No Option

### Brass In-grade Staked Junction Box with Cord (two required)

Cat. No.

JBR32

No Option

### JBR30

#### BRASS IN-GRADE STAKED JUNCTION BOX

Die-cast brass with 1/2" NPSM fixture mount and die-cast cover. Internal set screw provided for locking position. 18 cu in. internal volume.

(2) 1/2" NPT in bottom with (2) 19" long brass stakes

**NOTE:** May also be used to hard mount low voltage fixtures.

### JBR32

#### BRASS IN-GRADE STAKED JUNCTION BOX WITH CORD

Die-cast brass with 1/2" NPSM fixture mount and die-cast cover. Internal set screw provided for locking position. 18 cu in. internal volume. (SJTW-A) 3 wire cord and plug.

(2) 19" long brass stakes with 9' cord

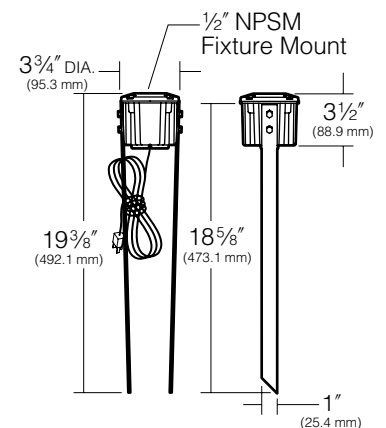
#### 25 Year Limited Warranty:

Solid brass junction boxes are warranted for 25 years, from date of sale, against manufacturing defects and failure due to corrosion.

#### Application Notes

- Creates a flush-mounted appearance.
- May be cast in concrete for increased stability.

**CAUTION:** Fixture stem and swivel must not contact soil or standing water. Provide drainage away from junction box.



### Stanchion Mount (two required)

Cat. No.

Finish

SM18/BL

Black

SM18/DB

Dark Bronze

SM18/GR

Verde Green

No Option

3" O.D. by .188" wall cast aluminum with 1/2" NPSM fixture mount and hand hole with flush cover. Internal set screw fixture lock accessible through hand hole. Internal ground lug supplied with installed lead. Super TGIC powder coat paint over clear anodizing and titanated zirconium conversion coating.

**NOTE:** May also be used to hard mount low voltage fixtures.W

