

JOB \_\_\_\_\_ TYPE \_\_\_\_\_

NOTES \_\_\_\_\_ APPROVALS \_\_\_\_\_

## FEATURES

- PicoPrism® technology<sup>1</sup>
- Family of six sizes
- Available in 580nm, 3000K, 4000K and 5000K standard CCT
- Type 1, 2, 3, 4, 5 standard distributions
- 0-10V dimming drivers standard
- IP66 certified

## Certifications

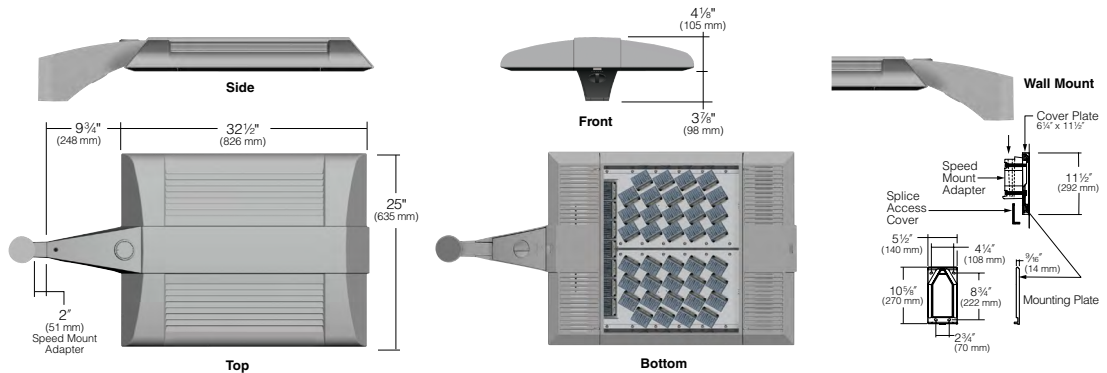


3000K and warmer CCTs only

## SPECIFICATIONS



Approx. Weight = 49 lbs. EPA .92 for 15A.  
See Mounting for Additional EPAs.



## ORDERING CODE

Configuration	EPA	Fixture	Electrical Module	Fixture Finish	Photocell Options
<b>1A</b> Single Arm Mount	.95	<b>Distribution</b> ALT1 Type I ALT2 Type II ALT3 Type III ALT4 Type IV ALT5 Type V ALTR Type R, Right ALT L Type L, Left	<b>Source</b> 180L 180 LEDs, 213W at 350mA, 416W at 700mA	<b>Color Temperature<sup>2</sup></b> 2K <sup>3</sup> 595nm 3K 3000K 4K 4000K 5K 5000K	<b>Voltagess</b> 120 120V 208 208V 240 240V 277 277V 347 347V <sup>4</sup> 480 480V <sup>4</sup>
<b>1W</b> Wall Mount	n/a			<b>BL</b> Black <b>DB</b> Dark Bronze <b>GT</b> Graphite <b>LG</b> Light Gray <b>PS</b> Platinum Silver <b>TT</b> Titanium <b>WH</b> White <b>CC</b> Custom Color*	<b>A25-7</b> 7-pin Photocell Receptacle <b>A30</b> 120V Button Photocell <b>A31</b> 208V Button Photocell <b>A32</b> 240V Button Photocell <b>A33</b> 277V Button Photocell <b>A34</b> 480V Button Photocell <b>A35</b> 347V Button Photocell
<b>HSF</b> Horizontal Slipfitter	n/a				

\*Available round poles only. EPA is for Fixture only

\*Consult Representative

Fuse Options	Lens Option	NFO Option	Control Options	Control Accessories
<b>SF</b> 120, 277, 347 Line Volts <b>DF</b> 208, 240, 480 Line Volts	<b>FGL</b> <sup>5</sup> Flat Glass Lens <b>FPL</b> <sup>5,6</sup> Flat Polycarbonate Lens <sup>5,6</sup>	<b>NFO</b> <sup>5</sup> Neighbor Friendly Optic <sup>5</sup> Photometry available for Type III/IV. All others, consult factory.	<b>Wireless</b> <b>WIR-RMI-IO</b> 120-480V, 1000' range, wiSCAPE RF control system with on/off/dim, alerts, monitoring and metering capabilities	<b>Motion</b> <b>SCH-R</b> Round Pole Mounted Occupancy Sensor up to 30' <b>SCH-S</b> Square Pole Mounted Occupancy Sensor up to 30'
				<b>SW7PR</b> <sup>7,8</sup> Site Sync with 7-pin PCR <b>SWUSB</b> SiteSync Software on USB <b>SWTAB</b> SiteSync Windows® Tablet <b>SWBRG</b> SiteSync Wireless Bridge Node <b>WIR-RME-L</b> wiSCAPE 7-pin Module <b>NXOFM-1R1D-UNV</b> NX 7-pin Module

Mounting Options
<b>VSF</b> Vertical Slipfitter Mount for 2" pipe tenon, (2-3/8" O.D.) <b>VSVF</b> Vertical Slipfitter Mount square for 2" pipe tenon, (2-3/8" O.D.)
<b>Side Arm Mount</b> <b>3-4RD</b> 3.3" to 4.2" O.D. round pole <b>4-6RD</b> 4.5" to 6" O.D. round pole <b>SQ</b> Square Pole

For Pole Spec Select: [http://www.kimlighting.com/products/arms\\_and\\_poles/](http://www.kimlighting.com/products/arms_and_poles/)  
For Control Spec Select: <http://trpssl.com/index.html>



SiteSync Lighting Control is available from our most popular brands in a broad range of award-winning product families.

Microsoft, Encarta, MSN, and Windows are either registered trademarks or trademarks of Microsoft Corporation in the United States and/or other countries.

Kim Lighting reserves the right to change specifications without notice.

<sup>1</sup> US Patent No. D674,965 S. Other patents pending.  
<sup>2</sup> For custom optics and color temperature configurations, contact factory.  
<sup>3</sup> Turtle friendly. Maximum 500mA drive current for 2K amber option.  
<sup>4</sup> 347V & 480V currents may be supplied with step-down transformer.

<sup>5</sup> 350mA only.  
<sup>6</sup> Use only when vandalism is anticipated to be high. Required only for vandal protection in locations where fixtures can be reached by unauthorized persons.  
<sup>7</sup> When ordering SiteSync at least one of these two interface options must be ordered per project.  
<sup>8</sup> If needed, an additional Bridge Node can be ordered.

## LUMINAIRE PERFORMANCE

Spectroradiometric			
	3000K Average	4200K Average	5100K Average
Color Rendering Index (CRI)	≥75	≥70	≥65
Power Factor	>.90	>.90	>.90

Projected Lumen Maintenance		
mA	50,000 hrs	100,000 hrs
350	96.21%	93.59%
700	93.35%	89.47%

Electrical - Drive Current @350mA		
Volts - AC	Amps - AC	System Watts
120	1.78	213
208	1.02	213
240	0.89	213
277	0.77	213
347	0.61	213
480	0.44	213

Electrical - Drive Current @700mA		
Volts - AC	Amps - AC	System Watts
120	3.47	416
208	2.00	416
240	1.73	416
277	1.50	416
347	1.20	416
480	0.87	416

B.U.G. Rating (TM15) in Lumens where B = Backlight, U = Uplight, G = Glare																
Temperature	TYPE 1	TYPE 1 FGL	TYPE 2	TYPE 2 FGL	TYPE 3	TYPE 3 FGL	TYPE 3 NFO	TYPE 3 NFO FGL	TYPE 4	TYPE 4 FGL	TYPE 4 NFO	TYPE 4 NFO FGL	TYPE 5	TYPE 5 FGL	TYPE L/R	TYPE L/R FGL
3000K	B5 U0 G5	B5 U0 G5	B4 U0 G4	B4 U0 G4	B3 U0 G5	B3 U0 G4	B3 U0 G4	B3 U0 G3	B1 U0 G5	B1 U0 G5	B1 U0 G4	B0 U0 G4	B5 U0 G4	B5 U0 G4	B3 U0 G5	B3 U0 G5
4200K	B5 U0 G5	B5 U0 G5	B4 U0 G4	B4 U0 G4	B3 U0 G5	B3 U0 G4	B3 U0 G4	B3 U0 G4	B2 U0 G5	B1 U0 G5	B1 U0 G4	B0 U0 G4	B5 U0 G4	B5 U0 G4	B3 U0 G5	B3 U0 G5
5100K	B5 U0 G5	B5 U0 G5	B4 U0 G4	B4 U0 G4	B3 U0 G5	B3 U0 G5	B3 U0 G4	B3 U0 G4	B2 U0 G5	B1 U0 G5	B1 U0 G4	B0 U0 G4	B5 U0 G4	B5 U0 G4	B3 U0 G5	B3 U0 G5

Absolute Lumens																
Temperature	TYPE 1	TYPE 1 FGL	TYPE 2	TYPE 2 FGL	TYPE 3	TYPE 3 FGL	TYPE 3 NFO	TYPE 3 NFO FGL	TYPE 4	TYPE 4 FGL	TYPE 4 NFO	TYPE 4 NFO FGL	TYPE 5	TYPE 5 FGL	TYPE L/R	TYPE L/R FGL
3000K	23135	18709	23720	19183	23696	19162	18840	15236	23617	19099	19511	15779	23720	19182	20990	16974
4200K	23728	19188	24328	19674	24303	19653	19323	15626	24222	19588	20011	16183	24328	19673	21527	17409
5100K	23999	19407	24606	19899	24581	19878	19544	15805	24499	19812	20240	16368	24606	19898	21773	17608

B.U.G. Rating (TM15) in Lumens where B = Backlight, U = Uplight, G = Glare								
Temperature	TYPE 1	TYPE 2	TYPE 3	TYPE 3 NFO	TYPE 4	TYPE 4 NFO	TYPE 5	TYPE L/R
3000K	B5 U0 G5	B5 U0 G5	B4 U0 G5	B4 U0 G5	B2 U0 G5	B1 U0 G5	B5 U0 G5	B4 U0 G5
4000K	B5 U0 G5	B5 U0 G5	B4 U0 G5	B4 U0 G5	B2 U0 G5	B1 U0 G5	B5 U0 G5	B4 U0 G5
5000K	B5 U0 G5	B5 U0 G5	B4 U0 G5	B4 U0 G5	B2 U0 G5	B1 U0 G5	B5 U0 G5	B4 U0 G5

Absolute Lumens								
Temperature	TYPE 1	TYPE 2	TYPE 3	TYPE 3 NFO	TYPE 4	TYPE 4 NFO	TYPE 5	TYPE L/R
3000K	39211	39752	40101	31932	40286	33070	40220	35575
4000K	40216	40771	41129	32750	41318	33917	41250	36487
5000K	40676	41237	41599	33124	41790	34305	41722	36904

\* FGL = Flat Glass Lens.

LED performance and lumen output continues to improve at a rapid pace. Log onto [www.kimlighting.com](http://www.kimlighting.com) to download the most current photometric files from Kim Lighting's IES File Library. For custom optics and color temperature configurations, contact factory.

Kim Lighting reserves the right to change specifications without notice.

## SPECIFICATIONS

### Housing:

- Extruded low copper aluminum main body.
- Die-cast low copper aluminum electrical gear compartment.
- Stainless steel hardware.
- Die cast wall separates the optical and electrical compartment acting as thermal barrier.
- Electrical gear compartment doors are fastened with two hinges and a latch made of stainless steel.
- Silicone gaskets seal the compartments at the barrier surface.

### Optical Module:

- PicoPrism® refractors (enclosed LED PCBs for IP66 rating) aimed toward the task and spreads horizontally to produce great uniformity.
- Type I, II, III, IV, V, L (left), and R (right) standard distributions. Custom available.
- 3000K, 4000K, 5000K standard CCT. Amber and custom available.
- IP66 certified.
- Die-cast, low copper aluminum heat sink modules provide thermal transfer at PCB level.
- Anodized aluminum carrier plate and heat sink modules.

### Lens Frame:

- One-piece low copper aluminum alloy die-cast is secured to housing with two toolless latches.

### Neighbor Friendly Optic

- Optional integrated Neighbor Friendly Optic on each LED module to completely control unwanted backlight. Most effective with Type III and IV distributions.

### Lens

- One-piece flat glass lens slips into reveal. Extra silicone gasketing is provided to retain a clear optical compartment. CAUTION: Use only when vandalism is anticipated to be high.

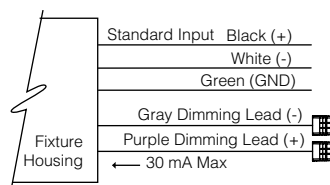
### Electrical Characteristics:

- Pre-assembled, aluminum gear tray.
- 120V through 480V @ 50/60Hz.
- Class 2, 350mA or 700mA

- Power Factor = >.90
- National Electrical Code, ANSI/NFPA 70.
- 10kV surge suppression.
- Thermal shield thermal control.
- -30c starting driver.
- 0-10V dimming interface.
- All electronic components are IP66 rated.
- Electronic components are UL and/or CSA recognized.
- Standard programmable driver for variable drive current settings from 350mA to 700mA.

### Dimming:

- 10% to 100% dimming by the use of standard 0-10V interface driver.
- To activate the dimming system, a wiring harness is supplied and attached to the DIM Port (DIM IN) on the thermal shield protection system. This port allows the 0-10V interface to bypass the thermal shield and control the driver.
- The thermal shield works in conjunction with the control system to assure that overheating will not harm the LEDs.
- The wiring harness is connected with the use of the Purple lead as the positive (+) and the Grey lead as the negative (-) to an available control signal (by others).



### Support Arm:

- Speed Mount and a reinforcing plate are provided with wire strain relief.
- Speed Mount is square or circular cut for specified pole size and shape.
- Die-cast, low copper aluminum support arm for direct pole mount.
- Die-cast aluminum tool-less entry splice access cover.
- Terminal block is mounted in the arm cavity and accepts #14 to #8 wire sizes.
- Prewired to electrical module with quick-disconnect plugs located inside the electrical compartment.

- Optional cast, low copper aluminum horizontal slip-fitter with adaptor plate to secure the luminaire to 1-1/4" to 2" IPS pipe size arms.
- Optional cast aluminum wall mount plate assembly. Attaches to the wall over the junction box. Luminaire attaches to the wall plate with a square cut Speed Mount.

### Finish:

- Fade and abrasion resistant, electrostatically applied, thermally cured, triglycidal isocyanurate (TGIC) polyester powdercoat.
- Standard colors include (BL) Black, (DB) Dark Bronze, (GT) Graphite, (WH) White, (PS) Platinum Silver, (LG) Light Gray, (TT) Titanium, and (CC) Custom Color (Include RAL#).

### Fusing:

**SF** for 120, 277 and 347 Line Volts  
**DF** for 208, 240 and 480 Line Volts.

- High temperature fuse holders factory installed inside the fixture housing. Fuse is included.

### Certifications and Listings:

- UL 1598 Standard for wet locations for Luminaires.
- UL 8750 Standard for Safety for Light Emitting Diode (LED) Equipment for use in Lighting Products.
- IP66 certified.
- CSA C22.2#250.0 Luminaires.
- ANSI C136.31-2010 3G Vibration tested and compliant.
- RoHS compliant.
- IDA approved, 3000K and warmer CCTs only.

### CAUTION:

- Fixtures must be grounded in accordance with national, state and/or local electrical codes, Failure to do so may result in serious personal injury.

### WARRANTY:

- For full warranty see <http://www.hubbellighting.com/resources/warranty>

Kim Lighting reserves the right to change specifications without notice.

## CONTROLS

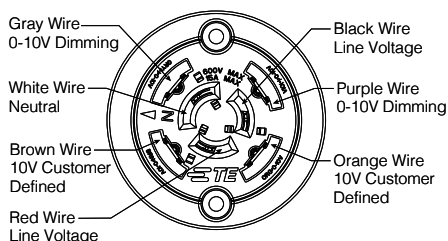
### Photocell Receptacle

#### A25-7

Fully gasketed and wired 7-pin receptacle option. Easy access location above the electrical compartment. 7-pin construction allows for a user-defined interface and provides a controlled definition of operational performance. ANSI twist-lock control module by-others.

Standard customer operation modes:

1. Traditional on/off photoelectric control.
2. 5-pin wireless photoelectric control for added dimming feature.
3. 7-pin wireless photoelectric control for dimming and additional I/O connections for customer use.



### Button Photocell

**A30** for 120V, **A31** for 208V, **A32** for 240V, **A33** for 277V, **A35** for 347V, **A34** for 480V,

Photocell is factory installed inside the housing with a fully gasketed sensor on the side wall. For multiple fixture mountings, one fixture is supplied with a photocell to operate the others.

### wiSCAPE™

Hubbell Building Automation's wiSCAPE In-Fixture Module is a bi-directional wireless RF device that allows an individual fixture to be managed, monitored and metered. The wiSCAPE In-Fixture Module communicates wirelessly over a robust 2.4GHz ISM (Industrial, Scientific and Medical) certified meshed radio signal. The wiSCAPE Fixture Module drastically simplifies control and automation of projects, especially in retrofit environments, and challenges the legacy world of wired-systems. wiSCAPE wireless control technology easily adapts to complex automation situations for quick, simple and economical commissioning. The On-Fixture Module is compatible with A-25-7H option.

### WIR-RMI-IO

120 - 347V 1000 Foot Range WiScape RF mesh control system with off/on/dim, motion, photo, GPS location, alert, monitoring and metering capabilities.

### SiteSync™<sup>1</sup>

SiteSync™ wireless control system for reduction in energy and maintenance cost while optimizing light quality 24/7. See ordering information or visit [www.hubbellighting.com/products/sitesync](http://www.hubbellighting.com/products/sitesync) for more details.

### Pole Mounted

#### Round Pole-Mounted Occupancy Sensor up to 30'

##### SCH-R

Round Pole-Mounted Occupancy Sensor: up to 30' - an outdoor occupancy sensor with 0-10V interface dimming control that mounts directly to the pole. Wide 360° pattern. Module colors are available in Black, Gray, and White. Module is cut for round pole mounting. Pole diameter is needed upon order. Poles to be drilled in the field will be provided with installation instructions.

Ordering Example: SCH-R<sup>1</sup>/277<sup>2</sup>/BL<sup>3</sup>

#### Square Pole-Mounted Occupancy Sensor up to 30'

##### SCH-S

Square Pole-Mounted Occupancy Sensor: up to 30' - an outdoor occupancy sensor with 0-10V interface dimming control that mounts directly to the pole. Wide 360° pattern. Module colors are available in Black, Gray, and White. Module is cut for round pole mounting. Pole diameter is needed upon order. Poles to be drilled in the field will be provided with installation instructions.

Ordering Example: SCH-S/277<sup>2</sup>/BL<sup>3</sup>

### SCP

The SCP is a photo-control with motion sensing accessory that mounts to the side of any new or existing 3"-5" round or square straight pole. The SCP enables any pole mounted luminaire in excess of 75 watts, to meet California Title 24 requirements with integral 20KV/10KA surge protection for added reliability and serviceability.

For more detail:

[http://www.aal.net/products/sensor\\_control\\_programmable](http://www.aal.net/products/sensor_control_programmable)

<sup>1</sup>PRECOMMISSIONED SITESYNC ORDERING INFORMATION: When ordering a fixture with the SiteSync lighting control option, additional information will be required to complete the order. The SiteSync Commissioning Form or alternate schedule information must be completed. This form includes Project location, Group information, and Operating schedules. For more detailed information please visit [www.HubbellLighting.com/products/sitesync](http://www.HubbellLighting.com/products/sitesync) or contact Hubbell Lighting tech support at (800) 345-4928.

SiteSync fixtures with occupancy sensor (SWPM) require the mounting height of the fixture for selection of the lens.

Examples:

SiteSync only : ALT3/P70/60L/3KUV/PS/US/SWP

SiteSync with Motion Control: ALT3/P70/60L/3KUV/PS/US/SWPM-20F

MOB ORDERING INFORMATION: When ordering a fixture with a dimming occupancy sensor option (MOB), please specify the appropriate information. These settings are specified in the ordering as shown in the example below.

ALT3/P70/60L/3KUV/PS/US/MOB - 1 to 30 min - 33%or 50% - ?? / DBT

High to Dim Delay      Low Level      Mounting Height (ft.)

<sup>1</sup>Pole Diameter, <sup>2</sup>Voltage, <sup>3</sup>Color

Kim Lighting reserves the right to change specifications without notice.