

Type: Job: Fixture Catalog number: <hr style="width: 100%;"/> <div style="display: flex; justify-content: space-between; font-size: small;"> Fixture Mode Finish </div>	Fixture Options: <hr/> <small>Ordered Separately from Fixture See page 2</small> Mounting Options: <hr/> <small>Ordered Separately from Fixture See pages 3-4</small>	Approvals: Date: Page: 1 of 5
--	--	--

Specifications

Housing and Lens Frame: Die-cast brass. Frame with silicone gasket, attaches to housing with four captive 1/4-20 stainless steel, slotted cap screws.

Arm: Cast brass. Head is independently rotatable 300° vertically from top dead center. Head may be positioned straight up. Horizontal rotation of entire fixture controlled by installation on mounting device. Set screw provided for locking position.

Stem: 1/2" schedule 40 brass pipe with 1/2" NPT at bottom plus solid brass locknut for mounting.

Lens: Tempered clear soda lime glass with silicone gasket. Flush with lens frame to promote water runoff when positioned upward.

Wiring: No. 18AWM rated 105°C.

Finish: Natural Brass (**NB**) and Verde Green Patina (**VG**).

Optical System: A total of 3 or 9 LED emitters configured in a rectangular array comprised together as a module. Available in 3000K, 4200K, and 5100K.

Driver: Universal Voltage from 120 to 277V with a ±10% tolerance. -40°F. starting temperature. All drivers are Underwriters Laboratories recognized.

ORDERING INFORMATION

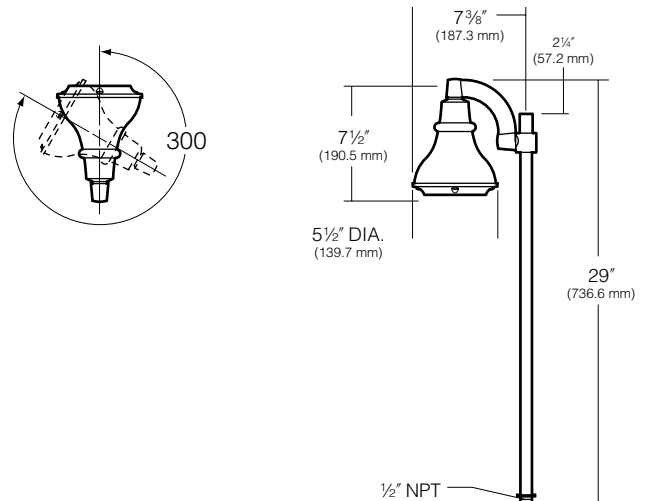
Fixture	Source
<input type="checkbox"/> BN167 / 3L3KUV¹	5.3W, 3 LED's, 3000K
<input type="checkbox"/> BN167 / 3L4KUV¹	5.3W, 3 LED's, 4200K
<input type="checkbox"/> BN167 / 3L5KUV¹	5.3W, 3 LED's, 5100K

Fixture	Source
<input type="checkbox"/> BN167/ 9L3KUV¹	11.9W, 9 LED's, 3000K
<input type="checkbox"/> BN167/ 9L4KUV¹	11.9W, 9 LED's, 4200K
<input type="checkbox"/> BN167 / 9L5KUV¹	11.9W, 9 LED's, 5100K

¹ Universal Voltage from 120 to 277V with a ±10% tolerance. For 5.3W, Max Amps. are .040 for 120V, .030 for 208V, .020 for 240V, .020 for 277V. For 11.9W, Max Amps. are .28.

Finish

- NB**- Natural Brass
- VG** - Verde Green



Listings and Ratings

UL cUL 1598 ²	25C Ambient
--------------------------	-------------

²Suitable for wet locations

Kim Lighting reserves the right to change specifications without notice.

Type:
 Job:



Fixture Options
 Ordered Separately from Fixture

Lens Accessories
 Cat. No. (See right)
 No Option

PL72 - Prismatic Lens: Softens lamp distribution and flattens beam spread. Best with flood lamps. Inserts behind lens into lens gasket.

Cat. No.
 PL72 Prismatic Lens



SL72 - Spread Lens: Creates an oval beam pattern, more narrow in one beam axis. Best with spot lamps. Inserts behind lens into lens gasket.

SL72 Spread Lens



Kim Lighting reserves the right to change specifications without notice.

Type:
 Job:



Mounting Options

Ordered Separately from Fixture

Landscape Light Post by Engineered Products Co.

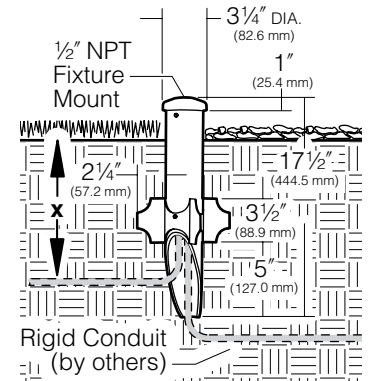
- Cat. No.
 EP17
 No Option

PVC fixture molded in black with 1/2" NPT mount is corrosion free and UV resistant. Replaces EMT, conduit connectors and weatherproof boxes. 100% shatter resistant against denting and cracking. Angled bottom to eliminate cable congestion.

17 1/2" post length

NOTE: EP17 should be used with a UL listed fixture and grounding means (i.e., third wire) suitable for use in wet locations.

"x" = required depth of conduit per local codes.



Architectural Junction Box

- Cat. No. Finish
 JB1/BL Black
 JB1/DB Dark Bronze
 JB1/GR Verde Green
 No Option

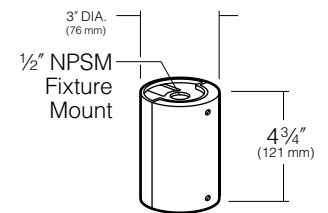
Die-cast aluminum with 1/2" NPSM fixture mount. Internal set screw provided for locking position. Two 1/2" NPSM in bottom, 17 cu in. internal volume. Super TGIC powder coat paint over clear anodizing and titanated zirconium conversion coating.

NOTE: May also be used to hard mount low voltage fixtures.

Application Notes

- Elevates Accent Lights above ground cover to prevent foliage from blocking the light.
- Elevates Path Lights above ground cover to achieve a greater light throw.

CAUTION: Junction box must be installed high enough to avoid contact with soil or standing water.



Brass In-grade Architectural Junction Box

- Cat. No.
 JBR-2
 JBR-3
 JBR-21
 JBR-24
 No Option

Die-cast brass with 1/2" NPSM fixture mount and die-cast cover. Internal set screw provided for locking position. 18 cu in. internal volume.

- JBR-2** (2) 1/2" NPT in bottom
JBR-3 (2) 3/4" NPT in bottom
JBR-21 (2) 1/2" NPT in sides, (2) 1/2" NPT in bottom
JBR-24 (4) 1/2" NPT in sides, (2) 1/2" NPT in bottom

All side taps provided with plugs.

NOTE: May also be used to hard mount low voltage fixtures.

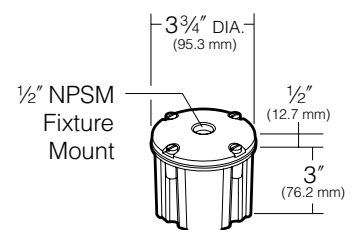
25 Year Limited Warranty:

Solid brass junction boxes are warranted for 25 years, from date of sale, against manufacturing defects and failure due to corrosion.

Application Notes

- Creates a flush-mounted appearance.
- May be cast in concrete for increased stability.

CAUTION: Fixture stem and swivel must not contact soil or standing water. Provide drainage away from junction box.



Kim Lighting reserves the right to change specifications without notice.

Type:
 Job:



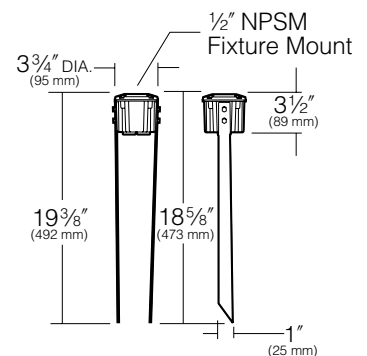
Mounting Options

Ordered Separately from Fixture

Brass In-grade Staked Junction Box

- Cat. No.
 JBR30
 No Option

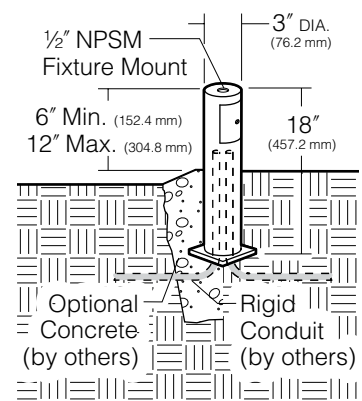
Die-cast brass with 1/2" NPSM fixture mount and die-cast cover. Internal set screw provided for locking position. 18 cu in. internal volume.
 (2)1/2" NPT in bottom with (2) 19" long brass stakes
NOTE: May also be used to hard mount low voltage fixtures.



Stanchion Mount

- Cat. No. Finish
 SM18/BL Black
 SM18/DB Dark Bronze
 SM18/GR Verde Green
 No Option

3" O.D. by .188" wall cast aluminum with 1/2" NPSM fixture mount and hand hole with flush cover. Internal set screw fixture lock accessible through hand hole. Internal ground lug supplied with installed lead. Super TGIC powder coat paint over clear anodizing and titanated zirconium conversion coating.
NOTE: May also be used to hard mount low voltage fixtures.



Type:
 Job:

Lumen Data

Spectroradiometric			
	3000K	4200K	5100K
Correlated Color Temp. CCT (K)	2800 to 3175K	3800 to 4600K	4600 to 5600K
Color Rendering Index (CRI)	≥75	≥70	≥65

ELECTRICAL - Drive Current @350mA (3 LEDs)		
Volts -AC	Amps - AC	System Watts
120	0.04	5.3
208	0.03	5.3
240	0.02	5.3
277	0.02	5.3

ELECTRICAL - Drive Current @350mA (9 LEDs)		
Volts -AC	Amps - AC	System Watts
120	0.28	11.9
208	0.28	11.9
240	0.28	11.9
277	0.28	11.9

Absolute Lumens (3 LEDs)	
Temperature	BN167/3L*K
3000K	199.7
4200K	205.1
5100K	206

Absolute Lumens (9 LEDs)	
Temperature	BN167/9L*K
3000K	618.7
4200K	703.6
5100K	823.9

Lumens Per Watt (3 LEDs)	
Temperature	BN167/3L*K
3000K	37.7
4200K	38.7
5100K	38.9

Lumens Per Watt (9 LEDs)	
Temperature	BN167/9L*K
3000K	52.0
4200K	59.1
5100K	69.2

Kim Lighting reserves the right to change specifications without notice.