

Type: Job: Fixture Catalog number: <hr/> Fixture and Finish	Fixture Options: <hr/> Ordered Separately from Fixture See page 2	Approvals: Date: Page: 1 of 5
	Mounting Options: <hr/> Ordered Separately from Fixture See pages 3-5	

Specifications

Lamp Housing: Die-cast brass with die-cast cover, stainless steel fasteners and stainless steel set screw lock for aiming pivot.

Aiming: Aimable 358° vertically, horizontal aiming controlled by installation on mounting device.

Ravenna Yoke: Cast brass, stainless steel fasteners and 1/2" NPSM brass nipple mount.

Lens: Tempered glass, 1/8" nominal thickness.

Gasketing: Silicone gaskets used throughout.

Socket: G4 to GY6.35 socket for bipin lamp.

Transformer: 120 volt to 12 volt, 20 to 50 watt electronic stepdown transformer, enclosed and gasketed in yoke base.

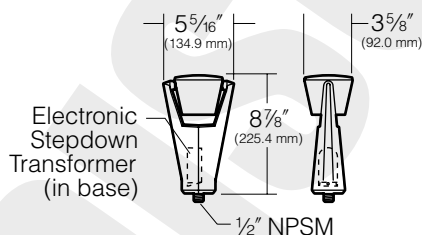
Wiring: No. 18AWM rated 105°C.

Finish: Natural Brass (**NB**) and Verde Green Patina (**VG**).

Certification: UL Listed to U.S. and Canadian safety standards for wet locations.

ORDERING INFORMATION

Fixture	Lamp	Finish
<input type="checkbox"/> BN275NB	20W-50W MR16 Bipin Halogen	Natural Brass
<input type="checkbox"/> BN275VG	20W-50W MR16 Bipin Halogen	Verde Green Patina



U.S. PATENT D407,842

KIM LIGHTING RESERVES THE RIGHT TO CHANGE SPECIFICATIONS WITHOUT NOTICE.

Type:
 Job:



Fixture Options

Ordered Separately from Fixture

Lens Accessories
 Cat. No. (See right)
 No Option

HL - Hex Cell Louver: Constructed of hex cell aluminum louvers providing 45° cutoff, mounted in a circular frame, finished in baked high-heat flat black. Can be used in combination with colored lenses. Inserts behind lens. Cannot be used in combination with **SL** spread or **PL** prismatic lenses.

Cat. No.

HL Hex Cell Louver



PL - Prismatic Lens: Softens lamp distribution and flattens beam spread. Best with flood lamps. Inserts behind lens. Cannot be used in combination with **HL** louver.

Cat. No.

PL Prismatic Lens



SL - Spread Lens: Creates an oval beam pattern, more narrow in one beam axis. Best with spot lamps. Inserts behind lens. Cannot be used in combination with **HL** louver.

Cat. No.

SL Spread Lens



Type:

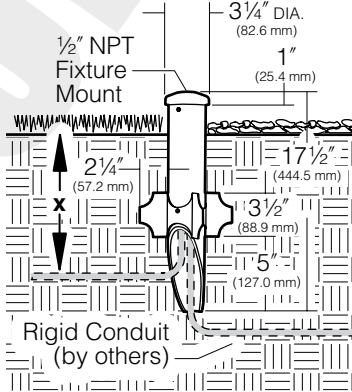
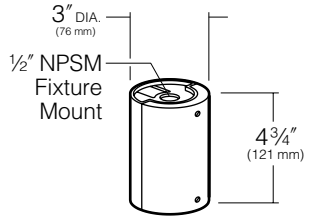
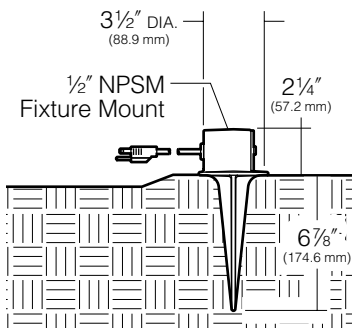
Job:

Page: 3 of 5



Mounting Options

Ordered Separately from Fixture

<p>Landscape Light Post by Engineered Products Co. Cat. No. <input type="checkbox"/> EP17 <input type="checkbox"/> No Option</p>	<p>PVC fixture molded in black with 1/2" NPT mount is corrosion free and UV resistant. Replaces EMT, conduit connectors and weatherproof boxes. 100% shatter resistant against denting and cracking. Angled bottom to eliminate cable congestion. 17 1/2" post length NOTE: EP17 should be used with a UL listed fixture and grounding means (i.e., third wire) suitable for use in wet locations. "x" = required depth of conduit per local codes.</p>	
<p>Architectural Junction Box Cat. No. Finish <input type="checkbox"/> JB1/BL Black <input type="checkbox"/> JB1/DB Dark Bronze <input type="checkbox"/> JB1/GR Verde Green <input type="checkbox"/> No Option</p>	<p>Die-cast aluminum with 1/2" NPSM fixture mount. Internal set screw provided for locking position. Two 1/2" NPSM in bottom, 17 cu in. internal volume. Super TGIC powder coat paint over clear anodizing and titanated zirconium conversion coating. NOTE: May also be used to hard mount low voltage fixtures. Application Notes</p> <ul style="list-style-type: none"> • Elevates Accent Lights above ground cover to prevent foliage from blocking the light. • Elevates Path Lights above ground cover to achieve a greater light throw. <p>CAUTION: Junction box must be installed high enough to avoid contact with soil or standing water.</p>	
<p>Portable Spear Mount Cat. No. <input type="checkbox"/> J-25N <input type="checkbox"/> No Option</p>	<p>Cast iron with 1/2" NPSM fixture mount. Hot dip galvanized finish. 5.5 cu in. splice compartment. (SJTW-A) 3 wire cord and plug. 9' cord length</p>	

Type:
 Job:



Mounting Options

Ordered Separately from Fixture

Brass In-grade Architectural Junction Box

Cat. No.

- JBR-2
- JBR-3
- JBR-21
- JBR-24
- No Option

Die-cast brass with 1/2" NPSM fixture mount and die-cast cover. Internal set screw provided for locking position. 18 cu in. internal volume.

- JBR-2** (2) 1/2" NPT in bottom
- JBR-3** (2) 3/4" NPT in bottom
- JBR-21** (2) 1/2" NPT in sides, (2) 1/2" NPT in bottom
- JBR-24** (4) 1/2" NPT in sides, (2) 1/2" NPT in bottom

All side taps provided with plugs.

NOTE: May also be used to hard mount low voltage fixtures.

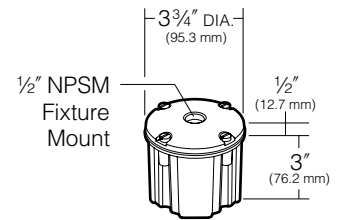
25 Year Limited Warranty:

Solid brass junction boxes are warranted for 25 years, from date of sale, against manufacturing defects and failure due to corrosion.

Application Notes

- Creates a flush-mounted appearance.
- May be cast in concrete for increased stability.

CAUTION: Fixture stem and swivel must not contact soil or standing water. Provide drainage away from junction box.



Brass In-grade Staked Junction Box

Cat. No.

- JBR30
- No Option

JBR30 BRASS IN-GRADE STAKED JUNCTION BOX

Die-cast brass with 1/2" NPSM fixture mount and die-cast cover. Internal set screw provided for locking position. 18 cu in. internal volume.

(2) 1/2" NPT in bottom with (2) 19" long brass stakes

NOTE: May also be used to hard mount low voltage fixtures.

Brass In-grade Staked Junction Box with Cord

Cat. No.

- JBR32
- No Option

JBR32 BRASS IN-GRADE STAKED JUNCTION BOX WITH CORD

Die-cast brass with 1/2" NPSM fixture mount and die-cast cover. Internal set screw provided for locking position. 18 cu in. internal volume. (SJTW-A) 3 wire cord and plug.

(2) 19" long brass stakes with 9' cord

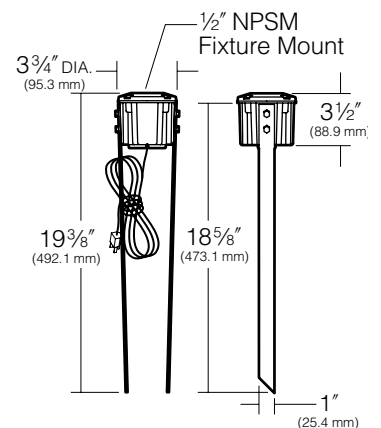
25 Year Limited Warranty:

Solid brass junction boxes are warranted for 25 years, from date of sale, against manufacturing defects and failure due to corrosion.

Application Notes

- Creates a flush-mounted appearance.
- May be cast in concrete for increased stability.

CAUTION: Fixture stem and swivel must not contact soil or standing water. Provide drainage away from junction box.



Type:

Job:

Page: 5 of 5



Mounting Options

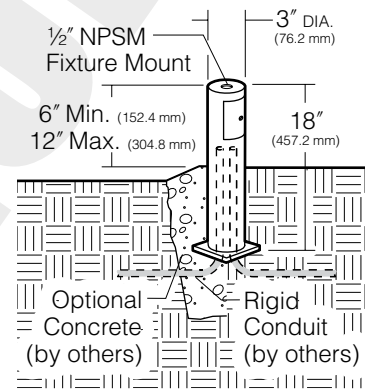
Ordered Separately from Fixture

Stanchion Mount

- Cat. No. Finish
- SM18/BL** Black
- SM18/DB** Dark Bronze
- SM18/GR** Verde Green
- No Option**

3" O.D. by .188" wall cast aluminum with 1/2" NPSM fixture mount and hand hole with flush cover. Internal set screw fixture lock accessible through hand hole. Internal ground lug supplied with installed lead. Super TGIC powder coat paint over clear anodizing and titanated zirconium conversion coating.

NOTE: May also be used to hard mount low voltage fixtures.

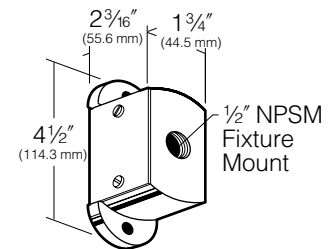


Surface Mount

- Cat. No. Finish
- J-27N/BL** Black
- J-27N/DB** Dark Bronze
- J-27N/GR** Verde Green
- No Option**

Cast aluminum with 1/2" NPSM fixture mount. Internal set screw provided for locking position. 5 cu in. internal volume. Super TGIC powder coat paint over clear anodizing and titanated zirconium conversion coating.

NOTE: May also be used to hard mount low voltage fixtures.



Brass Architectural Wall Mount

- Cat. No. Finish
- JWBR/NB** Natural Brass
- JWBR/VG** Verde Green Patina
- No Option**

Die-cast brass with 1/2" NPSM fixture mount. Internal set screw provided for locking position. Canopy attaches to stainless steel wall plate for mounting to any standard electrical outlet box.

NOTE: May also be used to hard mount low voltage fixtures.

