

Type: Job: Fixture Catalog number: _____ / _____ Fixture Mode Finish	Fixture Options: <hr/> Ordered Separately from Fixture See page 2	Approvals: Date: Page: 1 of 5
	Mounting Options: <hr/> Ordered Separately from Fixture See pages 3-4	

Specifications

Housing and Lens Frame: Die-cast, low copper alloy (<0.6% Cu) aluminum. Frame with silicone gasket, attaches to housing with four captive ¼"-20 stainless steel, slotted cap screws.

Arm: Cast aluminum. Head is independently rotatable 300° vertically from top dead center. Head may be positioned straight up. Horizontal rotation of entire fixture controlled by installation on mounting device. Set screw provided for locking position.

Stem: ½" schedule 40 aluminum pipe with ½" NPT at bottom plus solid brass locknut for mounting.

Lens: Tempered clear soda lime glass with silicone gasket. Flush with lens frame to promote water runoff when positioned upward.

Wiring: No. 18AWM rated 105°C.

Finish: Super TGIC thermoset polyester powder coat paint, 2.5 mil nominal thickness, applied over a titanated zirconium conversion coating; 2500 hour salt spray test endurance rating. Standard colors are Black (**BL**), Dark Bronze (**DB**), and Verde Green (**GR**).

Optical System: A total of 3 or 9 LED emitters configured in a rectangular array comprised together as a module. Available in 3000K, 4200K, and 5100K.

Driver: Universal Voltage from 120 to 277V with a ±10% tolerance. -40°F. starting temperature. All drivers are Underwriters Laboratories recognized.]

ORDERING INFORMATION

Fixture	Source
<input type="checkbox"/> EL167 / 3L3KUV ¹	5.3W, 3 LED's, 3000K
<input type="checkbox"/> EL167 / 3L4KUV ¹	5.3W, 3 LED's, 4200K
<input type="checkbox"/> EL167 / 3L5KUV ¹	5.3W, 3 LED's, 5100K

Fixture	Source
<input type="checkbox"/> EL167/ 9L3KUV ¹	11.9W, 9 LED's, 3000K
<input type="checkbox"/> EL167/ 9L4KUV ¹	11.9W, 9 LED's, 4200K
<input type="checkbox"/> EL167 / 9L5KUV ¹	11.9W, 9 LED's, 5100K

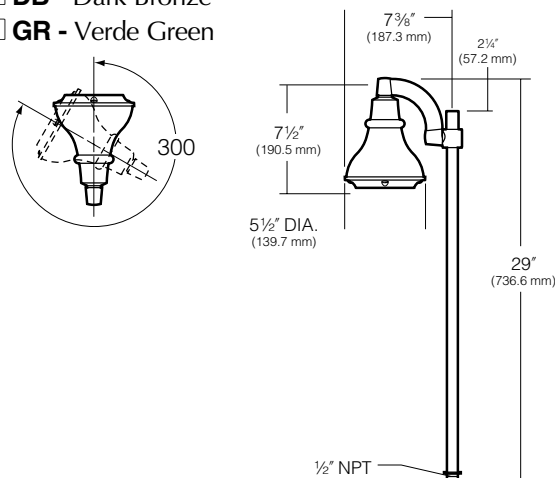
¹ Universal Voltage from 120 to 277V with a ±10% tolerance. For 5.3W, Max Amps. are .040 for 120V, .030 for 208V, .020 for 240V, .020 for 277V. For 11.9W, Max Amps. are .28.

Lens

STD Lens

Finish

- BL- Black
- DB - Dark Bronze
- GR - Verde Green



Listings and Ratings	
UL cUL 1598 ²	25C Ambient

²Suitable for wet locations

Kim Lighting reserves the right to change specifications without notice.



Fixture Options

Ordered Separately from Fixture

Lens Accessories
 Cat. No. (See right)
 No Option

PL72 - Prismatic Lens: Softens lamp distribution and flattens beam spread. Best with flood lamps. Inserts behind lens into lens gasket.

Cat. No.
 PL72 Prismatic Lens



SL72 - Spread Lens: Creates an oval beam pattern, more narrow in one beam axis. Best with spot lamps. Inserts behind lens into lens gasket.

Cat. No.
 SL72 Spread Lens



Type:
 Job:

Page: 3 of 5

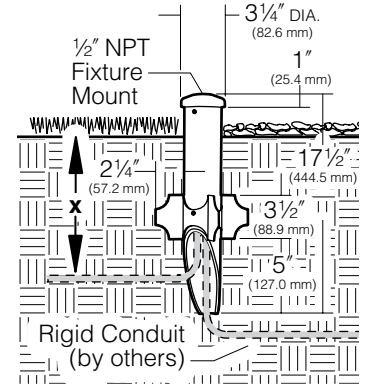


Mounting Options

Ordered Separately from Fixture

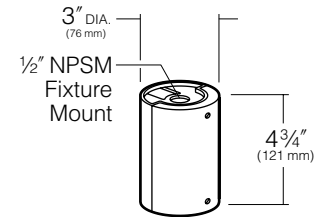
Landscape Light Post by Engineered Products Co.
 Cat. No.
 EP17
 No Option

PVC fixture molded in black with 1/2" NPT mount is corrosion free and UV resistant. Replaces EMT, conduit connectors and weatherproof boxes. 100% shatter resistant against denting and cracking. Angled bottom to eliminate cable congestion.
 17 1/2" post length
NOTE: EP17 should be used with a UL listed fixture and grounding means (i.e., third wire) suitable for use in wet locations.
 "x" = required depth of conduit per local codes.



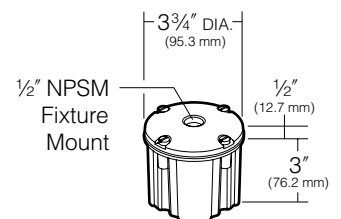
Architectural Junction Box
 Cat. No. Finish
 JB1/BL Black
 JB1/DB Dark Bronze
 JB1/GR Verde Green
 No Option

Die-cast aluminum with 1/2" NPSM fixture mount. Internal set screw provided for locking position. Two 1/2" NPSM in bottom, 17 cu in. internal volume. Super TGIC powder coat paint over clear anodizing and titanated zirconium conversion coating conversion.
NOTE: May also be used to hard mount low voltage fixtures.
Application Notes
 • Elevates Accent Lights above ground cover to prevent foliage from blocking the light.
 • Elevates Path Lights above ground cover to achieve a greater light throw.
CAUTION: Junction box must be installed high enough to avoid contact with soil or standing water.



Brass In-grade Architectural Junction Box
 Cat. No.
 JBR-2
 JBR-3
 JBR-21
 JBR-24
 No Option

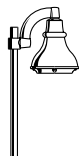
Die-cast brass with 1/2" NPSM fixture mount and die-cast cover. Internal set screw provided for locking position. 18 cu in. internal volume.
JBR-2 (2) 1/2" NPT in bottom
JBR-3 (2) 3/4" NPT in bottom
JBR-21 (2) 1/2" NPT in sides, (2) 1/2" NPT in bottom
JBR-24 (4) 1/2" NPT in sides, (2) 1/2" NPT in bottom
 All side taps provided with plugs.
NOTE: May also be used to hard mount low voltage fixtures.
25 Year Limited Warranty:
 Solid brass junction boxes are warranted for 25 years, from date of sale, against manufacturing defects and failure due to corrosion.
Application Notes
 • Creates a flush-mounted appearance.
 • May be cast in concrete for increased stability.
CAUTION: Fixture stem and swivel must not contact soil or standing water. Provide drainage away from junction box.



Type:

Job:

Page: 4 of 5



Mounting Options

Ordered Separately from Fixture

Brass In-grade Staked Junction Box

Cat. No.

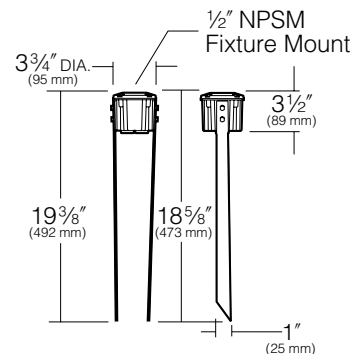
JBR30

No Option

Die-cast brass with 1/2" NPSM fixture mount and die-cast cover. Internal set screw provided for locking position. 18 cu in. internal volume.

(2) 1/2" NPT in bottom with (2) 19" long brass stakes

NOTE: May also be used to hard mount low voltage fixtures.



Stanchion Mount

Cat. No.

Finish

SM18/BL

Black

SM18/DB

Dark Bronze

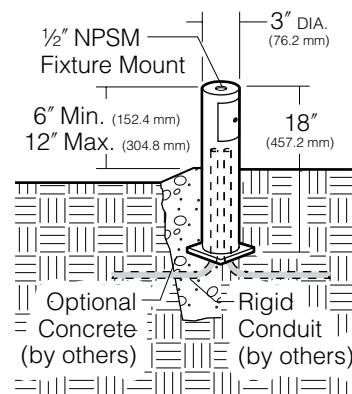
SM18/GR

Verde Green

No Option

3" O.D. by .188" wall cast aluminum with 1/2" NPSM fixture mount and hand hole with flush cover. Internal set screw fixture lock accessible through hand hole. Internal ground lug supplied with installed lead. Super TGIC powder coat paint over clear anodizing and titanated titanium conversion coating.

NOTE: May also be used to hard mount low voltage fixtures.



Type:
Job:

Lumen Data

Spectroradiometric			
	3000K	4200K	5100K
Correlated Color Temp. CCT (K)	2800 to 3175K	3800 to 4600K	4600 to 5600K
Color Rendering Index (CRI)	≥75	≥70	≥65

ELECTRICAL - Drive Current @350mA (3 LEDs)		
Volts -AC	Amps - AC	System Watts
120	0.04	5.3
208	0.03	5.3
240	0.02	5.3
277	0.02	5.3

ELECTRICAL - Drive Current @350mA (9 LEDs)		
Volts -AC	Amps - AC	System Watts
120	0.28	11.9
208	0.28	11.9
240	0.28	11.9
277	0.28	11.9

Absolute Lumens (3 LEDs)	
Temperature	EL167/3L*K
3000K	199.7
4200K	205.1
5100K	206

Absolute Lumens (9 LEDs)	
Temperature	EL167/9L*K
3000K	618.7
4200K	703.6
5100K	823.9

Lumens Per Watt (3 LEDs)	
Temperature	EL167/3L*K
3000K	37.7
4200K	38.7
5100K	38.9

Lumens Per Watt (9 LEDs)	
Temperature	EL167/9L*K
3000K	52.0
4200K	59.1
5100K	69.2

Kim Lighting reserves the right to change specifications without notice.