

**Type:**  
**Job:**  
**Ordering Example:**

**1A / AE17H3 / 150PMH277 / LG-P / HA14S-TM1**

Mtg    Fixture                    Elec Module                    Finish                    Option

**Ordering Information**

Always refer to the specific luminaire catalog, and the ordering information page within that catalog. Place the optional Heritage Arm catalog number as an "Option" following the Fixture catalog numbers.

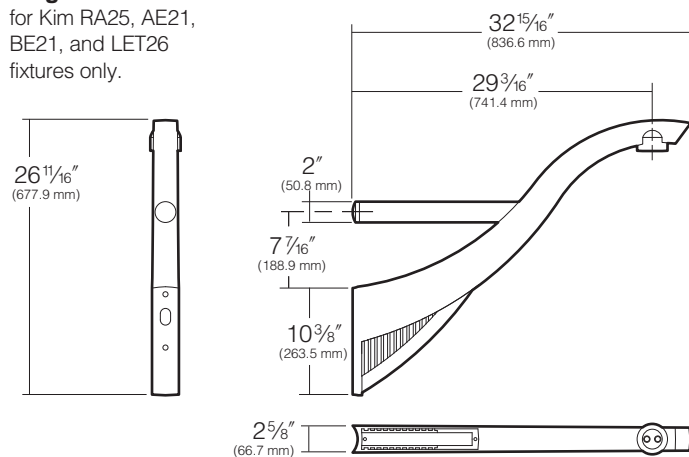
**Approvals:**

**Date:**  
**Page: 1 of 3**

## Specifications

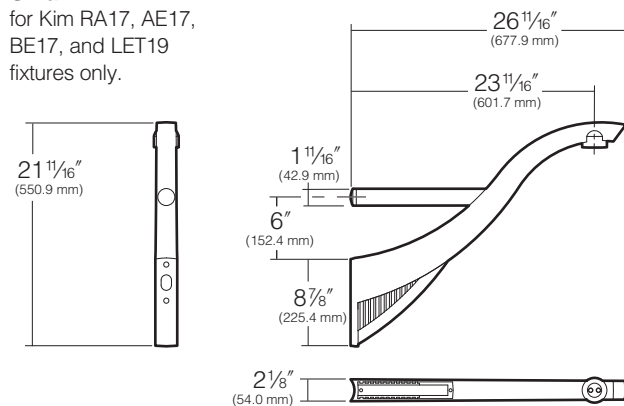
**HA14L  
Large Arm**

for Kim RA25, AE21, BE21, and LET26 fixtures only.



**HA14S  
Small Arm**

for Kim RA17, AE17, BE17, and LET19 fixtures only.



**Arm:** One-piece, cast aluminum side-mounted arm, with extension brace and cover plate. Extension brace is extruded tube welded to arm casting at one end, and slips over cast pole adaptor on the other end. Fixture mounting arm is open for access to wiring connections and stainless steel mounting bolts, and enclosed by a mounted cast aluminum cover secured with stainless steel screws. Attachment to pole is by 3/8" stainless steel bolts. Stainless steel bolts thread into a pole backing plate located inside the pole. Pole backing plate is heavy gauge zinc plated steel, and includes a wire strain relief and grounding connection. For round poles, arm is circular cut for the specific pole diameter. Arm-to-luminaire attachment is by concealed stainless steel rods, projecting into the fixture where nuts and washers secure the mounting. Small arm utilizes 3/8" studs and large arm utilizes 1/2" studs.

**Finish:** Premium Super TGIC thermoset polyester powder coating, 2.5 mil nominal thickness, applied over a titanated zirconium conversion coating. Arm color is always provided to match the selected pole and luminaire color.

**Optional Arm Finial not available.**

**Optional Wall Mount:** (See page 3)

**Optional Tenon Mount:** (See page 3)






**NOTES:**

- 1) Refer to page **75** of Arms and Poles Selection Guide for wind map and application information.
- 2) Refer to pages **78** and **79** of Arms and Poles Selection Guide for luminaire Optical Centerline Matrix.
- 3) A regularly scheduled maintenance program must be established to insure paint coating is intact, corrosion or structural damage has not occurred, and all mounting rods, nuts and bolts are tight. Failure to do so could lead to damage or serious personal injury.

Type:  
Job:

Page: 2 of 3

## Standard Features

ERA® Arm	Arm/Fixture	Mounting Configuration					
HA14		Plan View:					
		Cat. No.:	<b>1A</b>	<b>2B</b>	<b>3Y</b>	<b>4C</b>	<b>1W</b>
	<b>Large</b>	EPA:					
	HA14L - RA25		2.6	5.2	6.4	6.9	n/a
	HA14L - AE21/BE21		2.5	5.0	6.1	6.5	n/a
	HA14L - LET26		2.6	5.2	6.4	6.9	n/a
	<b>Small</b>						
	HA14S - RA17		1.7	3.4	4.2	4.5	n/a
	HA14S - AE17/BE17		1.6	3.2	3.9	4.2	n/a
	HA14S - LET19		1.9	3.8	4.8	5.3	n/a

Type:

Job:

Page: 3 of 3

## Optional Features

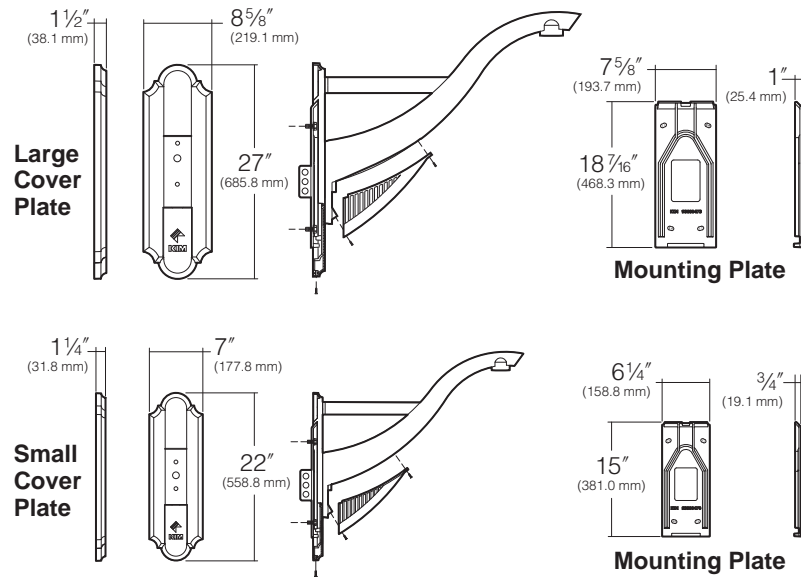
### Wall Mounting

Cat. No. **1W**

Select from Mounting on page **2**.

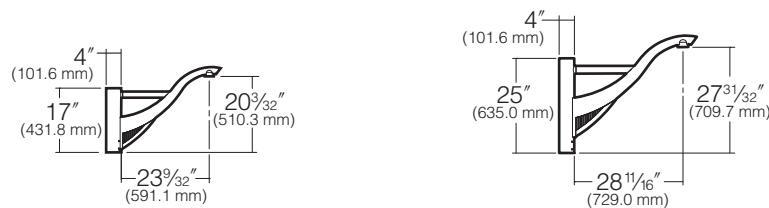
A cast mounting plate of aluminum is mounted to the wall with bolts (by others). Fixture and arm are mounted to a cast aluminum cover plate before attaching to the wall mounting plate. The fixture-arm-cover plate assembly is hooked to the wall mounting plate, and secured with stainless steel screws provided. After mounting to the wall, field splices are made at the opening in the cover plate, then covered by a cast aluminum plate that blends with the cover plate design. Complete fixture-arm-cover plate assembly can therefore be mounted before field splices are made. Cover plate is finished to match arm and fixture powder coat color.

**CAUTION:** Structural integrity of mounting plate attachment to wall is by others.



### Tenon Mount

(Poles by others)



**NOTE:** All small arm assemblies require a steel 2" pipe tenon (2 3/8" O.D.) x 4" long.

All large arm assemblies require a steel 2 1/2" pipe tenon (2 7/8" O.D.) x 4" long.

#### Side Pole

#### Neo-Classic Arm - Small

Cat. No.	Mounting
HA14S-TM1	1A
HA14S-TM2	2B
HA14S-TM3	3Y
HA14S-TM4	4C

#### Side Pole

#### Neo-Classic Arm - Large

Cat. No.	Mounting
HA14L-TM1	1A
HA14L-TM2	2B
HA14L-TM3	3Y
HA14L-TM4	4C