

KFL2RGBW

ARCHITECTURAL RGBW FLOOD

Architectural FLOODLIGHT COLLECTION

FEATURES

- Color Temperatures: Red, Green, Blue, White (5700K) and Red, Green, Blue, Warm White (2700K)
- Yoke and Threaded Knuckle mounting options
- 7 beam distributions for applications including Narrow Spot 7°x7°, Spot 10°x10°, Narrow 24°x24°, Medium 39°x38°, Medium Flood 51°x44°, Horizontal 39°x8°, and Vertical 8°x39°
- HUBBELL LIGHTING RGBW app (available on IOS and Android)



KFL2RGBW

CONTROL TECHNOLOGY



RELATED PRODUCTS

- [Ouro](#)
- [Pavilion](#)
- [Intent](#)

SPECIFICATIONS

CONSTRUCTION

- One piece die-cast, low copper (<0.6% Cu) Aluminum Alloy 360 with vents and .100" minimum wall thickness
- Finish: fade and abrasion resistant, electrostatically applied, thermally cured, triglycidal isocyanurate (TGIC) polyester powdercoat
- Lens is impact resistant 1/8" tempered glass with anti-reflective coating
- Lens has a one-piece extruded vulcanized silicone gasket, while the lens frame has a one-piece O-ring extruded vulcanized silicone gasket
- Mid-frame one piece die-cast, low copper (<0.6% Cu) Aluminum Alloy 360 and .100" minimum wall thickness
- Mid-frame secures to Lens Frame and housing by stainless steel recessed Allen-head screws
- Silicone gaskets throughout and all external fasteners are stainless steel

OPTICS

- LEDs mount to a metal printed circuit board assembly (MCPCB)
- Optical lenses are clear injection molded PMMA acrylic

INSTALLATION

- Fixtures must be grounded in accordance with national, state and/or local electrical codes. Failure to do so may result in serious personal injury

ELECTRICAL

- Universal voltage, 120 through 277V with a ±5% tolerance. Class II power unit
- High voltage, 347/480. Class II power unit. Output adjustable via potentiometer
- HV drivers will have greater than a 0.9 power factor, less than 20% harmonic distortion, and be suitable for operation in -40°C to 40°C ambient environments
- Working ambient temperature: -40°C to 40°C
- Dimming range from 10% to 100% through the use of standard 0-10V interface on the programmable driver
- Modular wiring harness in the service area provides user access to the dimming circuitry
- Optional factory programmed dimming profile
- Surge protection: 10,000k in parallel, 20,000k in series
- SF for 120, 277, 347 Line volts
DF for 208, 240, 480 Line volts
- Wiring: No. 18AWM rated 105°C, wet rating.

CERTIFICATIONS AND LISTINGS.

- Listed to UL1598 and CSA C22.2#250.0-24 for wet locations and 40°C ambient temperatures.
- IP66 certified.
- 3G rated for ANSI C136.31 high vibration applications.
- RoHS compliant.
- IEC 66262 Mechanical Impact Code IK08.
- This product qualifies as a "designated country construction material" per FAR 52.225-11 and -9 Buy American-Construction Materials under Trade Agreements effective 04/23/2020. See [Buy American Solutions..](#)

WARRANTY

- 5 year warranty
- See [HLI Standard Warranty](#) for additional information

KEY DATA	
Wattage Range	15-35
Efficacy Range (LPW)	45.2-67
Reported Life (Hours)	L70/60,000
Weight	12 lbs 5.44 kg
EPA Front View / Side View	.75 / .31

ORDERING GUIDE

Example: KFL2RGBW-11L-15-RGBW-SP-UNV-K-GTT

CATALOG #

HOUSING

KFL2		-	-	-	-	-	-
Housing	LED Engine	CCT/CRI	Beam Spread	Voltage	Mounting		
KFL2RGBW Architectural RGBW Floodlight	11L-15 15W	RGBW Red, Green, Blue, White (5700K) RGBWW Red, Green, Blue, White (2700K)	NS Narrow Spot SP Spot N Narrow M Medium MF Medium Flood HF Horizontal Flood VF Vertical Flood	UNV 120–277V 347 347V 480 480V	Y Architectural Yoke K Threaded Knuckle		
	11L-35 35W						

Color	Options	Optical Options
BLS Black Gloss Smooth	SF Single Fuse 120, 277, 347 Line Volts	BD Barn Doors
BLT Black Matte Textured	DF Double Fuse 208, 240, 480 Line Volts	HS Half Glare Shield
DBS Dark Bronze Gloss Smooth		
DBT Dark Bronze Matte Textured		
GTT Graphite Matte Textured		
LGS Light Grey Gloss Smooth		
LGT Light Grey Matte Textured		
PSS Platinum Silver Gloss Smooth		
VGT Verde Green Matte Textured		
WHS White Gloss Smooth		
WHT White Matte Textured		

Mounting Accessories		Accessories Color
JBR 2/3/21/24 ²	Brass In-Grade Architectural Junction Box	BLS Black Gloss Smooth
JBR 4/5 ²	Composite In-Grade Architectural Junction Box	BLT Black Matte Textured
JBR30 ²	(2) ½" NPT in bottom, (2) 19" long stakes Brass In-Grade Staked Junction Box	DBS Dark Bronze Gloss Smooth
JBR32 ²	(2) ½" NPT in bottom, (2) 19" long stakes with 9' cord Brass In-Grade Staked Junction Box	DBT Dark Bronze Matte Textured
J-27N	Surface Mount	GTT Graphite Matte Textured
SM18	Stanchion Mount	LGS Light Grey Gloss Smooth
SPM	Side Pole Mount	LGT Light Grey Matte Textured
JB1	Architectural Junction Box	PSS Platinum Silver Gloss Smooth
WM	Wall or Ceiling Mount	VGT Verde Green Matte Textured
WM1	Wall Mount	WHS White Gloss Smooth
TM2	Twin Mount	WHT White Matte Textured
PT	Post Top Mount	
PT2	Twin Post Top Mount	

Notes:

- 1 Consult factory for custom color, marine and corrosive finish options
- 2 [See pages 9 for all JBR options and ordering logic](#)

DATE:	LOCATION:
TYPE:	PROJECT:
CATALOG #:	

SPECIFICATIONS CONT'D

CONTROLS

Each fixture comes equipment with a dual control driver that supports Bluetooth® operation of individual fixtures or DMX control of an entire system of fixtures. DMX:

Fully DMX/RDM Compatible

Utilizes 4 DMX Channels per fixture

Modular wiring harness in the service area provides user access to the dimming circuitry via DMX.

DMX Map

- Start Address – Red
- Start Address +1 – Green
- Start Address +2 – Blue
- Start Address +3 – White
- **DMX Addressing** is performed by using a compatible RDM handheld unit or via the Bluetooth® App.
- Performed by using a compatible RDM handheld unit or via the Bluetooth® App

DMX Wiring Color Code

- Red Wire – DMX +
- Brown Wire – DMX-
- Yellow Wire – Shield/Ground
- DMX termination must be achieved by adding a DMX terminator to the last fixture in a Daisy-Chain. Fixture does not auto terminate.
- Kim Lighting is proud to offer the Pharos Architectural Controls DMX Controllers and Touch screens. See Pharos Spec Sheet for more details.
See the [Pharos® Spec Sheet](#) for more details.

Bluetooth® Mobile App:

- Mobile App specification in additional information section.
- Mobile App. dimming range from 0% to 100% through the use of HUBBELL LIGHTING RGBW app (available on IOS and Android).
- Color selection and adjustment.
- Camera function for color matching.
- Intensity slider for dimming/ramping up.
- Save and rename up to 10 presets.
- Group and rename fixtures.
- Fixture is password protected, refer to instructions to set unique password.
- Modular wiring harness in the service area provides user access to the dimming circuitry via DMX.



The Bluetooth® word mark and logos are registered trademarks owned by Bluetooth® SIG, Inc. and any use of such marks by Kim Lighting is under license. Other trademarks and trade names are those of their respective owners. Apple, the Apple logo, iPad, iPhone, and iPod Touch are trademarks of Apple Inc., registered in the U.S. and other countries. App Store is a service mark of Apple Inc. Google Play is a trademark of Google Inc.



DELIVERED LUMENS

LED #	Nominal Wattage	Distribution	Beam Angles	RGBW White (5700K)			RGBWW Warm White (2700K)		
				Lumen	Center Beam Candlepower	lm/w	Lumen	Center Beam Candlepower	lm/w
11L	15	SP	8° x 8°	960	26045	63.7	809	21899	53.7
		NS	7° x 7°	971	26551	64.4	818	22340	54.3
		N	24° x 24°	1010	4717	67.0	851	3972	56.5
		M	39° x 38°	979	2186	65.2	825	1841	54.7
		MF	51° x 44°	833	986	55.2	702	830	46.6
		HF	39° x 8°	989	7490	65.6	833	6301	55.3
		VF	8° x 39°	994	7487	66.0	837	6296	55.6
11L	35	SP	10° x 10°	2184	47017	61.9	1840	39589	52.1
		NS	7° x 7°	2209	60403	62.6	1861	50888	52.7
		N	24° x 24°	2298	10726	65.1	1935	9032	54.8
		M	39° x 38°	2227	4973	63.1	1876	4187	53.1
		MF	51° x 44°	1895	2243	53.7	1596	1888	45.2
		HF	39° x 8°	2250	17040	63.7	1895	14352	53.7
		VF	8° x 39°	2263	17044	64.1	1906	14355	54.0

Multipliers		
KFL	RGBW	RGBWW
Red	0.44	0.52
Green	0.94	1.11
Blue	0.17	0.20
White	1.00	1.00

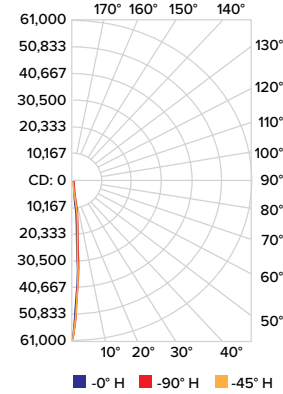
PHOTOMETRY

KFL2-11L-35-RGBW-NS

LUMINAIRE DATA

Description	5700K
Delivered Lumens	2208
Watts	35.3
Efficacy	62.5
Beam Angles (H x V)	7.7° x 7.3°
Center Beam Candlepower	60403

POLAR CANDELA DISTRIBUTION



ILLUMINANCE AT A DISTANCE

	Center Beam fc	Beam Width	
8.3 ft	877.00 fc	1.1 ft	1.1 ft
16.7 ft	217.00 fc	2.1 ft	2.2 ft
25.0 ft	96.60 fc	3.2 ft	3.4 ft
33.3 ft	54.50 fc	4.3 ft	4.5 ft
41.7 ft	34.70 fc	5.3 ft	5.6 ft
50.0 ft	24.20 fc	6.4 ft	6.7 ft

■ Vertical Spread: 7.3° ■ Horizontal Spread: 7.7°

LUMENS PER ZONE

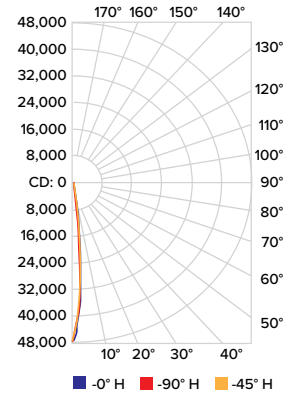
Zone	Lumens	% Total
0-10	1,472.50	65.70%
10-20	398.70	17.80%
20-30	229.7	10.20%
30-40	100.9	4.50%
40-50	26.3	1.20%
50-60	7.7	0.30%
60-70	4.4	0.20%
70-80	2	0.10%
80-90	0.2	0.00%

KFL2-11L-35-RGBW-SP

LUMINAIRE DATA

Description	5700K
Delivered Lumens	2184
Watts	35.3
Efficacy	61.9
Beam Angles (H x V)	10° x 9.9°
Center Beam Candlepower	47017

POLAR CANDELA DISTRIBUTION



ILLUMINANCE AT A DISTANCE

	Center Beam fc	Beam Width	
8.3 ft	681.0 fc	1.4 ft	1.5 ft
16.7 ft	168.0 fc	2.9 ft	2.9 ft
25.0 ft	75.1 fc	4.3 ft	4.4 ft
33.3 ft	42.3 fc	5.8 ft	5.8 ft
41.7 ft	27.0 fc	7.2 ft	7.3 ft
50.0 ft	18.8 fc	8.6 ft	8.8 ft

■ Vertical Spread: 9.9° ■ Horizontal Spread: 10.0°

LUMENS PER ZONE

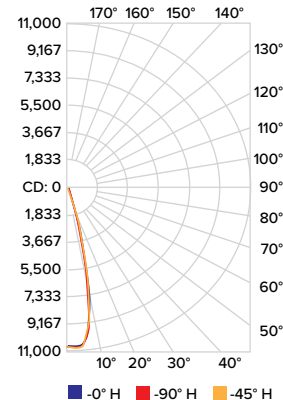
Zone	Lumens	% Total
0-10	1,581.70	71.30%
10-20	312.40	14.10%
20-30	183.2	8.30%
30-40	98.1	4.40%
40-50	30.6	1.40%
50-60	6.8	0.30%
60-70	3.6	0.20%
70-80	2.2	0.10%
80-90	1	0.00%

KFL2-11L-35-RGBW-N

LUMINAIRE DATA

Description	5700K
Delivered Lumens	2297
Watts	35.3
Efficacy	65.1
Beam Angles (H x V)	24.9° x 24.4°
Center Beam Candlepower	10726

POLAR CANDELA DISTRIBUTION



ILLUMINANCE AT A DISTANCE

	Center Beam fc	Beam Width	
8.3 ft	154.00 fc	3.6 ft	3.7 ft
16.7 ft	38.00 fc	7.2 ft	7.4 ft
25.0 ft	17.00 fc	10.8 ft	11.0 ft
33.3 ft	9.56 fc	14.4 ft	14.7 ft
41.7 ft	6.10 fc	18.0 ft	18.4 ft
50.0 ft	4.24 fc	21.6 ft	22.1 ft

■ Vertical Spread: 24.4° ■ Horizontal Spread: 24.9°

LUMENS PER ZONE

Zone	Lumens	% Total
0-10	920.4	40.00%
10-20	939.3	40.80%
20-30	248.20	10.80%
30-40	118.8	5.20%
40-50	48.3	2.10%
50-60	16.8	0.70%
60-70	6.8	0.30%
70-80	2.8	0.10%
80-90	0.4	0.00%

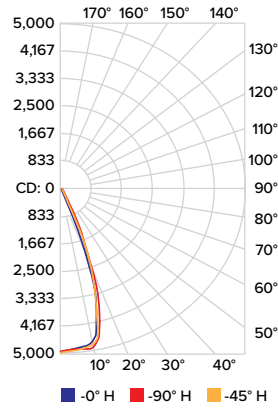
PHOTOMETRY CONTINUED

KFL2-11L-35-RGBW-M

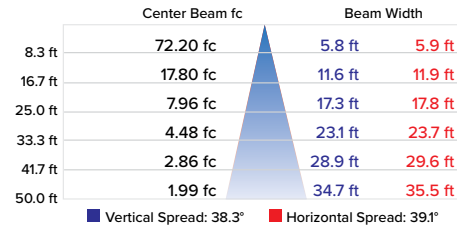
LUMINAIRE DATA

Description	5700K
Delivered Lumens	2227
Watts	35.3
Efficacy	63.1
Beam Angles (H x V)	39.1° x 38.3°
Center Beam Candlepower	4973

POLAR CANDELA DISTRIBUTION



ILLUMINANCE AT A DISTANCE



LUMENS PER ZONE

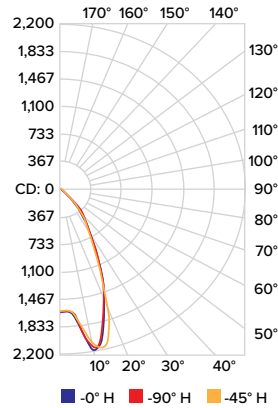
Zone	Lumens	% Total
0-10	467.8	21.00%
10-20	1,056.10	47.40%
20-30	480.80	21.60%
30-40	140.80	6.30%
40-50	54.1	2.40%
50-60	19	0.90%
60-70	7.9	0.40%
70-80	2.9	0.10%
80-90	0.4	0.00%

KFL2-11L-35-RGBW-MF

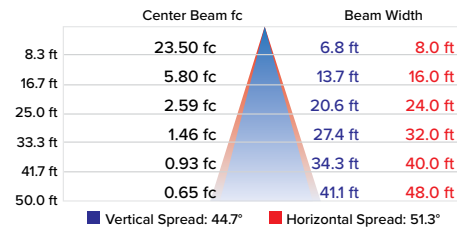
LUMINAIRE DATA

Description	5700K
Delivered Lumens	1895
Watts	35.3
Efficacy	53.7
Beam Angles (H x V)	51.3° x 44.7°
Center Beam Candlepower	2243

POLAR CANDELA DISTRIBUTION



ILLUMINANCE AT A DISTANCE



LUMENS PER ZONE

Zone	Lumens	% Total
0-10	173.1	9.10%
10-20	553	29.20%
20-30	520.9	27.50%
30-40	350.1	18.50%
40-50	196	10.30%
50-60	72.6	3.80%
60-70	20.1	1.10%
70-80	7.8	0.40%
80-90	3.1	0.20%

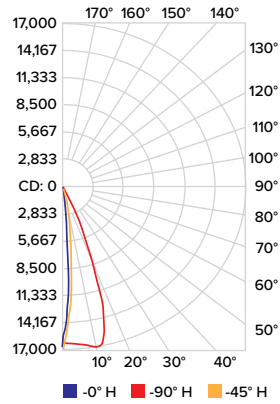
PHOTOMETRY CONTINUED

KFL2-11L-35-RGBW-HF

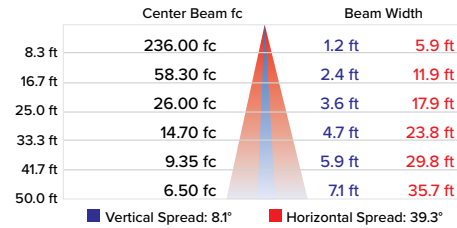
LUMINAIRE DATA

Description	5700K
Delivered Lumens	2250
Watts	35.3
Efficacy	63.7
Beam Angles (H x V)	39° x 9°
Center Beam Candlepower	17040

POLAR CANDELA DISTRIBUTION



ILLUMINANCE AT A DISTANCE



LUMENS PER ZONE

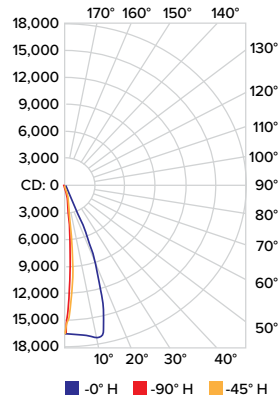
Zone	Lumens	% Total
0-10	787.2	34.80%
10-20	942.4	41.70%
20-30	359.6	15.90%
30-40	110.1	4.90%
40-50	39.8	1.80%
50-60	13.8	0.60%
60-70	5.8	0.30%
70-80	2.4	0.10%
80-90	0.4	0.00%

KFL2-11L-35-RGBW-VF

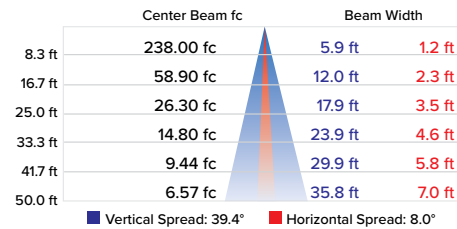
LUMINAIRE DATA

Description	5700K
Delivered Lumens	2263
Watts	35.3
Efficacy	64.1
Beam Angles (H x V)	8° x 39.4°
Center Beam Candlepower	17044

POLAR CANDELA DISTRIBUTION



ILLUMINANCE AT A DISTANCE

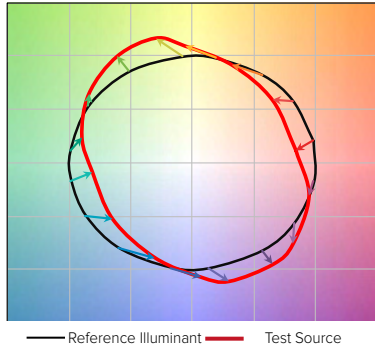


LUMENS PER ZONE

Zone	Lumens	% Total
0-10	781.6	34.40%
10-20	951.9	41.80%
20-30	367.1	16.10%
30-40	111.7	4.90%
40-50	40.4	1.80%
50-60	13.9	0.60%
60-70	5.8	0.30%
70-80	2.4	0.10%
80-90	0.4	0.00%

TM-30 DATA

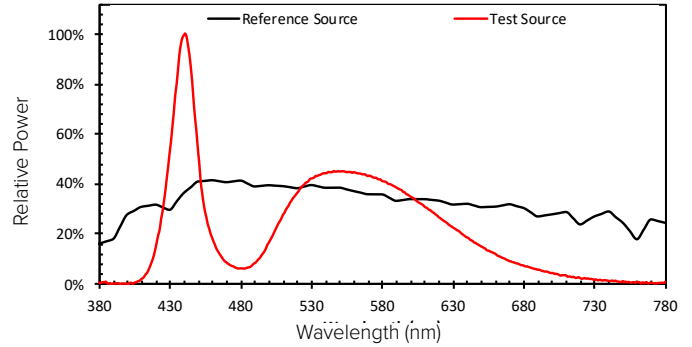
COLOR VECTOR GRAPHIC



TEST SOURCE

R _f	64
R _g	98
CCT(K)	6127
D _{uv}	-0.0005
x	0.3198
y	0.3286
CIE R _a	69

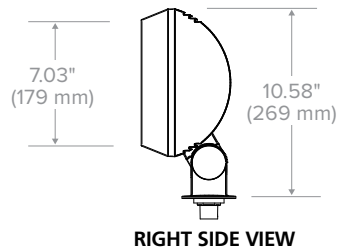
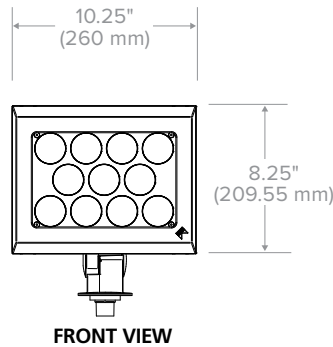
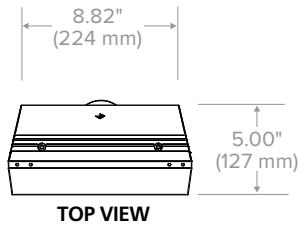
SPECTRAL POWER DISTRIBUTION COMPARISON



ELECTRICAL DATA

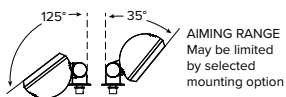
Electrical										
Light Engine	System Watts	Drive Current	Line Voltage		Amps AC					
			VAC	Hz	120	208	240	277	347	480
11L	15	350 mA	120-480	50/60	0.22	0.12	0.11	0.09	0.07	0.05
	35	700 mA	120-480	50/60	0.50	0.29	0.25	0.22	0.17	0.13

DIMENSIONS

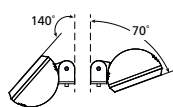


AIMING RANGE

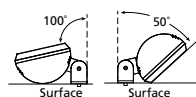
THREADED KNUCKLE



YOKE AIMING RANGE



YOKE AIMING RANGE WITH GROUND RESTRICTIONS



KFL2RGBW

ARCHITECTURAL RGBW FLOOD

PRODUCT EXCEPTIONS & DETAILS

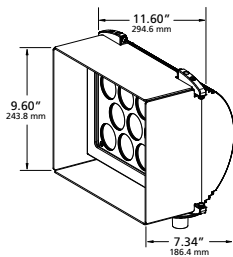
OPTICAL OPTIONS

BARN DOORS (BD)

- Formed 3/32" thick aluminum. Each door is hinged to a cast, low copper (<0.6% Cu) aluminum frame, and locks by set screws. Doors are individually removable. Barn Door assembly mounts to predrilled door frame holes. Assembly will be painted to match fixture housing.

CAUTION:

- Not recommended for ground mounted fixtures in vandal prone areas.

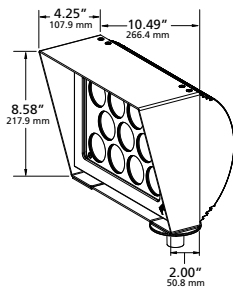


HALF GLARE SHIELD (HS)

- Formed 3/32" thick aluminum. Mounts to predrilled door frame holes. Can be mounted along the top or bottom of the fixture to shield the lamp and lens from view. Assembly will be painted to match fixture housing.

CAUTION:

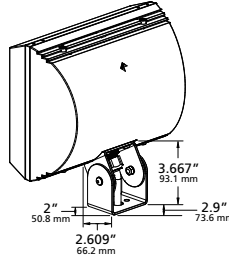
- Not recommended for ground mounted fixtures in vandal prone areas.



MOUNTING OPTIONS

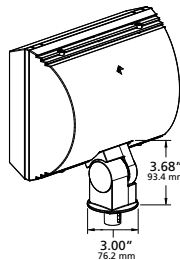
ARCHITECTURAL YOKE (Y)

- Architectural Yoke Mount used for surface mounting applications. Secured to surface using two 1/4" bolts.
- Yoke is stainless steel material with powder coating finish.



THREADED KNUCKLE (K)

- Threaded Knuckle is die-cast aluminum with integral locking teeth providing 5° adjustment intervals. Stainless steel allen-head screw with spring locking washer and 1/2" NPSM. Clear anodized prior to chromate conversion coating for added corrosion resistance.
- Threaded Knuckle mounting used in conjunction with mounting accessories listed on page 1.



KFL2RGBW
ARCHITECTURAL RGBW FLOOD

PRODUCT EXCEPTIONS & DETAILS CONTINUED

MOUNTING ACCESSORIES

BRASS IN-GRADE ARCHITECTURAL JUNCTION BOX (THREADED KNUCKLE MOUNT ONLY)

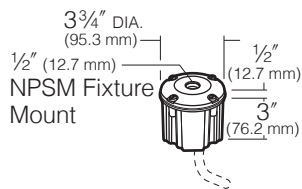
JBR-2 (2) 1/2" NPT in bottom

JBR-3. (2) 3/4" NPT in bottom

JBR21 (2) 1/2" NPT in sides (2) 1/2" NPT in bottom

JBR24 (4) 1/2" NPT in sides (2) 1/2" NPT in bottom

Die-cast brass with 1/2" NPSM fixture mount and die-cast cover. Internal set screw provided for locking position. 21 cu in. internal volume. NOTE: All side taps provided with plugs. Creates a flush-mounted appearance. May be cast in concrete for increased stability. **CAUTION:** Fixture stem and swivel must not contact soil or standing water. Provide drainage away from junction box.

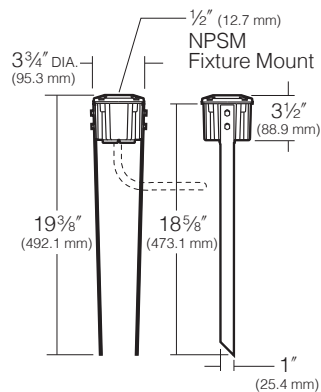


BRASS IN-GRADE STAKED JUNCTION BOX (THREADED KNUCKLE MOUNT ONLY)

JBR-30 (2) 1/2" NPT in bottom, (2) 19" long stakes Brass In-Grade Staked Junction Box

JBR-32. (2) 19" long stakes

Die-cast brass with 1/2" NPSM fixture mount and die-cast cover. Internal set screw provided for locking position. 21 cu in. internal volume. Creates a flush-mounted appearance. May be cast in concrete for increased stability. **CAUTION:** To assure a rigid installation, Staked Junction Box must be set in concrete (by others). Fixture stem and swivel must not contact soil or standing water. Provide drainage away from junction box.



COMPOSITE IN-GRADE ARCHITECTURAL JUNCTION BOX

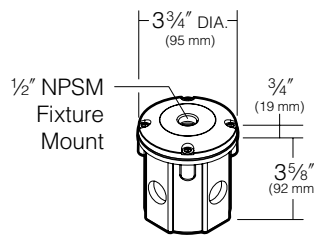
JBR-4 (2) 1/2" NPT knock-outs in bottom (4) 1/2" NPT knock-outs on sides at 90°

JBR-5 Same as above but with brass cover

Composite box with 1/2" NPSM fixture mount and composite cover. Internal set screw provided for locking position. 19 cu in. internal volume.

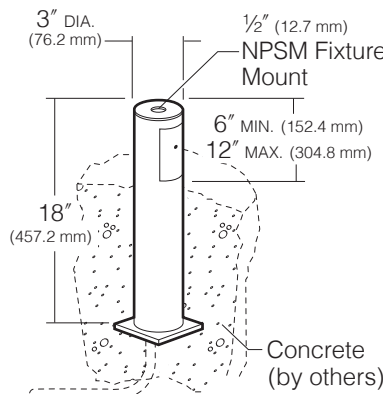
NOTE: May also be used to hard mount low voltage fixtures.

CAUTION: Fixture stem and swivel must not contact soil or standing water. Provide drainage away from junction box.



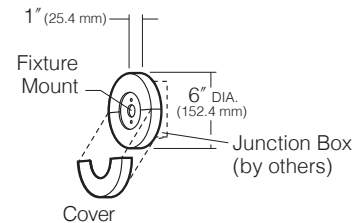
STANCHION MOUNT (SM18) (THREADED KNUCKLE MOUNT ONLY)

3" O.D. by .188" wall cast low copper (<0.6% Cu) aluminum with 1/2" NPSM fixture mount and hand hole with flush cover. Internal set screw fixture lock accessible through hand hole. Internal ground lug supplied with installed lead. **CAUTION:** To assure a rigid installation, stanchion must be set in concrete (by others).



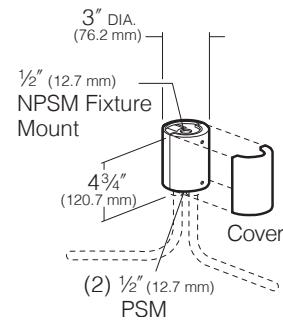
WALL OR CEILING MOUNT (WM) (THREADED KNUCKLE MOUNT ONLY)

Electro zinc steel mounting plate adapts to standard 4" square or octagonal Junction Boxes. Fixture mounts to cast low copper (<0.6% Cu) aluminum upper cover which attaches to mounting plate. Lower cover half provides splice access. Dielectric sealing compound provided for wall interface.



ARCHITECTURAL JUNCTION BOX (JB1) (THREADED KNUCKLE MOUNT ONLY)

Die-cast, low copper (<0.6% Cu) anodized aluminum with 1/2" NPSM fixture mount. Internal set screw provided for locking position. Two 1/2" NPSM in bottom, 17 cu in. internal volume. **CAUTION:** Junction Box must be installed high enough to avoid contact with soil or standing water.

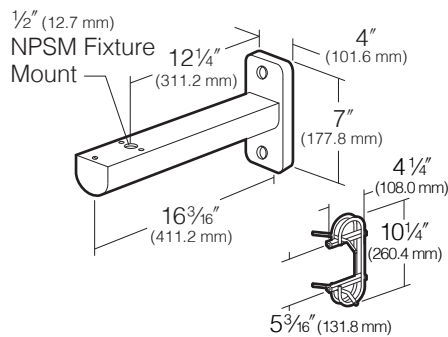


PRODUCT EXCEPTIONS & DETAILS CONTINUED

MOUNTING ACCESSORIES

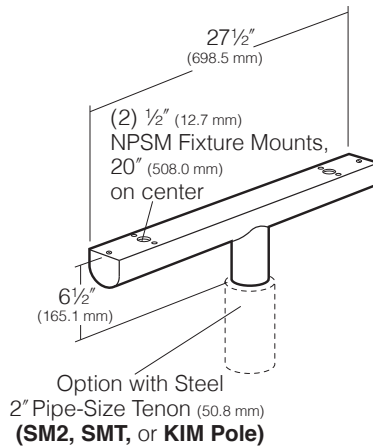
**WALL MOUNT (WM1)
(THREADED KNUCKLE MOUNT ONLY)**

- Extruded aluminum arm with a removable end cap for wiring access. Arm is welded to a cast aluminum plate with two 1/2" dia. mounting holes. Optional Wall Embedment Bracket (WEB) provides 3/8-16 bolt receptacles welded in a galvanized re-bar cage for casting into poured-in-place concrete walls. Bolt receptacles receive fixture attachment bolts. Component EPA: 0.3.



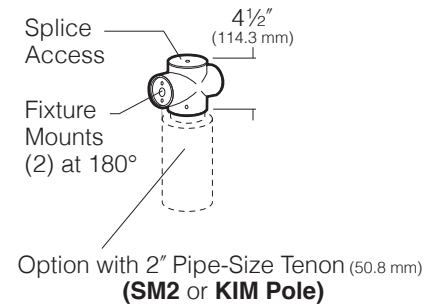
**TWIN MOUNT (TM2)
(THREADED KNUCKLE MOUNT ONLY)**

- Extruded aluminum arm. Internal set screw fixture locks. Can be mounted on a SM2, SMT, or Steel Kim Pole with steel 2" pipe-size tenon (2-3/8" O.D. x 3-1/2" min. length). Removable end caps for wiring access. CAUTION: Approved for mounting to poles with steel tenons only. Component EPA: 0.6.



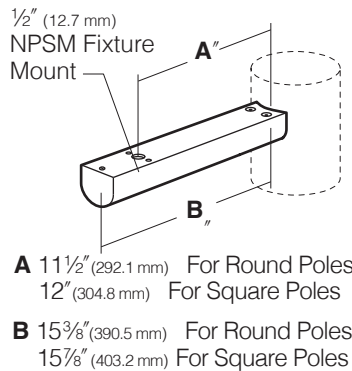
**TWIN POST TOP MOUNT (PT2)
(YOKE MOUNT ONLY)**

- Cast aluminum mount for pole or other mounting option with 2" pipe-size tenon (2-3/8" O.D. x 3-1/2" minimum length). Fixture attaches with concealed internal studs, mounting is with 1/4-20 allen set screws. Top cap provides splice access. NOTE: Not for use with SMT, SPT, WM2, M2B, or M3E options. Component EPA: 0.1.



**SIDE POLE MOUNT (SPM-X)
(THREADED KNUCKLE MOUNT ONLY)**

- Available for Round and Square Poles. Extruded aluminum arm. Internal set screw fixture lock. Removable end cap for wiring access. For use with other Kim Site/Roadway Luminaires as an additional mid-pole floodlight. X in Side Pole Mount Cat. No. indicates 3", 3-1/2", 4", 5" or 6" pole dia. Example: SPM-4/BL is for 4" round pole with Black finish. For square poles, omit -X. NOTE: Field drilling of Poles is required. Component EPA: 0.3.



**POST TOP MOUNT (PT)
(YOKE MOUNT ONLY)**

- Cast aluminum mount for pole or other mounting option with 2" pipe-size tenon (2-3/8" O.D. x 3-1/2" minimum length). Fixture attaches with concealed internal studs, mounting is with 1/4-20 allen set screws. Top cap provides splice access. Component EPA: 0.7.

