

Type:  
 Job:

Fixture Catalog number:

Fixture / Mode / Ordered assembled with fixture

Fixture Options:

Ordered Separately from Fixture  
 See pages 2-3

Approvals:

Date:  
 Page: 1 of 3

## Specifications

**Lens Ring:** Die-cast brass with natural finish or optional brushed stainless steel. Five captive 1/4" blackened stainless steel hex-socket cap screws.

**Lens:** Clear tempered soda lime, 3/16" thick, flush with lens ring, slightly crowned.

**Lens Gasket:** One-piece molded silicone, U-channel wraps completely around lens flange.

**Die-Cast Brass Housing:** Heavy wall die-cast brass.

**Integral Junction Box:** Die-cast brass with stainless steel flat head slotted screws and molded silicone gasket. Die-cast internal junction box cover with silicone gasket and anti-siphon plug, two 1/2" NPT taps in bottom, 12 cu in. volume.

**Optical System:** A total of 3 or 9 LED emitters configured in a rectangular array comprised together as a module. Available in 3000K, 4000K, and 5000K.

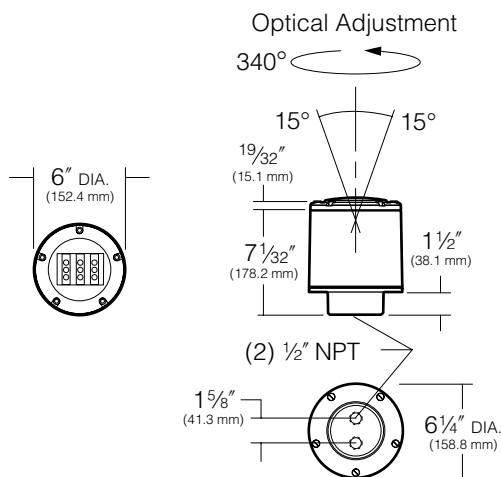
**LED Driver:** Universal Voltage from 120 to 277V with a ±10% tolerance. 0°F. starting temperature. All drivers are Underwriters Laboratories recognized.

## ORDERING INFORMATION

Fixture	Source
<input type="checkbox"/> LTV768WF/ 3L3KUV <sup>1</sup>	3.6W, 3 LED's, 3000K
<input type="checkbox"/> LTV768WF/ 3L4KUV <sup>1</sup>	3.6W, 3 LED's, 4000K
<input type="checkbox"/> LTV768WF/ 3L5KUV <sup>1</sup>	3.6W, 3 LED's, 5000K

Fixture	Source
<input type="checkbox"/> LTV768WF/ 9L3KUV <sup>1</sup>	10.8W, 9 LED's, 3000K
<input type="checkbox"/> LTV768WF/ 9L4KUV <sup>1</sup>	10.8W, 9 LED's, 4000K
<input type="checkbox"/> LTV768WF/ 9L5KUV <sup>1</sup>	10.8W 9 LED's, 5000K

<sup>1</sup> Universal Voltage from 120 to 277V with a ±10% tolerance.  
 For 3.6W, Max Amps. are .030 for 120V, .020 for 208V, .015 for 240V, .013 for 277V. For 10.8W, Max Amps. are .090 for 120V, .050 for 208V, .045 for 240V, .040 for 277V.



U.S. PATENTS D410,295 AND D411,640



### Listings and Ratings

UL cUL 1598 <sup>1</sup>	IP68 Rated	25C Ambient
--------------------------	------------	-------------

<sup>1</sup>Suitable for wet locations

KIM LIGHTING RESERVES THE RIGHT TO CHANGE SPECIFICATIONS WITHOUT NOTICE.

Type:  
 Job:



## Fixture Options

Ordered Separately from Fixture

<p><b>Brushed Stainless Steel Lens Ring</b></p> <p>Cat. No. <input type="checkbox"/> <b>SS60</b>  <input type="checkbox"/> <b>SS60 (Assembled)</b>  <input type="checkbox"/> <b>No Option</b></p>	<p>Brushed stainless steel lens ring replaces standard lens ring. Includes mounting screws.</p> <p>May be ordered separately. To order assembled with fixture, add to fixture <b>Cat. No.</b> - Example: <b>LTV768WF/9L5KUV/SS60</b>.</p> <p>Replaces standard lens ring.</p>	<p>6" DIA. (152.4 mm)</p>
<p><b>Half Shield</b></p> <p>Cat. No. <input type="checkbox"/> <b>HS60</b>  <input type="checkbox"/> <b>HS60 (Assembled)</b>  <input type="checkbox"/> <b>No Option</b></p>	<p>Lens ring for directional glare control toward the viewer. One-piece cast bronze, replaces standard lens ring. Includes glass lens gasket and mounting screws.</p> <p>May be ordered separately. To order assembled with fixture, add to fixture <b>Cat. No.</b> - Example: <b>LTV768WF/9L5KUV/HS60</b>.</p> <p>Replaces standard lens ring.</p> <p><b>NOTE:</b> Cast bronze only.</p>	<p>6" DIA. (152 mm)</p> <p>3" (76 mm)</p> <p><b>HS60</b></p>
<p><b>Rock Guard</b></p> <p>Cat. No. <input type="checkbox"/> <b>RG60</b>  <input type="checkbox"/> <b>RG60 (Assembled)</b>  <input type="checkbox"/> <b>No Option</b></p>	<p>Lens ring for lens protection in vandal prone areas. One-piece cast bronze, replaces standard lens ring. Includes glass lens gasket and mounting screws.</p> <p>May be ordered separately. To order assembled with fixture, add to fixture <b>Cat. No.</b> - Example: <b>LTV768WF/9L5KUV/RG60</b>.</p> <p>Replaces standard lens ring.</p> <p><b>NOTE:</b> Cast bronze only.</p>	<p>6" DIA. (152 mm)</p> <p>1 3/16" (30 mm)</p> <p><b>RG60</b></p>
<p><b>Trim Ring</b></p> <p>Cat. No. <input type="checkbox"/> <b>TR60</b>  <input type="checkbox"/> <b>No Option</b></p>	<p>For flush mounting of fixture in concrete pad or paving. Brass ring clamps to housing with stainless steel screw.</p> <p><b>NOTE:</b> Brass only.</p>	<p>6 1/4" DIA. (159 mm)</p> <p>2" (51 mm)</p> <p><b>TR60</b></p>

Type:  
 Job:



## Fixture Options

Ordered Separately from Fixture

### Lens Accessories

Cat. No. (See right)

No Option

**PL73 - Prismatic Lens:** Softens lamp distribution and flattens beam spread. Best with flood lamps. Inserts behind lens into lens gasket. Cannot be used in combination with **HL** series Louvers.

Cat. No.

**PL73** Prismatic Lens



**SL73 - Spread Lens:** Creates an oval beam pattern, more narrow in one beam axis. Best with spot lamps. Inserts behind lens into lens gasket. Cannot be used in combination with **HL** series Louvers.

Cat. No.

**SL73** Spread Lens



### Colored LEDs

Consult factory for color options.



## Lumen Data

### LTV768 In-Grade Minivault

	Source	Color Temperature	Absolute Lumens	Center Beam Candle Power*	Voltage	Total System Watts	Beam Angle	Max. Amps
	3L	3K	216	84	UV	4.5W	110	.037 for 120V
		4K	221	98				.021 for 208V
		5K	223	100				.018 for 240V .016 for 277V
	9L	3K	643	248		9.5W	110	.079 for 120V
		4K	660	253				.045 for 208V
		5K	668	256				.039 for 240V .034 for 277V