

# LTV8DM

INGRADE



## FEATURES

- Sealed IP68 LED light engine
- Bluetooth connectivity for remote control aiming and dimming
- Free Mobile App for Android and iOS
- Easy to install and pair devices
- Advanced thermal management provides long life in excess of 100,000+ hours
- Runs cool to the touch - less than 40°C



Lightvault 8 Directional Marker

## CONTROL TECHNOLOGY



### RELATED PRODUCTS

[LTV8FF RGBW](#)

[LTV8SS](#)

[LTV8SS RGBW](#)

## SPECIFICATIONS

### HOUSING:

- Pour Box rough-in housing for installation below grade
- High temperature UV resistant thermal plastic, 3/16" minimum wall, black
- Includes a splice box with molded plastic splice cover and silicone gasket
- Three 1" NPT in bottom for through wiring on LTV81 and LTV82
- Two 1" NPT in bottom for through wiring on LTV83. 107 cu. in. splice area for LTV81
- 52 cu. in. splice area for LTV82. 24 cu. in. splice area for LTV83
- Rough-in housing supplied with a protective aluminum debris shield and includes an orientation label for proper installation alignment. This allows for clean and easy installation in concrete pad or soil. Pour Box can be shipped separately as a quick-ship if requested
- One-piece impregnated cast bronze component module is fully sealed and secured to the face trim from the underside
- A high temperature, anti-siphon, IP68 sealed cable extends from the component module to the splice box inside the housing
- The fully assembled component module is secured to the housing with (4) ¼-20 tamper-resistant and high grade stainless steel fasteners
- One-piece cast bronze lens ring fastens to the component module from the underside and provides a flat surface

### HOUSING (CONTINUED):

- Slip Resistant Lens (SR) and Rebar Cage Anchor (RCA81)
- When installed in concrete, fixture will withstand drive-over by vehicles weighing up to 4,500 lb.
- Optional Rebar Cage Anchor (RCA8x)

### DRIVE-OVER DURABILITY:

- LTV83DM when installed in concrete, fixture will withstand drive-over by vehicles weighing up to 5,000 lbs.

### OPTICS

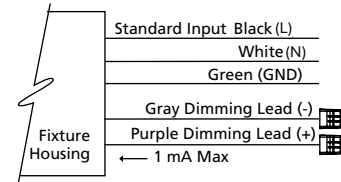
- (LTV81DMF) eight 3-LED modules secured directly to face trim and aimed out eight windows for a 360° distribution.
- (LTV81DMH) four 3-LED modules secured directly to face trim and aimed out four of eight windows for a 180° distribution.
- (LTV82DMF) six 3-LED modules secured directly to face trim and aimed out six windows for a 360° distribution.
- (LTV82DMH) three 3-LED modules secured directly to face trim and aimed out three of six windows for a 180° distribution.
- (LTV83DMF) four 3-LED modules secured directly to the face trim and aimed out four windows for a 360° distribution.
- (LTV83DMH) two 3-LED modules secured directly to the face trim and aimed out two of the four windows for a 180° distribution. Patterns not adjustable in field.

### ELECTRICAL

- All electronic components are UL and CSA recognized and are mounted directly to the component module for maximum heat dissipation and modularity. Driver is IP67 with -30°C minimum temperature rating
- Product comes standrd with a UL Recognized 10kA surge protector

### CONTROLS

- Standard fixtures dimming range is from 10% to 100% and be compatible with 0-10V, user-defined, control devices



Continued on page 3

KEY DATA	
Lumen Range	235–335
Wattage Range	14–28
Reported Life (Hours)	L70/60,000

# LTV8DM

INGRADE

## ORDERING GUIDE

**Example:** LTV81DM-F-24L-4K-UV-RCA81

CATALOG #

### HOUSING

LTV8												
Model		Distribution		Source		Color Temperature		Voltages		Rebar Cage Anchor		
LTV81DM	13" Dia.	F	Full	24L	24 LEDs	3K	3000K	UV	120-277V		RCA81	for LTV81
LTV81DM	13" Dia.	H	Half	12L	12 LEDs	4K	4000K				RCA82	for LTV82
LTV82DM	10-3/8" Dia.	F	Full	18L	18 LEDs	5K	5000K				RCA83	for LTV83
LTV82DM	10-3/8" Dia.	H	Half	9L	9 LEDs							
LTV83DM	7-15/16" Dia.	F	Full	12L	12 LEDs							
LTV83DM	7-15/16" Dia.	H	Half	6L	6 LEDs							

1 All lens options are integral parts of component module and must be installed at factory.

DATE:	LOCATION:
TYPE:	PROJECT:
CATALOG #:	

**SPECIFICATIONS (CONTINUED)****BLUETOOTH:**

- Integral Bluetooth module used to adjust optics and dim fixture to desired setting when paired with KIM LTV8 Remote App via cellular/tablet device
- Fully qualified Bluetooth 1.1, 1.2, 2.0, 2.1. Bluetooth v2.0+EDR compatible with Android devices running Android Gingerbread API level 9 forward. Bluetooth 4.0 LE compatible with iOS devices - iPhone 4S and later, 5th generation iPod touch, the iPad Mini and the 3rd generation and later of the full size iPad with iOS 5 or later
- Bluetooth Apps are available for Apple iOS and Google Android mobile devices and are downloadable via the internet at Apple App Store or Google Play

**CAUTION:**

- Fixtures must be grounded in accordance with national, state and/or local electrical codes. Failure to do so may result in serious personal injury

**CERTIFICATIONS AND LISTINGS**

- Listed to UL1598 and UL8750 25°C ambient operation
- SASO Certified for LTV82/83
- IP68 rated
- IEC 66262 Mechanical Impact Code IK09
- CISPR 15 Compliant, per product standard EN 55015:2013
- RoHS compliant

**WARRANTY**

- 5 year warranty
- See [HLI Standard Warranty](#) for additional information

**LTV8DM**

INGRADE

**DELIVERED LUMENS**

**LTV81DM**

Optical Module	Source	Color Temperature	Absolute Lumens	Center Beam Candle Power*	Voltage	Total System Watts	Beam Angle*	Max. Amps
Full	24L	3K	322	258	UV	28W	13°	.233 for 120V .135 for 208V .117 for 240V .101 for 277V
		4K	332	264				
		5K	335	268				
Half	12L	3K	N/A	N/A				
		4K	N/A	N/A				
		5K	N/A	N/A				

**LTV82DM**

Optical Module	Source	Color Temperature	Absolute Lumens	Center Beam Candle Power*	Voltage	Total System Watts	Beam Angle*	Max. Amps
Full	18L	3K	235	183	UV	22W	15°	.183 for 120V .106 for 208V .092 for 240V .079 for 277V
		4K	241	188				
		5K	243	190				
Half	9L	3K	N/A	N/A				
		4K	N/A	N/A				
		5K	N/A	N/A				

**LTV83DM**

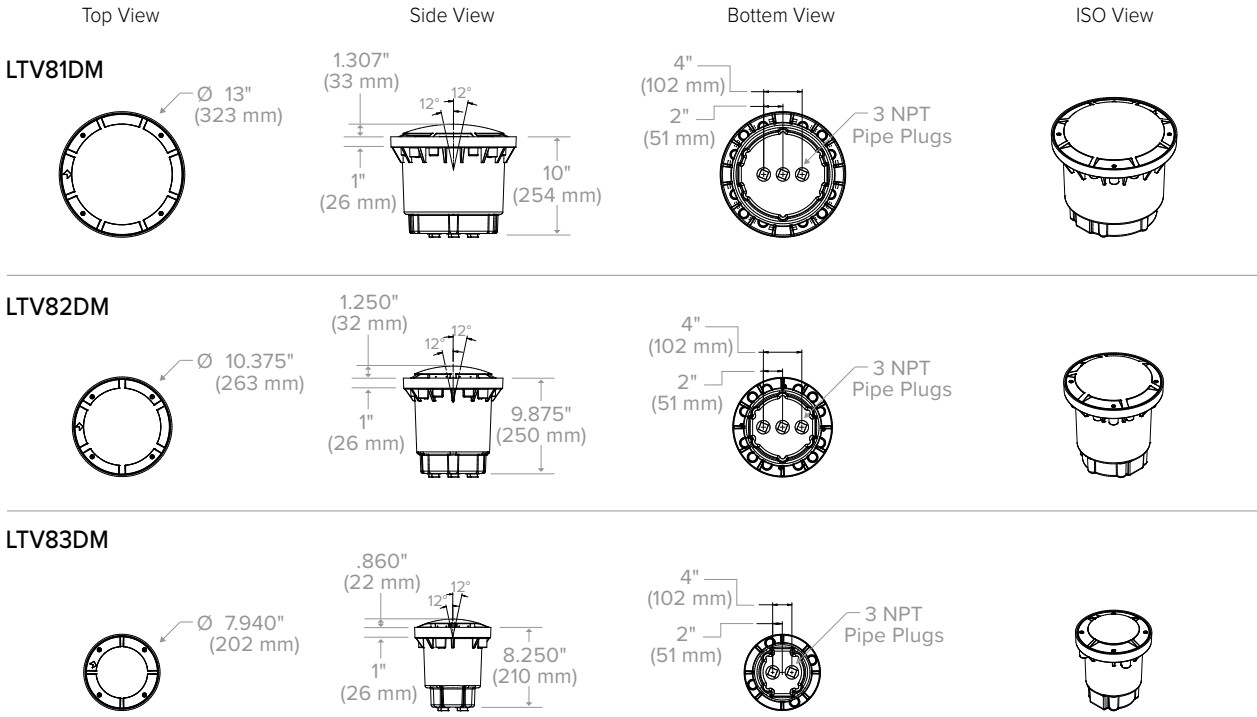
Optical Module	Source	Color Temperature	Absolute Lumens	Center Beam Candle Power*	Voltage	Total System Watts	Beam Angle*	Max. Amps
Full	12L	3K	305	152	UV	14W	20°	.117 for 120V .067 for 208V .058 for 240V .051 for 277V
		4K	313	156				
		5K	317	158				
Half	6L	3K	N/A	N/A				
		4K	N/A	N/A				
		5K	N/A	N/A				

KEY: DMF = Directional Marker Full 360°, DMH = Directional Marker Half 180°, 24L = 24LEDs, 18L = 18 LEDs, 12L = 12 LEDs, 9L = 9 LEDs, 6L = 6 LEDs, 3K = 3,000K, 4K = 4,000K, 5K = 5,000K UV = Universal Voltage shall range from 120V-277V with a ±10% tolerance.  
\* The Candela shown is at 90° from unit.

**LTV8DM**

INGRADE

**DIMENSIONS**



**LIGHT DISTRIBUTIONS:**



**ELECTRICAL DATA**

Spectroradiometric

	3K	4K	5K
Correlated Color Temp. CCT (K)	2800K to 3175K	3800K to 4600K	4600K to 5600K
Color Rendering Index (CRI)	≥72	≥72	≥72
Power Factor	>.90	>.90	>.90

L70 Data

	Calculated	Reported*
350 mA	100,000	60,000

\*Based on test duration.