

## FEATURES

- Available in 4' and 8' lengths
- Reflectors have 18% uplight and 30° transverse shielding
- Spring loaded turret lampholders
- 6" lamp spacing
- For individual or continuous row mounting
- Channel ends double as joiners
- Full depth end closures available

## PROJECT INFORMATION

Project Name \_\_\_\_\_

Type \_\_\_\_\_

Catalog No. \_\_\_\_\_

Date \_\_\_\_\_

## CONSTRUCTION

Heavy steel housing with longitudinal reinforcing ribs for extra strength. Reflector die-embossed with transverse ribs for maximum rigidity. Deep Vee center channel provides 30° crosswise shielding. Smooth, extruded apertures provide 18% uplight.

## CERTIFICATION

All luminaires are built to UL 1598 standards and bear appropriate UL and cUL or CSA labels. Damp location labeling is standard. Emergency-equipped fixtures labeled UL 924.

## FINISH

White painted parts are treated with a five stage phosphate bonding process and finished with a high reflectance baked enamel.

## ELECTRICAL

Standard class "P", thermally protected, auto-resetting HPF ballast, sound rated A. All ballast leads extend a minimum of 6" through access location. NEC/CEC-compliant ballast disconnect is standard.

## ORDERING INFORMATION

## EXAMPLE KL8-296H0-VR-120-GLR

KL	- 2	- VR -	EP	-	-
<b>MODEL</b> KL Premium Industrial	<b>NO. OF LAMPS IN CROSS SECTION</b> 2 Two	<b>REFLECTOR TYPE</b> VR Deep V Reflector Apertured for Uplight (Not available with solid top)	<b>VOLTAGE</b> 120 120V 277 277V 347 347V	<b>OPTIONS</b> GLR Fast Blow Fuse GMF Slow Blow Fuse EL Emergency Battery Pack BC Branch Circuit Plug-on Wiring System (See options section for details.) PAF Paint After Fabrication	
	<b>SIZE</b> 4 4' 8 8'	<b>LAMP TYPE</b> 48H0 4', T12: 60 Watt 96H0 8', T12: 110 or 95 Watt 96T8H0 8', T8: 86 Watt	<b>BALLAST</b> EP Electronic T8, Program Start For others available, see Ballast Options.	<b>ACCESSORIES (ORDER SEPARATELY)</b> KZT Zip Tee Hanger - 1½" spacer on T-bar ceiling KTH Slide Clamp Tong Hanger S18 18" Stem, canopy and 8° aligner SS18 18", 45° Swivel Stem & Canopy KHC 24" Chain Hanging Assembly KLEC Full Depth End Closure KLWG4 Wire Guard 4' lg. - 2 required per 8' fixture OS1360K Occupancy/Daylight sensor kit, 120/277/347V, one relay, 360 Lens, snap on drop down adaptor, quick connect wiring <sup>1</sup>	

<sup>1</sup> Use programmed start ballast. Not recommended for use with instant start. For more occupancy/daylight harvesting sensor accessories see Technical section.

## PHOTOMETRIC DATA

### LUMINAIRE DATA

Luminaire	KL8-296HO-VR-PAF KL Industrial 1' x 8' 2-Lamp Industrial with Apertured PAF "V" Reflector
Ballast	480-X-LH-TC-P
Ballast Factor	0.95
Lamp	F96/HO
Lumens per Lamp	8800
Watts	252
Shielding Angle	N/A
Spacing Criterion	0° = 1.26 90° = 1.31
Luminous Opening in Feet	Length: 8.00 Width: 0.88 Height: 0.00

### ZONAL LUMEN SUMMARY

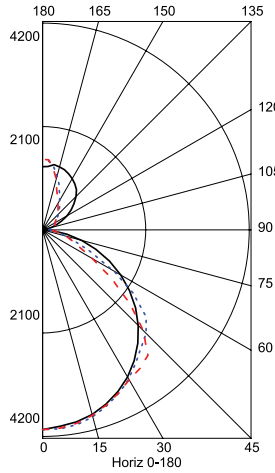
Zone	Lumens	% Lamp	% Fixt.
0-30	3179	18.1	22.5
0-40	5266	29.9	37.3
0-60	9327	53.0	66.0
0-90	11425	64.9	80.9
90-120	635	3.6	4.5
90-130	981	5.6	6.9
90-150	1827	10.4	12.9
90-180	2700	15.3	19.1
0-180	14125	80.3	100.0

Test 11299 Test Date 1/8/03

### ENERGY DATA

Total Luminaire Efficiency	80.3%
Luminaire Efficacy Rating (LER)	53
IESNA RP-1-1993 Compliance	Non-Compliant
Comparative Yearly Lighting Energy Cost per 1000 Lumens	\$4.53 based on 3000 hrs. and \$0.08 per KWH

### INDOOR CANDELA PLOT



### AVG. LUMINANCE (Candela/Sq. M.)

Average Luminance Angle	0.0	22.5	45.0	67.5	90.0
0	6198	6198	6198	6198	6198
30	6093	6130	6170	6181	6207
40	6000	6054	6221	6585	6636
45	5938	6007	6424	6457	6247
50	5863	5975	6532	5759	5466
55	5742	5923	5992	4862	4518
60	5611	6088	5128	3822	3553
65	5423	6187	4045	3126	2996
70	5154	5405	3192	2892	2879
75	4844	4082	2960	2853	2889
80	4359	3196	3011	3011	3064
85	3544	3491	3702	4000	4000

### COEFFICIENTS OF UTILIZATION (%)

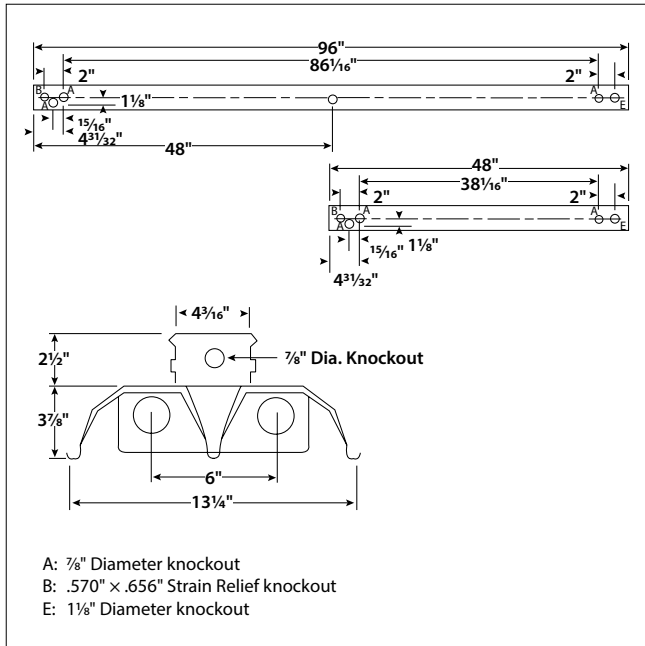
RCR	RC	80										70										50										0									
		RW	70	50	30	10	70	50	30	10	50	30	10	0	70	50	30	10	50	30	10	0	70	50	30	10	50	30	10	0											
1	81	80	77	74	80	77	74	72	71	69	66	55	81	77	74	72	71	69	66	55	81	77	74	72	71	69	66	55													
2	77	70	65	61	73	67	63	59	62	58	55	46	77	70	65	61	67	63	59	62	58	55	46	77	70	65	61	67	63	59	62	58	55	46							
3	70	62	56	51	67	59	54	49	55	50	46	39	70	62	56	51	59	54	49	55	50	46	39	70	62	56	51	59	54	49	55	50	46	39							
4	64	55	48	43	61	53	47	42	49	44	40	33	64	55	48	43	53	47	42	49	44	40	33	64	55	48	43	53	47	42	49	44	40	33							
5	59	49	42	37	56	47	41	36	44	38	34	29	59	49	42	37	47	41	36	44	38	34	29	59	49	42	37	47	41	36	44	38	34	29							
6	54	44	37	32	52	42	36	31	39	34	30	25	54	44	37	32	42	36	31	39	34	30	25	54	44	37	32	42	36	31	39	34	30	25							
7	50	40	33	28	48	38	32	28	36	30	26	22	50	40	33	28	38	32	28	36	30	26	22	50	40	33	28	38	32	28	36	30	26	22							
8	47	36	30	25	45	35	29	25	33	27	24	20	47	36	30	25	35	29	25	33	27	24	20	47	36	30	25	35	29	25	33	27	24	20							
9	44	33	27	22	42	32	26	22	30	25	24	18	44	33	27	22	32	26	22	30	25	24	18	44	33	27	22	32	26	22	30	25	24	18							
10	41	30	24	20	39	30	24	20	28	23	19	16	41	30	24	20	30	24	20	28	23	19	16	41	30	24	20	30	24	20	28	23	19	16							

RCR = Room Cavity Ratio

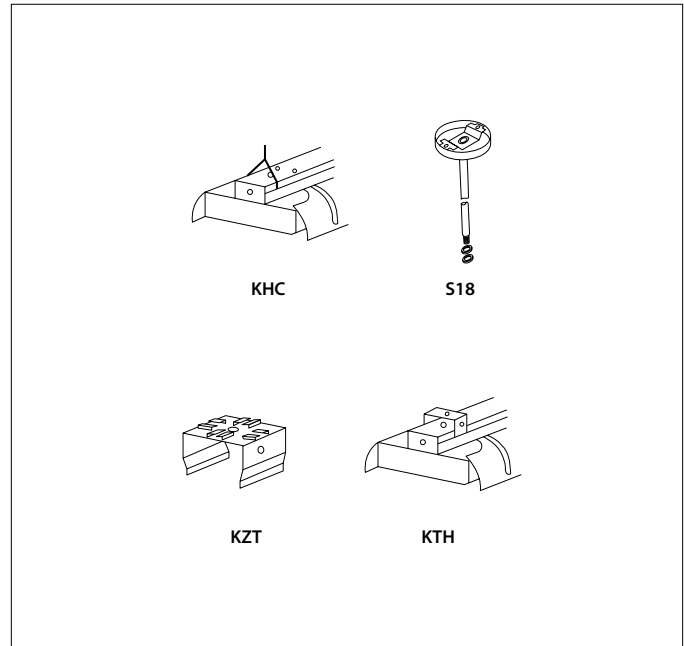
RC = Effective Ceiling Cavity Reflectance RW = Wall Reflectance

0.0 ——— 45.0 - - - - - 90.0 - - - - -

### DIMENSIONAL DATA



### MOUNTING ACCESSORIES



**NOTE:** All dimensions are in inches; dimensions and specifications are subject to change without notice. Please consult factory or check sample for verification.