

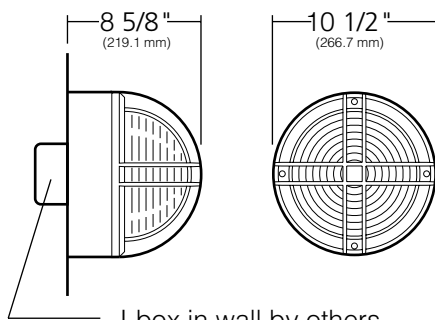
Type:
 Job:
 Catalog number:

Approvals:

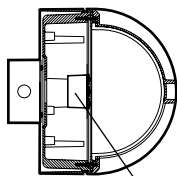
WF21	/	/	/	/
Fixture	Lens	Electrical Module	Finish	Options
See page 2				See page 2

Date:
 Page: 1 of 2

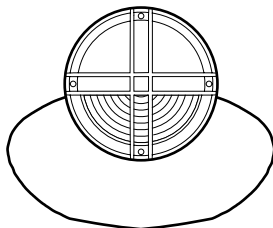
Specifications



J-box in wall by others.
**Half Face
 Surface Mount**



WF21 with LED



Light distribution
 Half Face

Surface Mount: Die-cast, low copper (<0.6% Cu) aluminum alloy with double side walls. Zinc plated steel mounting plate supplied for mounting to standard 3" or 4" junction box.

Face Plate: Solid upper half. Die-cast, low copper (<0.6% Cu) aluminum alloy with vertical and horizontal double ribs covering the full hemisphere. Ribs are minimum 5/8" depth and 3/16" thickness. Secures to housing with four stainless steel captive socket head screws.

Lens: Molded and heat treated glass, 3/16" minimum thickness with internal sandblast. Retained in face plate and sealed with a one-piece silicone gasket. Choice of smooth (**S**) or internal prisms (**P**).

LED Optical System: A total of 9 LED emitters configured in a rectangular array comprised together as a module. One (1) module for 9 LED version and two (2) modules for 18 LED version. Available in 580nm (Amber), 3000K, 4200K and 5100K.

LED Driver: Rated for 9 or 18 LED. Universal voltage from 120 to 277V with a ±10% tolerance. -40°F starting temperature. All drivers are Underwriters Laboratories recognized.

Finish: Each luminaire receives a fade and abrasion resistant, electrostatically applied, thermally cured, triglycidal isocyanurate (TGIC) polyester powdercoat finish.

Finishing Items: Electrical modules and face plates. Each set of finishing items shall be in one container, clearly marked with the fixture catalog number.

CAUTION: Fixtures must be grounded in accordance with national, state, and/or local electrical codes. Failure to do so may result in serious personal injury..

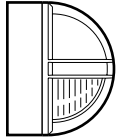
U.S. PATENTS: D385,054, D381,452, D378,621

Listings and Ratings			
ETL ¹ to UL Standards 1598 & 875	IP66 Rated	CE	25C Ambient



¹Suitable for wet locations
 KIM LIGHTING RESERVES THE RIGHT TO CHANGE SPECIFICATIONS WITHOUT NOTICE.

Type:

Job:



Standard Features

Fixture —	Cat. No. WF21																													
Lens Cat. No. <input type="checkbox"/> S <input type="checkbox"/> P	Molded and heat treated glass, 3/16" minimum thickness with internal sandblast. Retained in face plate and sealed with a one-piece silicone gasket. Choice of smooth (S) or internally prisms (P)”																													
		 Smooth	 Prismed																											
Electrical Module	<table border="0"> <tr> <td><input type="checkbox"/> 9L2KUV¹</td> <td><input type="checkbox"/> 18L2KUV¹</td> </tr> <tr> <td><input type="checkbox"/> 9L3KUV¹</td> <td><input type="checkbox"/> 18L3KUV¹</td> </tr> <tr> <td><input type="checkbox"/> 9L5KUV¹</td> <td><input type="checkbox"/> 18L5KUV¹</td> </tr> </table> <p>¹For LED, 9L = 9LED Emitters; 18L = 18 LED Emitters; 2K = 580nm - Amber color temperature; 3K = 3000K color temperature; 5K = 5000K color temperature; UV = Universal Voltage from 120 to 277V with a ± 10% tolerance.</p>		<input type="checkbox"/> 9L2KUV ¹	<input type="checkbox"/> 18L2KUV ¹	<input type="checkbox"/> 9L3KUV ¹	<input type="checkbox"/> 18L3KUV ¹	<input type="checkbox"/> 9L5KUV ¹	<input type="checkbox"/> 18L5KUV ¹																						
<input type="checkbox"/> 9L2KUV ¹	<input type="checkbox"/> 18L2KUV ¹																													
<input type="checkbox"/> 9L3KUV ¹	<input type="checkbox"/> 18L3KUV ¹																													
<input type="checkbox"/> 9L5KUV ¹	<input type="checkbox"/> 18L5KUV ¹																													
Finish TGIC powder coat	<table border="0"> <tr> <td>Cat. No.:</td> <td>Color:</td> <td>Cat. No.:</td> <td>Color:</td> </tr> <tr> <td><input type="checkbox"/> BLS</td> <td>Black Gloss Smooth</td> <td><input type="checkbox"/> LGT</td> <td>Light Grey Matte Textured</td> </tr> <tr> <td><input type="checkbox"/> BLT</td> <td>Black Matte Textured</td> <td><input type="checkbox"/> PSS</td> <td>Platinum Silver Gloss Smooth</td> </tr> <tr> <td><input type="checkbox"/> DBS</td> <td>Dark Bronze Gloss Smooth</td> <td><input type="checkbox"/> VGT</td> <td>Verde Green Matte Textured</td> </tr> <tr> <td><input type="checkbox"/> DBT</td> <td>Dark Bronze Matte Textured</td> <td><input type="checkbox"/> WHS</td> <td>White Gloss Smooth</td> </tr> <tr> <td><input type="checkbox"/> GTT</td> <td>Graphic Matte Textured</td> <td><input type="checkbox"/> WHT</td> <td>White Matte Textured</td> </tr> <tr> <td><input type="checkbox"/> LGS</td> <td>Light Grey Gloss Smooth</td> <td><input type="checkbox"/> CC¹</td> <td>Custom Color</td> </tr> </table> <p>¹Custom colors subject to additional charges, minimum quantities and extended lead times. Consult representative. Custom color description: _____</p>		Cat. No.:	Color:	Cat. No.:	Color:	<input type="checkbox"/> BLS	Black Gloss Smooth	<input type="checkbox"/> LGT	Light Grey Matte Textured	<input type="checkbox"/> BLT	Black Matte Textured	<input type="checkbox"/> PSS	Platinum Silver Gloss Smooth	<input type="checkbox"/> DBS	Dark Bronze Gloss Smooth	<input type="checkbox"/> VGT	Verde Green Matte Textured	<input type="checkbox"/> DBT	Dark Bronze Matte Textured	<input type="checkbox"/> WHS	White Gloss Smooth	<input type="checkbox"/> GTT	Graphic Matte Textured	<input type="checkbox"/> WHT	White Matte Textured	<input type="checkbox"/> LGS	Light Grey Gloss Smooth	<input type="checkbox"/> CC ¹	Custom Color
Cat. No.:	Color:	Cat. No.:	Color:																											
<input type="checkbox"/> BLS	Black Gloss Smooth	<input type="checkbox"/> LGT	Light Grey Matte Textured																											
<input type="checkbox"/> BLT	Black Matte Textured	<input type="checkbox"/> PSS	Platinum Silver Gloss Smooth																											
<input type="checkbox"/> DBS	Dark Bronze Gloss Smooth	<input type="checkbox"/> VGT	Verde Green Matte Textured																											
<input type="checkbox"/> DBT	Dark Bronze Matte Textured	<input type="checkbox"/> WHS	White Gloss Smooth																											
<input type="checkbox"/> GTT	Graphic Matte Textured	<input type="checkbox"/> WHT	White Matte Textured																											
<input type="checkbox"/> LGS	Light Grey Gloss Smooth	<input type="checkbox"/> CC ¹	Custom Color																											

Optional Features

Fusing Cat. No. <input type="checkbox"/> SF <input type="checkbox"/> No Option	Single fusing for 120V, 277V, and 347V primary.	
---	---	--