



## D4216 Medium 45°

4 1/2" x 8 1/2" Rectangular Directional Downlight  
1100, 1500, 2100, and 2800 lumen  
Two Xicato® Remote Phosphor Modules

### OPTICS and APPLICATIONS

Independent directional systems are designed with locking capability to rotate 180° and angulate 30°. Beam distributions can be changed in the field.

Crossing the beams creates interesting effects. Illuminate two different objects from one fixture. Medium beam distribution is standard. See accessories for narrow and wide distribution options.

### DESIGN FEATURES - MultiSource® Capable

Fixture housings are designed with MultiSource® plug and play connectors allowing field conversion to other sources. New lighting technologies will be incorporated as they become available. Proprietary passive heat sinks ensure proper temperatures are maintained. Pressure springs assure tight trim to ceiling fit. Service from below only. Maximum ceiling thickness is 7/8".

### MODULES and DRIVERS

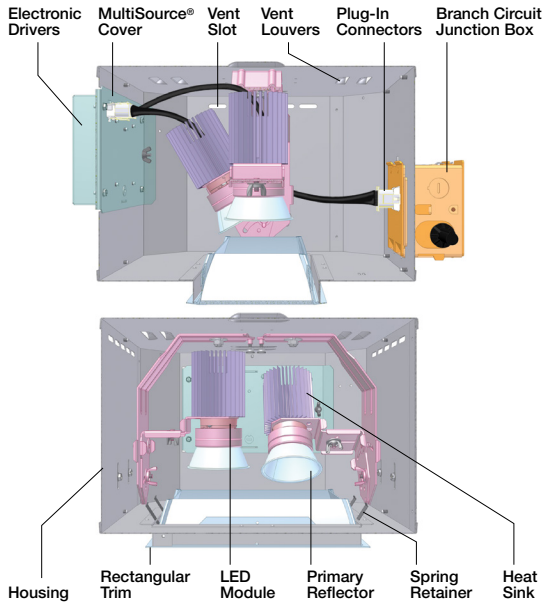
Xicato® modules provide excellent even, stable color and increased fixture efficiencies. The LED module holds color consistency within 1x2 MacAdam Ellipses. Standard 83 CRI. Dimming is standard 0-10V/10%. Rated life is 50,000 hours at 70% lumen output.

### FINISH

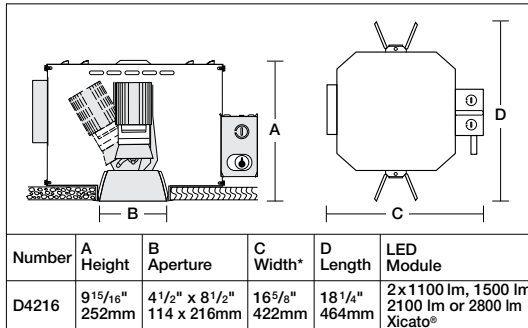
Standard trim is anodized Softglow® clear. SoftSheen™ is a new finish that lowers apparent increased brightness due to remote phosphor sources. Colors available, see options below. Steel parts are phosphate conditioned then painted matte black to suppress light leaks.

### GENERAL

Fixture is pre-wired and thermal protected. UL and/or CSA certified to US and Canadian standards. Suitable for damp locations. Approved for eight wire 90°C branch circuit wiring. All products are union made. Designed and manufactured in the USA.



### DIMENSIONS and SOURCES



\*For Lutron dimming use 17 5/8".

### WARRANTY

5 Year Warranty. See [www.kurtversen.com](http://www.kurtversen.com) for details or select hyperlink.

### ENERGY INFORMATION

Fixture	Module Lumens	Delivered Lumens	Wattage	lm/W
D4216	1100	1583	20	79.2
	1500	2159	30	72.0
	2100	3022	44	68.7
	2800	4030	64	63.0

### ORDERING GUIDE

Base Specification (required) Example: D4216-113012D					Options (optional)														
Model	Source Lumens	Kelvin	Volts	Dimming	CRI	Trim Finish	Trim Color	Lens Options	Fixed Optics	Beam Distribution	Wiring	Trim Paint	Flush Mount	Fuse	Support Rails				
D4216	11	1100	27	2700K	12	120V	D	Standard 0-10V, to 10%.	Standard 80 CRI	Standard Softglow® (S)	Standard Clear (C)	Standard adjustable	Standard medium beam	Standard single circuit	Standard white	Standard with flange	F Fuse.	R2 26"	
	15	1500	30	3000K	27	277V	D1	Hi-lume 1% 3-wire LED driver	AS <sup>1</sup> 95 CRI.	SS SoftSheen™	B Black	LL Linear lens.	ND Narrow beam distribution.	WT White	FMR4 Flush mount drywall.		R5 52"		
	21	2100	35	3500K			DE	Hi-lume 1% EcoSystem LED driver.			G Gold	SO Solite lens.	WD Wide beam distribution.	WHT White Trim, complete.					
	28	2800	40	4000K			DM01	0-10V to 0.1%.			W Wheat	LLFR Linear lens frosted							
							DM1 <sup>2</sup>	0-10V to 1%.			Y Pewter	SOFR	Solite lens frosted.						

### OPTION NOTES

1. Artist Series® 95 +/-3 CRI modules to 1100 lm. Contact factory for energy information.
2. Not available with 2800 lm.

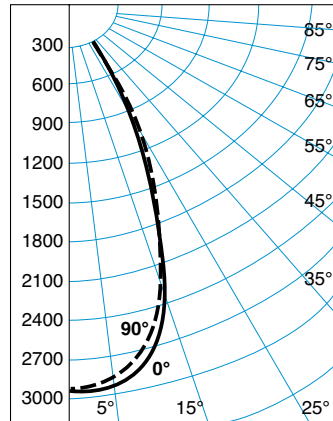
# D4216 Medium 45°

Cut out dimensions: 5<sup>5/32</sup>"x9<sup>5/32</sup>". Outer flange dimension:

## Footcandle Values at Nadir, Fixtures Mounted in 15° Slope

Distance	5'						10'						15'						20'					
	Nadir		10°		15°		Nadir		10°		15°		Nadir		10°		15°		Nadir		10°		15°	
Lamps	FC	FC Diam	FC	Diam	FC	Diam	FC	FC Diam	FC	Diam	FC	FC Diam	FC	FC Diam	FC	FC Diam	FC	FC Diam	FC	FC Diam	FC	FC Diam		
D4216 1100 lm 3000K	118	104 2'	83	3'	30	26 4'	21	5'	13	12 5'	9	8'	7	7 7'	5	11'								
D4216 1500 lm 3000K	159	142 2'	115	3'	40	35 4'	29	5'	18	16 5'	13	8'	10	9 7'	7	11'								

### Candlepower Distribution

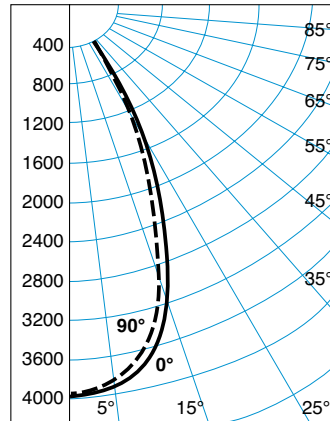


D4216 1100 lm 3000K  
LER 50.9 S/M 0° .7  
S/M 90° .7

### Candelas

°	0°	90°
	o	1625*
0	2958	2958
5	2945	2914
10	2758	2698
15	2340	2267
20	1678	1679
25	836	1130
30	403	593
35	108	253
40	63	107
45	38	25
50	28	15
55	20	10
60	15	7
65	12	4
70	10	3
75	8	3
80	6	3
85	4	2
90	0	0

°Vertical Angles  
\*Luminaire Lumens



D4216 1500 lm 3000K  
LER 40.7 S/M 0° .6  
S/M 90° .6

°	0°	90°
	o	1871*
0	3971	3971
5	3928	3843
10	3707	3513
15	3185	2834
20	2179	1958
25	1474	1240
30	1054	536
35	354	244
40	134	73
45	93	23
50	65	13
55	45	9
60	33	4
65	25	1
70	19	0
75	14	0
80	10	0
85	6	0
90	0	0

°Vertical Angles  
\*Luminaire Lumens

### Notes

- 1 Photometric Report: D4216 1100 lm KV Report No. 71113-A, D4216 1500 lm LTL Report No. 260910.
- 2 Data with Softglow® trim.
- 3 Colored trim multipliers vary with beam orientation and degree of angulation. Contact the factory for specific data.
- 4 All data derived with fixtures mounted in 15° sloped ceiling.