



D4646 Patent Pending

4 1/2" x 9 1/2" Rectangular Double Lens Wall Washer
1100, 1500, 2100, and 2800 lumen
Two Xicato® Remote Phosphor

OPTICS and APPLICATIONS

LED wall washers are designed to illuminate walls uniformly with soft photometric patterns with excellent deep-shielded brightness control. Kicker reflectors redirect spill light through the frosted Solite lenses. The rectangular shape uses two LED remote phosphor sources for uniform brightness on the lenses producing wide lateral spread and even illumination on opposing walls.

DESIGN FEATURES - MultiSource® Capable

Fixture housings are designed with MultiSource® plug and play connectors allowing field conversion to other sources. New lighting technologies will be incorporated as they become available. Proprietary passive heat sinks ensure proper temperatures are maintained. Torsion springs assure tight trim to ceiling fit. Service from below only. Maximum ceiling thickness is 7/8".

MODULES and DRIVERS

Two Xicato® remote phosphor modules use high efficiency blue LEDs that convert to white light when directed through a phosphor lens. The Xicato® holds color consistency within 1x2 MacAdam Ellipses. Standard 80 CRI. Dimming is standard 0-10V/10%. Rated life is 50,000 hours at 70% lumen output.

FINISH

Standard trim is anodized Softglow® clear. SoftSheen™ is a new finish that lowers apparent increased brightness due to remote phosphor sources. Colors available, see options below. Steel parts are phosphate conditioned then painted matte black to suppress light leaks.

GENERAL

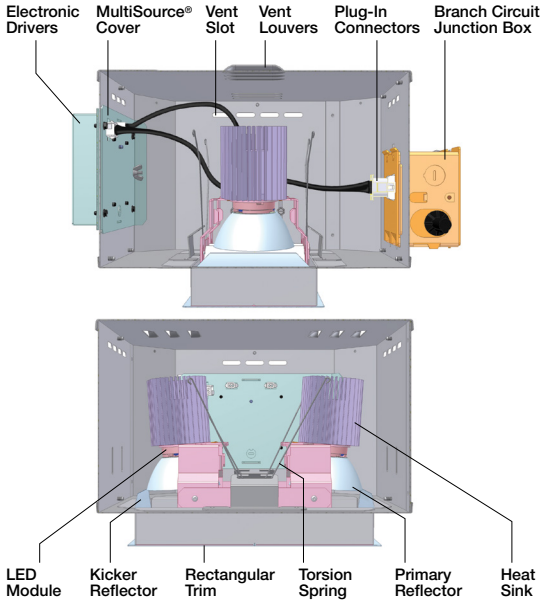
Fixture is pre-wired and thermal protected. UL and/or CSA certified to US and Canadian standards. Suitable for damp locations. Approved for eight wire 90°C branch circuit wiring. All products are union made. Designed and manufactured in the USA.

WARRANTY

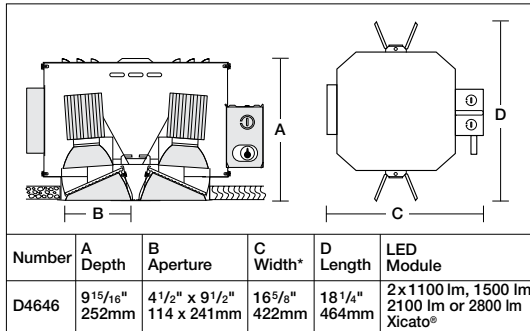
5 Year Warranty. See www.kurtversen.com for details or select hyperlink.

ENERGY INFORMATION

Fixture	Module Lumens	Delivered Lumens	Wattage	lm/W
D4646	1100	1252	20	62.6
	1500	1708	30	56.9
	2100	2391	44	54.3
	2800	3188	64	49.8



DIMENSIONS and SOURCES



*For Lutron dimming use 17 5/8".

ORDERING GUIDE

Base Specification (required) Example: D4646-153012D				Options (optional)									
Model	Source Lumens	Kelvin	Volts	Dimming	CRI	Trim Finish	Trim Color	Lens Options	Wiring	Trim Paint	Flush Mount	Fuse	Support Rails
D4646	11 1100	27 2700K	12 120V	D Standard 0-10V, to 10%. DM1 0-10V to 1% D1 Hi-lume 1% 3-wire LED driver DE Hi-lume 1% EcoSystem LED driver. DM01 0-10V to .1% DALI 2 to 1%	Standard 80 CRI AS ¹ 95 CRI.	Standard Softglow® (S) SS SoftSheen™	B Black G Gold W Wheat Y Pewter	SO Solite lens. LL Linear lens. LLFR Linear lens frosted.	Standard Single Circuit DCE Double circuiting.	Standard clear WT White Flange. WHT White Trim, complete.	Standard with flange FMT4 Flush mount drywall.	F Fuse.	R2 26" R5 52" <i>Products designated FMT4 provided with FMBKT</i>
	15 1500	30 3000K	27 277V										
	21 2100	35 3500K											
	28 2800	40 4000K											

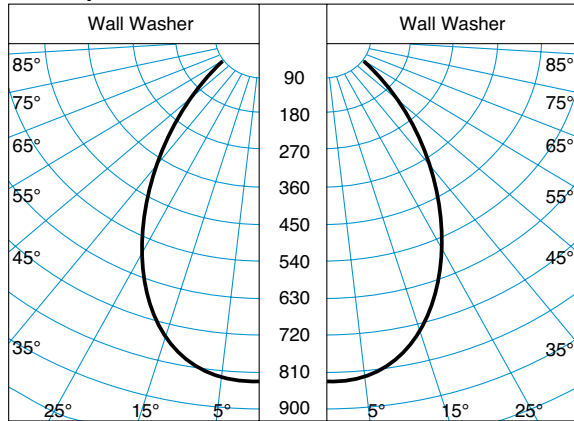
OPTION NOTES

- Artist Series® 95 +/-3 CRI modules to 1100 lm. Contact factory for energy information.
- Not available with 2800 lm.

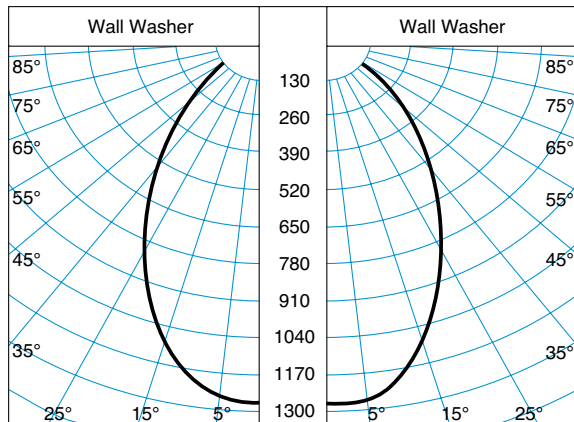
D4646

Cut out dimensions: 5⁵/₃₂" x 10⁹/₃₂". Outer flange dimension:

Candlepower Distribution Curves



D4646 Xicato® 1100 lm 3000K Lens Wall Washer



D4646 Xicato® 1500 lm 3000K Lens Wall Washer

Multiple Units Footcandles

From Ceiling	5' wide corridor					
	4' Centers		5' Centers		6' Centers	
	CL	Mid	CL	Mid	CL	Mid
1'	5	2	5	1	5	1
2'	10	5	10	3	10	2
3'	14	9	13	6	13	3
4'	12	11	11	8	11	5
5'	10	10	9	7	8	5
6'	8	8	7	6	6	5
7'	7	7	5	5	5	4
8'	5	5	4	4	4	4
9'	4	4	4	4	3	3
10'	3	3	3	3	2	2

From Ceiling	5' wide corridor					
	4' Centers		5' Centers		6' Centers	
	CL	Mid	CL	Mid	CL	Mid
1'	10	2	9	1	9	1
2'	17	7	17	4	16	2
3'	20	13	19	8	19	4
4'	18	15	16	10	16	6
5'	14	13	12	10	12	7
6'	12	11	10	9	9	6
7'	10	9	8	7	7	6
8'	8	8	6	6	6	5
9'	7	6	5	5	4	4
10'	5	5	4	4	4	4

Notes

- 1 Photometric Report: D4646 1100 lm KV Report No. 70813, D4646 1500 lm LTL Report No. 260909.
- 2 Data are cosine corrected to the plane of the wall. Uncorrected data are much higher and depend upon the angle of incidence to the wall which varies with the mounting distance from the wall.
- 3 Optional colors are on trims only. Kicker reflectors are clear Alzak for output and color rendition. Use multipliers for brightness and downlight data. Multiple units data are correct as shown.
- 4 SoftSheen™ trim multipliers, contact factory.
- 5 Softglow® colored trim multipliers, contact factory.
- 6 Kurt Versen wall washers minimize hard shadow lines at the ceiling. Intensity increases gradually to just above eye level. The ceiling shadow line is straight and the illuminated field is uniform, devoid of hot spots, striations and spikes.
- 7 The luminous efficacy (lm/W) refers to the total measured luminous flux (lumens) of the fixture divided by the total measured electrical input power (watts) of the complete fixture.